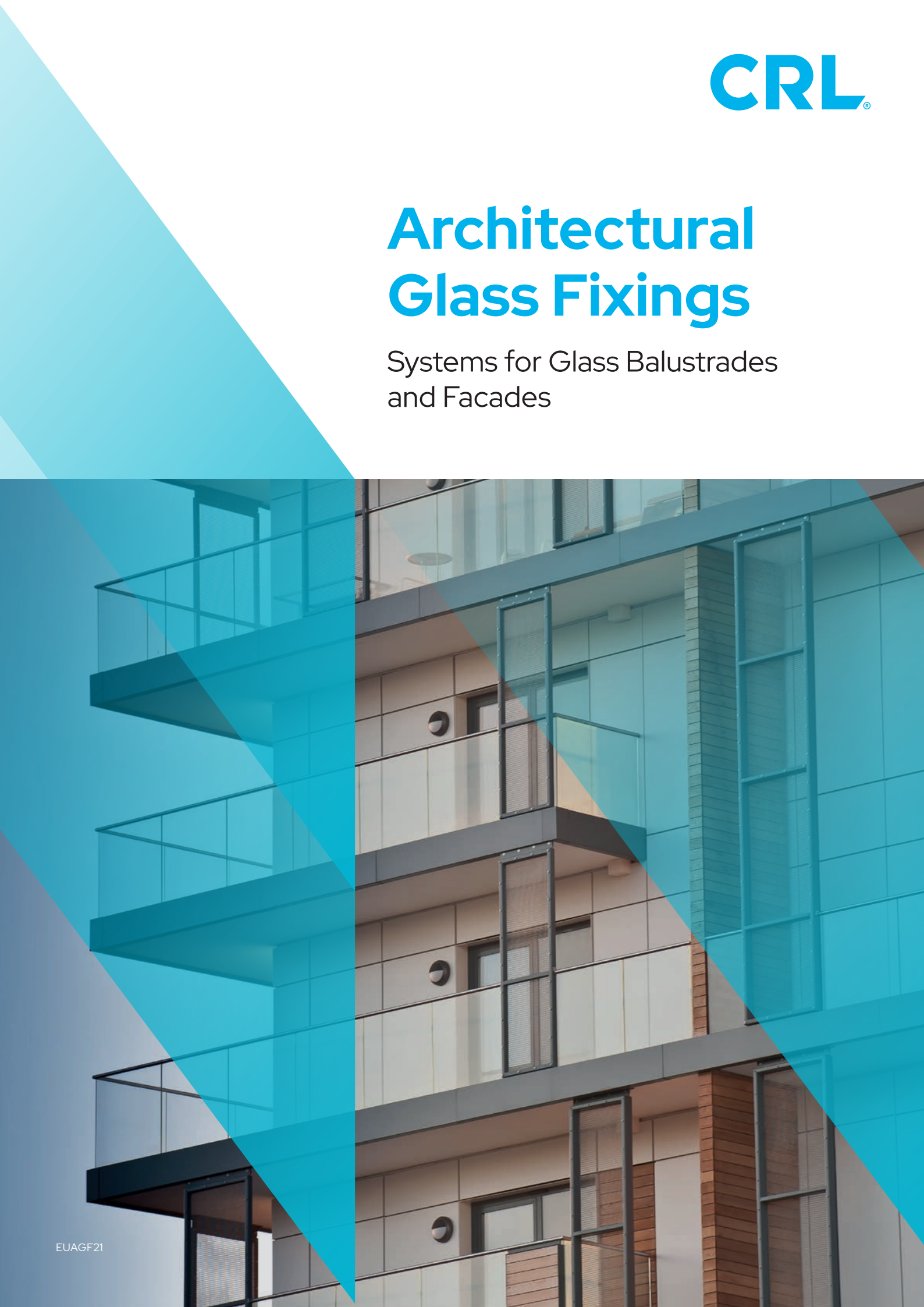


# Architectural Glass Fixings

Systems for Glass Balustrades  
and Facades







## Contents

**Posiglaze** 4-13

**TAPER-LOC** 14-37

**MEGArip** 38-45

**Cap Rails & Hand Rails** 46-51

**Spig-Lite Pro** 52-57

**Frameless Windscreen System** 58-63

**Juliette Balcony** 64-65

**Paris Balcony** 66-67

**Post Railing System** 68-79

**Standoffs** 80-83

**Glass Clamps** 84 - 95

**Al-Wall** 96 - 97

**Spider Fixings** 98-113

**Glass Awning Support System** 114-123

**Cleaning & Surface Protection** 124-125

**Accessories** 126 - 127

**CRL**®



## CRL Posiglaze

CRL Posiglaze is a fully adjustable glass balustrade system that uses a unique clamping design and a quick and easy adjustable method to align glass panels when a handrail is not desired.



# CRL Posiglaze - the fully adjustable aluminium railing system

### FAST INSTALLATION

Designed to be installed without the need of ensuring the fitting surface is totally level.

### FULLY ADJUSTABLE AFTER INSTALLATION

Posiglaze uses a unique, simple adjustment system allowing horizontal alignment of each glass panel.

### LIGHT WEIGHT AND EXTREMELY STRONG

Cleverly designed out of extruded aluminium, saving weight yet keeping strength. For added protection we anodise our system increasing protection against the elements.

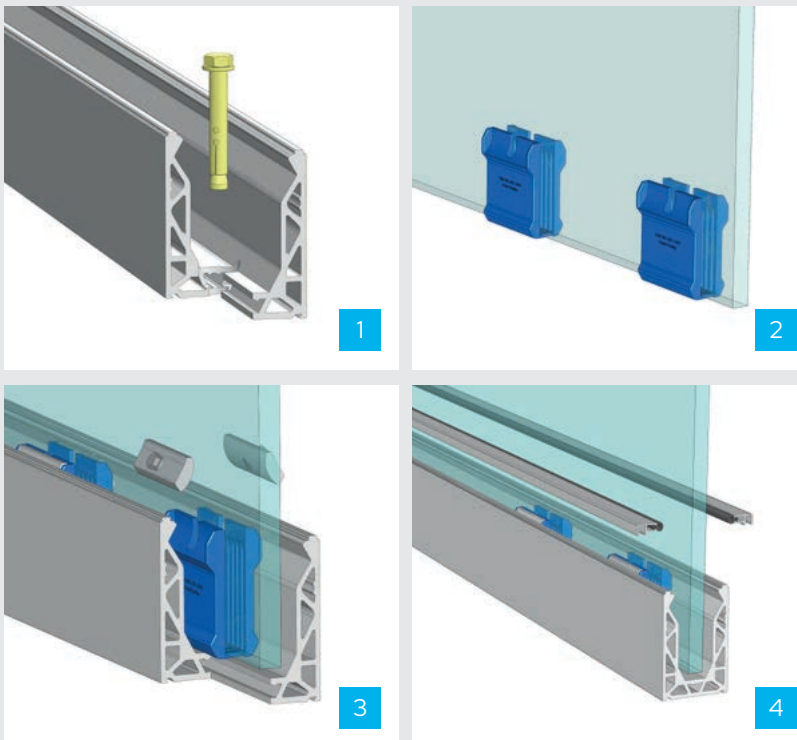
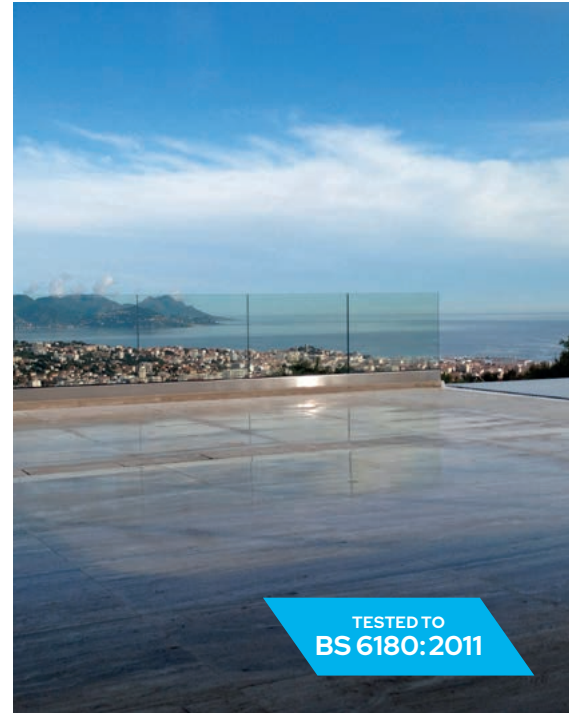
### EXCELLENTLY ENGINEERED

Our system is tested & engineered to meet the strictest building regulations (with the appropriate fixing and glass thickness) in both domestic and commercial installations as per BSi standard 6180:2011.

### GLASS THICKNESSES

- 12 mm, 15 mm and 19 mm toughened monolithic glass
- 13.52 mm, 17.52 mm and 21.52 mm toughened laminated glass

**NOTE:** ALL GLASS CLAMPS HAVE A 1mm TOLERANCE TO ACCEPT VARYING INTERLAYER THICKNESSES



### Posiglaze: easy to install, easy to adjust

#### STEP 1

Fit the base channel (D1) to the substructure.

#### STEP 2

Clip the glass slip clamps (D2) to the bottom edge of the glass panel (We provide different sized clamps for different glass thicknesses).

Place the bolt screws in the pivot clamp (D3).

#### STEP 3

Position the glass in the channel. Using the adjustment bolts; loosening one side and tightening the other.

This will allow the alignment of the glass with the adjacent panel and enable vertical alignment of the glass.

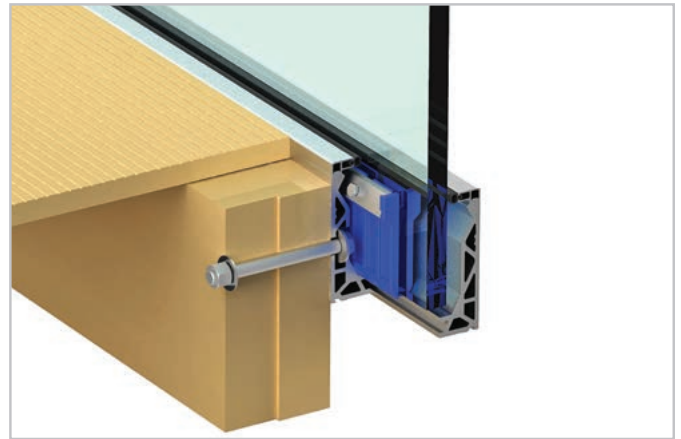
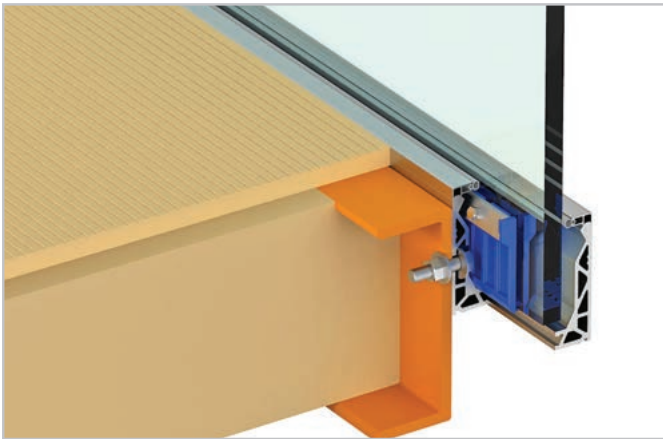
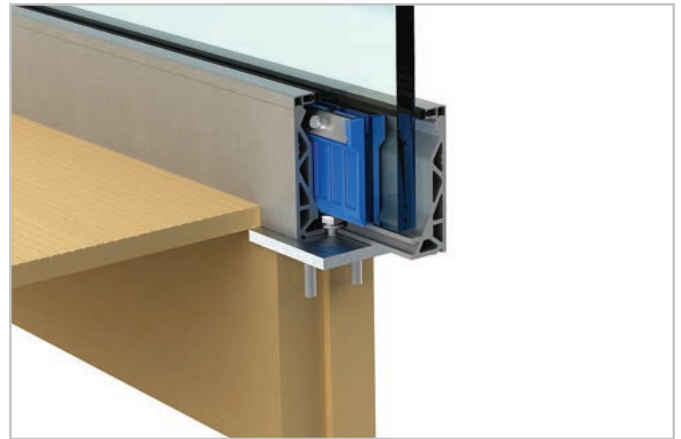
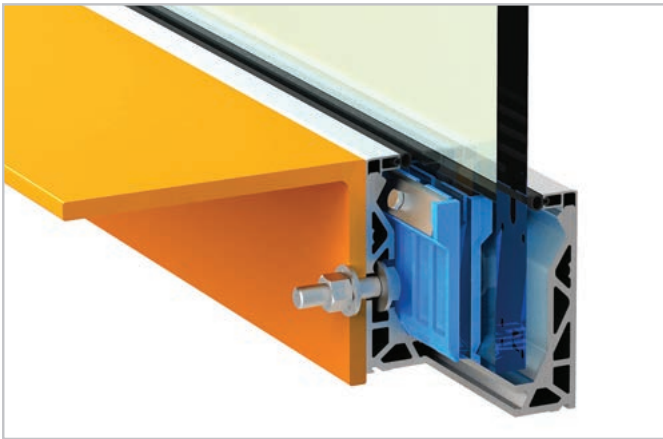
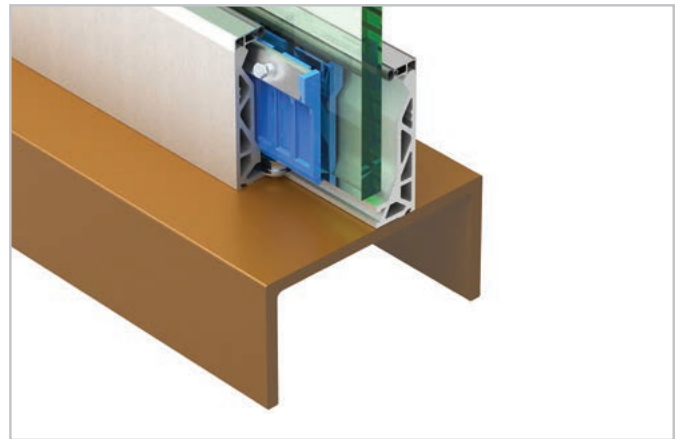
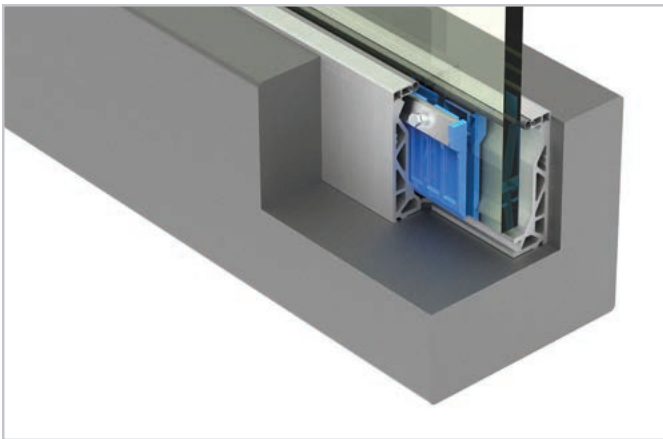
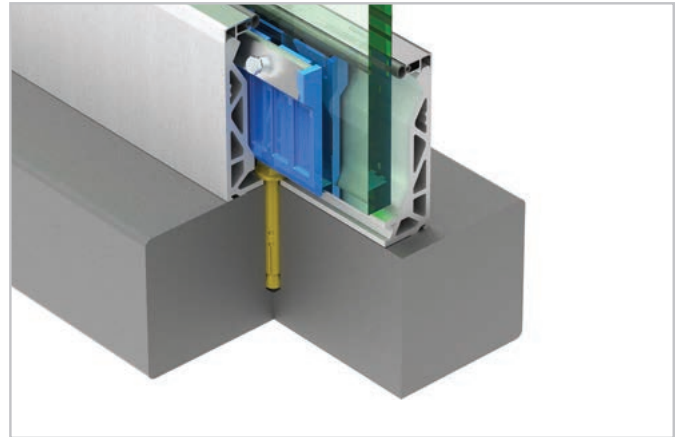
#### STEP 4

Attach the cover strip (D4) and bead gasket to complete the installation.

## CRL Posiglaze Typical Installations

**CRL Posiglaze is suitable for many applications from residential to commercial settings.**

The surface mount and the fascia mount base shoes can both accommodate 12 mm to 21.52 mm glass thanks to the unique clamp kit design, providing many practical advantages over other systems on the market.



# CRL Posiglaze Typical Installations

## Concrete Substrate

### Surface Mounted Base Shoe

GLASS THICKNESS	BASE SHOE CAT. NO.	PREDRILLED 1ST HOLE DISTANCE FROM EDGE OF BASE SHOE (MM)	PREDRILLED CENTRE-TO-CENTRE HOLE DISTANCE (MM)	FIXING HOLE CENTRES USED (MM)	# OF CLAMPS PER M
12 mm toughened monolithic	EPGDSV	100	200	400	3
15 mm toughened monolithic	EPGDSV	100	200	400	4
19 mm toughened monolithic	EPGDSV	100	200	200	4
13.52 mm toughened laminated SGP Interlayer	EPGDSV	100	200	400	3
17.52 mm toughened laminated PVB Interlayer	EPGDSV	100	200	400	4
21.52 mm toughened laminated PVB Interlayer	EPGDSV	100	200	400	4
21.52 mm toughened laminated SGP Interlayer	EPGDSV	100	200	200	4

### Fascia Mounted Base Shoe

GLASS THICKNESS	BASE SHOE CAT. NO.	PREDRILLED 1ST HOLE DISTANCE FROM EDGE OF BASE SHOE (MM)	PREDRILLED CENTRE-TO-CENTRE HOLE DISTANCE (MM)	FIXING HOLE CENTRES USED (MM)	# OF CLAMPS PER M
12 mm toughened monolithic	EPGFA	100	200	400	3
15 mm toughened monolithic	EPGFA	100	200	400	4
19 mm toughened monolithic	EPGFA	100	200	200	4
13.52 mm toughened laminated SGP Interlayer	EPGFA	100	200	400	3
17.52 mm toughened laminated PVB Interlayer	EPGFA	100	200	400	4
21.52 mm toughened laminated PVB Interlayer	EPGFA	100	200	200	4
21.52 mm toughened laminated SGP Interlayer	EPGFA	100	200	200	5

## Steel Substrate

### Surface Mounted Base Shoe

GLASS THICKNESS	BASE SHOE CAT. NO.	PREDRILLED 1ST HOLE DISTANCE FROM EDGE OF BASE SHOE (MM)	PREDRILLED CENTRE-TO-CENTRE HOLE DISTANCE (MM)	FIXING HOLE CENTRES USED (MM)	# OF CLAMPS PER M
12 mm toughened monolithic	EPGDSV	100	200	400	3
15 mm toughened monolithic	EPGDSV	100	200	400	4
19 mm toughened monolithic	EPGDSV	100	200	200	4
13.52 mm toughened laminated SGP Interlayer	EPGDSV	100	200	400	3
17.52 mm toughened laminated PVB Interlayer	EPGDSV	100	200	400	4
21.52 mm toughened laminated PVB Interlayer	EPGDSV	100	200	400	4
21.52 mm toughened laminated SGP Interlayer	EPGDSV	100	200	200	4

### Fascia Mounted Base Shoe

GLASS THICKNESS	BASE SHOE CAT. NO.	PREDRILLED 1ST HOLE DISTANCE FROM EDGE OF BASE SHOE (MM)	PREDRILLED CENTRE-TO-CENTRE HOLE DISTANCE (MM)	FIXING HOLE CENTRES USED (MM)	# OF CLAMPS PER M
12 mm toughened monolithic	EPGFA	100	200	400	3
15 mm toughened monolithic	EPGFA	100	200	400	4
19 mm toughened monolithic	EPGFA	100	200	200	4
13.52 mm toughened laminated SGP Interlayer	EPGFA	100	200	400	3
17.52 mm toughened laminated PVB Interlayer	EPGFA	100	200	400	4
21.52 mm toughened laminated PVB Interlayer	EPGFA	100	200	200	4
21.52 mm toughened laminated SGP Interlayer	EPGFA	100	200	200	5

\* CRL always recommend consulting local building authority/structural engineer for guidance

\*\* Please consult BS 6180:2011 for installation design guidance



RECOMMENDED FIXING	HORIZONTAL UNIFORMLY DISTRIBUTED LINE LOAD ACHIEVED (KN/M)	BRIEF TYPE OF OCCUPANCY FOR PART OF THE BUILDING OR STRUCTURE
M8 x 110 mm concrete anchor (EAM8)	0.36	Domestic & residential internal applications
M8 x 110 mm concrete anchor (EAM8)	0.74	Domestic & residential external applications including Juliette balconies
M8 x 110 mm concrete anchor (EAM8)	1.5	Areas where people may congregate, restaurants & bars
M8 x 110 mm concrete anchor (EAM8)	0.36	Domestic & residential internal applications
M8 x 110 mm concrete anchor (EAM8)	0.36	Domestic & residential internal applications
M8 x 110 mm concrete anchor (EAM8)	0.74	Domestic & residential external applications including Juliette balconies
M8 x 110 mm concrete anchor (EAM8)	1.5	Areas where people may congregate, restaurants & bars

RECOMMENDED FIXING	HORIZONTAL UNIFORMLY DISTRIBUTED LINE LOAD ACHIEVED (KN/M)	BRIEF TYPE OF OCCUPANCY FOR PART OF THE BUILDING OR STRUCTURE
M8 x 110 mm concrete anchor (EAM8)	0.36	Domestic & residential internal applications
M8 x 110 mm concrete anchor (EAM8)	0.74	Domestic & residential external applications including Juliette balconies
M8 x 110 mm concrete anchor (EAM8)	1.5	Areas where people may congregate, restaurants & bars
M8 x 110 mm concrete anchor (EAM8)	0.36	Domestic & residential internal applications
M8 x 110 mm concrete anchor (EAM8)	0.36	Domestic & residential internal applications
M8 x 110 mm concrete anchor (EAM8)	0.74	Domestic & residential external applications including Juliette balconies
M8 x 110 mm concrete anchor (EAM8)	1.5	Areas where people may congregate, restaurants & bars

RECOMMENDED FIXING	HORIZONTAL UNIFORMLY DISTRIBUTED LINE LOAD ACHIEVED (KN/M)	BRIEF TYPE OF OCCUPANCY FOR PART OF THE BUILDING OR STRUCTURE
Machine bolt S/S M12 X 40 mm (HHM12X40)	0.36	Domestic & residential internal applications
Machine bolt S/S M12 X 40 mm (HHM12X40)	0.74	Domestic & residential external applications including Juliette balconies
Machine bolt S/S M12 X 40 mm (HHM12X40)	1.5	Areas where people may congregate, restaurants & bars
Machine bolt S/S M12 X 40 mm (HHM12X40)	0.36	Domestic & residential internal applications
Machine bolt S/S M12 X 40 mm (HHM12X40)	0.36	Domestic & residential internal applications
Machine bolt S/S M12 X 40 mm (HHM12X40)	0.74	Domestic & residential external applications including Juliette balconies
Machine bolt S/S M12 X 40 mm (HHM12X40)	1.5	Areas where people may congregate, restaurants & bars

RECOMMENDED FIXING	HORIZONTAL UNIFORMLY DISTRIBUTED LINE LOAD ACHIEVED (KN/M)	BRIEF TYPE OF OCCUPANCY FOR PART OF THE BUILDING OR STRUCTURE
Machine bolt S/S M12 X 40 mm (HHM12X40)	0.36	Domestic & residential internal applications
Machine bolt S/S M12 X 40 mm (HHM12X40)	0.74	Domestic & residential external applications including Juliette balconies
Machine bolt S/S M12 X 40 mm (HHM12X40)	1.5	Areas where people may congregate, restaurants & bars
Machine bolt S/S M12 X 40 mm (HHM12X40)	0.36	Domestic & residential internal applications
Machine bolt S/S M12 X 40 mm (HHM12X40)	0.36	Domestic & residential internal applications
Machine bolt S/S M12 X 40 mm (HHM12X40)	0.74	Domestic & residential external applications including Juliette balconies
Machine bolt S/S M12 X 40 mm (HHM12X40)	1.5	Areas where people may congregate, restaurants & bars

**NOTE: BS6180:2011 stipulates that when toughened monolithic glass is used, a cap rail is always required.**

# CRL Posiglaze Surface Mount Base Shoe



**For a standard 3 m surface mount installation, the following components will be required:**

- 1 x 3 m Surface Mount Base Shoe
- 2 x 3 m Top Clip
- 1 x Clamp kit to suit specified glass thickness
- 1 x Spanner



## Surface Mount Base Shoe

- For use with 12 to 21.52 mm glass
- Pre-drilled first hole from edge of base shoe: 100 mm
- Pre-drilled centre-to-centre hole distance: 200 mm
- Hole suited to 12 mm fixing bolt and counter bored to sink the bolt head

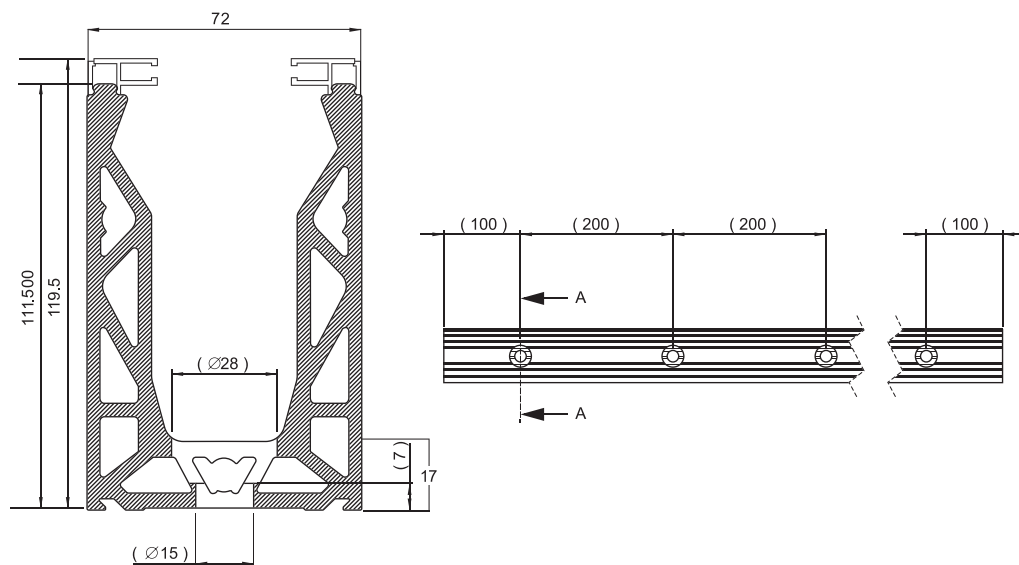
3 m length

**Cat. No. EPGDSV**  
Brushed Stainless Steel  
Anodised finish

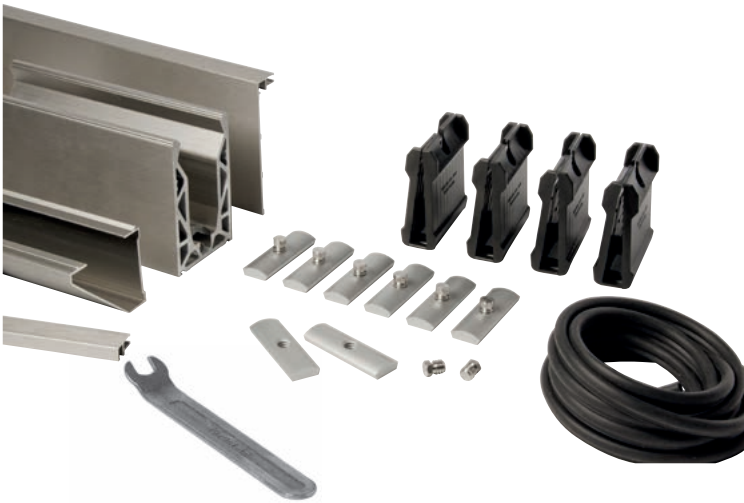
**Cat. No. EPGDBL**  
Black Anodised finish

6 m length

**Cat. No. EPGDSV6**  
Brushed Stainless Steel  
Anodised finish



# CRL Posiglaze Fascia Mount Base Shoe



**For a standard 3 m fascia mount installation, the following components will be required:**

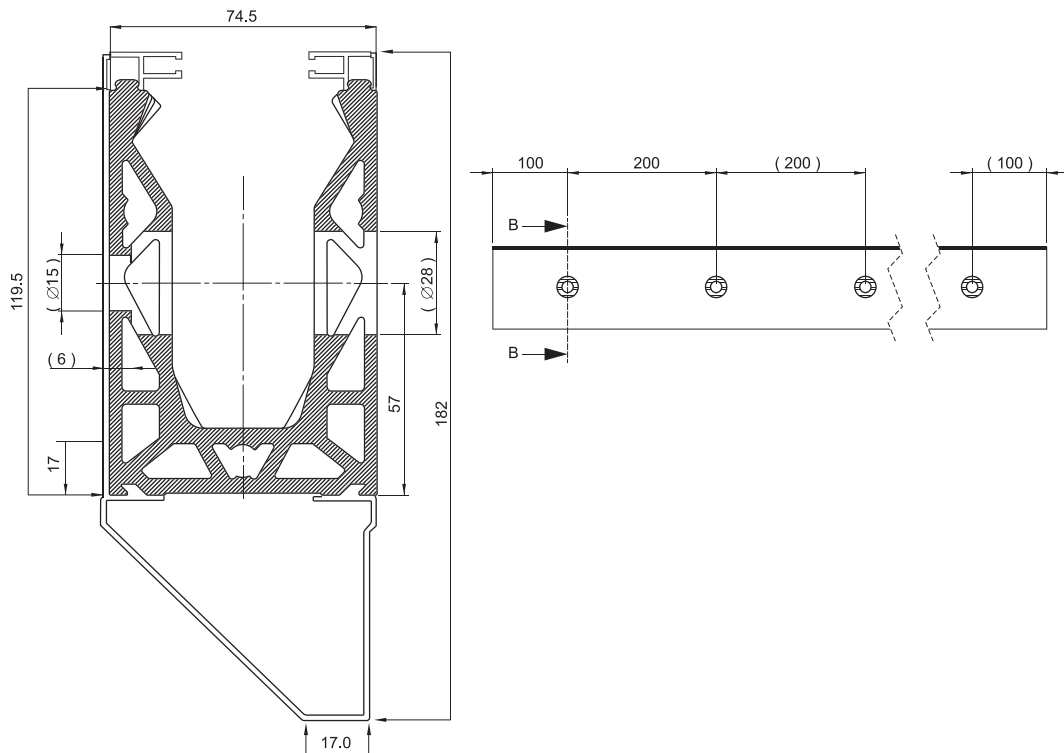
- 1 x 3 m Fascia Mount Base Shoe
- 1 x 3 m Top Clip
- 1 x 3 m Side Cladding
- 1 x Clamp kit to suit specified glass thickness
- 1 x Spanner



## Fascia Mount Base Shoe

Cat. No. EPGFA

- For use with 12 to 21.52 mm glass
- Pre-drilled first hole from edge of base shoe: 100 mm
- Pre-drilled centre-to-centre hole distance: 200 mm
- Drilled through both walls, one side to allow socket through
- Hole suited to 12 mm fixing bolt and counter bored to sink the bolt head
- 3 m length
- Natural Anodised finish





## 90° Corner

- Pre-fabricated 90° corner
- Supplied with 4 dowels for easier fitting
- Does not include extra top clip or side cladding

**Cat. No. EPG90BL**

Black Anodised finish

**Cat. No. EPG90SV**

Silver

**Cat. No. EPG90S1**

Internal corner

**Cat. No. EPG90SE**

External corner



## Top Clip

- Holds the gasket
- Pressed onto the channel at the end of the installation
- Covers the clamps from and prevents debris from entering the channel
- 3 m length

**Cat. No. EPGTSBL**

Black Plastic

**Cat. No. EPGTSSV**

Silver



## Bottom Cladding

- For use with fascia mount base shoe if required
- Gives an angled finish to the bottom of the channel
- Clips into the grooves under the channel
- Requires adhesive for securing in place
- 3 m length
- Brushed Stainless Steel Anodised finish

**Cat. No.**

**EPGBCLADSV**



## Side Cladding

- For use with fascia mount base shoe to cover the drill holes from view
- Holds the gasket in place and covers the clamps from view
- Requires adhesive to hold flat surface against channel
- 3 m length
- Brushed Stainless Steel Anodised finish

**Cat. No.**

**EPGFCLADSV**



## Clamp Kits (inc. clamps, gasket, bars, bolts)

- Includes enough components to suit a 3 m length of base shoe
- Glass clamps have a  $\pm 1$  mm tolerance to accommodate varying interlayer thicknesses in the glass
- Includes the clamp bars which sit into the top mould of the clamps and the clamp bolts which screw into the bars and are then undone to hold the glass in place. These are undone and tightened each side allowing the glass alignment
- Includes 6 m gasket to suit glass thickness

**Cat. No. EPG12SET**

For 12 mm glass

**Cat. No. EPG13SET**

For 13.52 mm glass

**Cat. No. EPG15SET**

For 15 mm glass

**Cat. No. EPG17SET**

For 17.52 mm glass

**Cat. No. EPG19SET**

For 19 mm glass

**Cat. No. EPG21SET**

For 21.52 mm glass



## End Caps

- Cut to suit each option
- Adhesive required to hold them in place

**Cat. No. EPGDECBN**

End Cap for Surface Mount Base Shoe, Brushed Stainless Steel Anodised finish

**Cat. No. EPGDECBL**

End Cap for Surface Mount Base Shoe, Black Anodised finish

**Cat. No. EPGFECBN**

End Cap One Side-Clad, Brushed Stainless Steel Anodised finish

**Cat. No. EPGFEC2BN**

End Cap Two Side-Clad, Brushed Stainless Steel Anodised finish

**Cat. No. EPGBCECRBN**

End Cap Shaped Right, Brushed Stainless Steel Anodised finish

**Cat. No. EPGBCECLBN**

End Cap Shaped Left, Brushed Stainless Steel Anodised finish

# CRL Posiglaze Components



## Dowel

- Used to allow for better aligning when joining base shoe sections together
- 3 slots in the base shoe to hold dowels although 2 would be enough

Cat. No. EPGPIN



## Spanner

- With angle to reach the clamp to tighten/loosen the glass
- Material: Steel

Cat. No. EPGSPAN



## Bolts for Posiglaze Base Shoe

- For use with steel or concrete

Cat. No. EAM8

For use with concrete

Cat. No. HHM12X40

For use with steel

For use with concrete

For use with steel



## Drain Block

- Fitted between the substrate and the base shoe behind each hole to allow water to escape
- Material: Anodised Aluminium

Cat. No. EPGDDB

For Surface Mount Base Shoe

Cat. No. EPGFDB

For Fascia Mount Base Shoe



## Black Touch Up Paint

- For use with Posiglaze base shoe products
- Black Anodised finish

Cat. No.

EPGPAINBTL



## Drain Block Kit

- Discrete Balustrade Drainage Blocks are simply installed under the channel and stop water getting in the building below
- Quick
- Low Cost
- Patented
- Discrete

Cat. No. EPGBSKIT



## Surface mount Base Shoe Sample

- Posiglaze sample

Cat. No.

EPGDBLSAMPLE

Black

Cat. No.

EPGDSVSAMPLE

Silver



## TAPER-LOC®

Ideal for commercial and residential installations due to a unique time saving installation process.

Unlike other systems, we consistently apply the same fixing tension on to the glass with TAPER-LOC® every single time.

Designed with the installer in mind, we invest in continued development to ensure TAPER-LOC® remains the frameless glass balustrade system of choice.

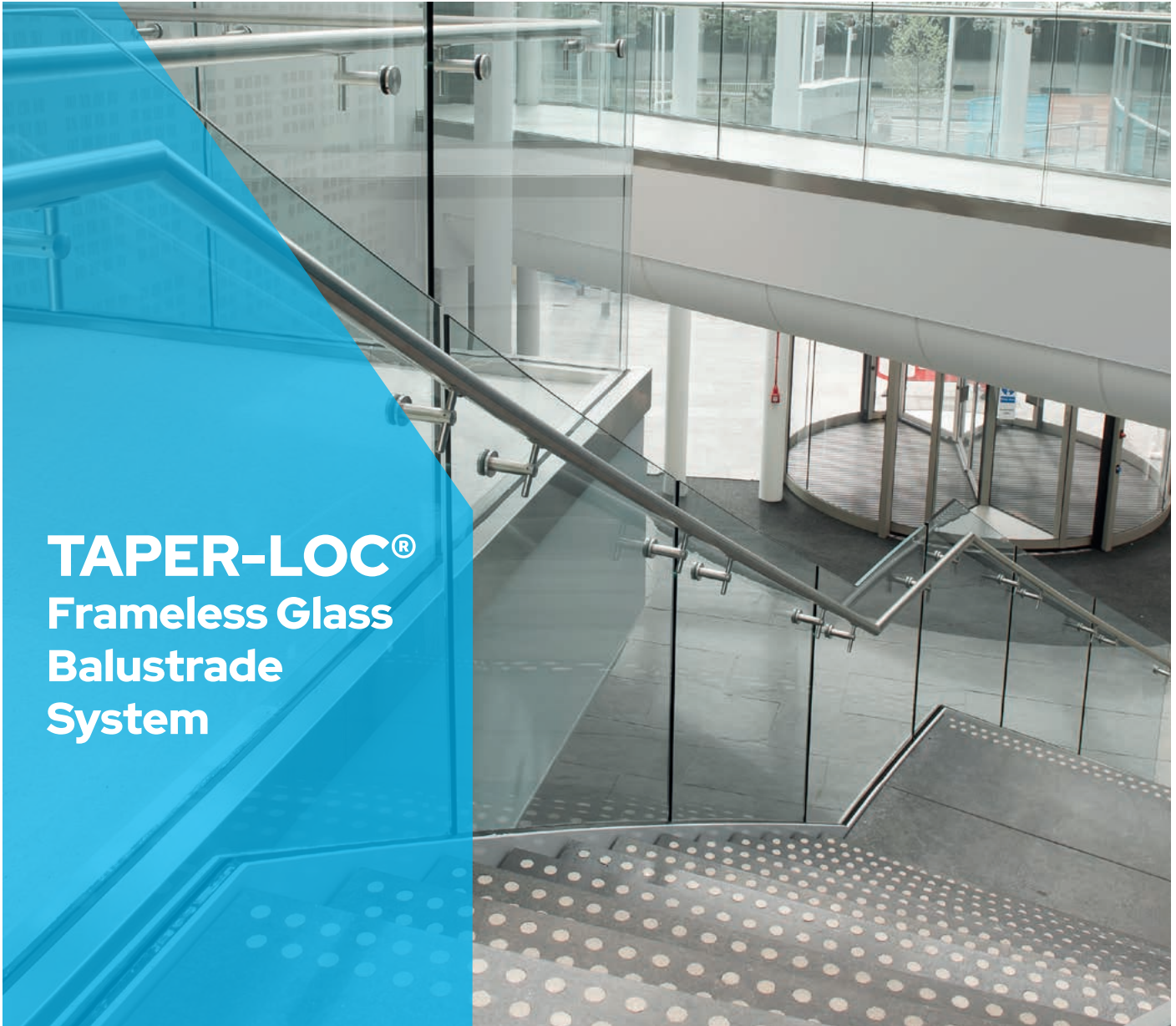


MINIMALISTIC DESIGN  
WITH CLEAN LINES

COMPLETE INSTALLATION  
FROM THE SAFE SIDE -  
NO SCAFFOLDING REQUIRED

FAST AND EASY  
TO INSTALL

TESTED TO  
BS 6180:2011



## TAPER-LOC® Frameless Glass Balustrade System

### Quickly install glass balustrades with ease...

- TAPER-LOC® dry glazed installation is quick and clean for the installer and for the finished product
- TAPER-LOC® enables a secure barrier while maintaining clean and elegant lines
- Designed and tested for monolithic and laminated toughened glass
- Designed by CRL for commercial and residential applications
- TAPER-LOC® enables the strongest and safest barriers, giving the installer and end user peace of mind
- TAPER-LOC® installation/removal tool (TLK12) allows broken/scratched glass to be easily removed

For a demonstration visit [taper-loc.co.uk](http://taper-loc.co.uk)



**TAPER-LOC<sup>®</sup>**  
DRY GLAZE RAILING SYSTEM



CONFORMS TO  
BS 6180:2011

U.S. Patent Numbers 8,122,654 & 8,201,366 and Commonwealth of Australia Patent Numbers 200820752 and 2012202256



# SIMPLE. FAST. SAFE.

## Easy Installation

The process of installing glass balustrades is now easier with CRL's 2018 TAPER-LOC® system. TAPER-LOC® has a unique design that lets you apply precision tension to lock it in place, securing the glass in the aluminium base shoe without the use of messy cement. Your installation time is significantly reduced while still exceeding code standards.

Onsite demonstrations available - Contact Technical Sales on **00 800 0421 6144** to arrange an appointment



**Taper-Loc base shoe allows balustrades to be installed flush with the slab edge**

### STEP 1

Install the outside safety gasket and position the L shaped setting blocks.

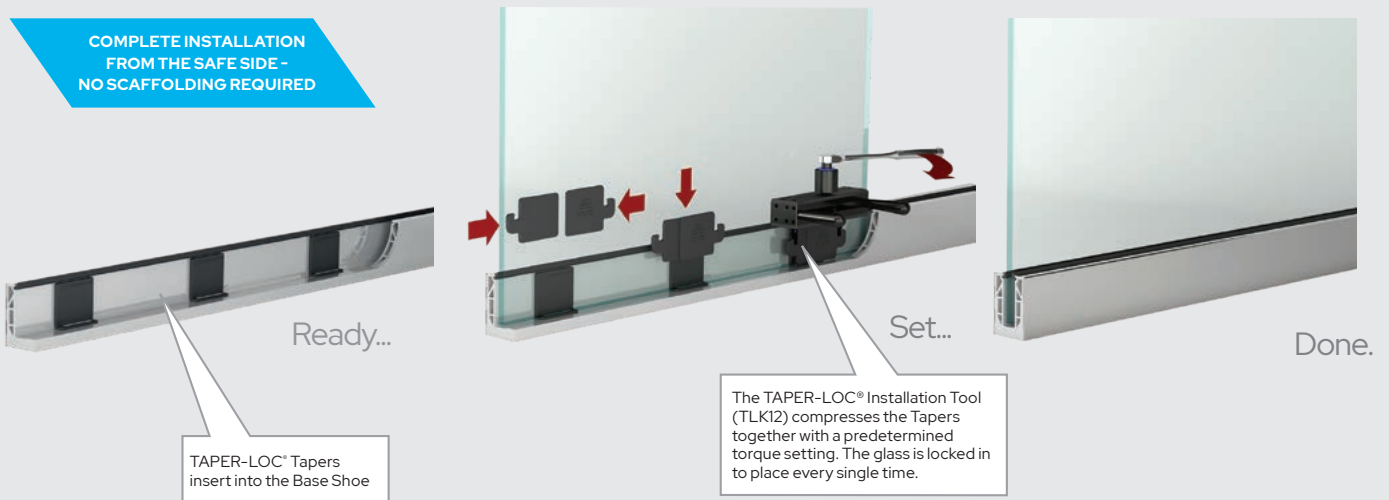
### STEP 2

Insert the Taper set half way down into the base shoe as shown, opposite the L-setting block, and then squeeze the tapers together finger tight.

### STEP 3

Place Installation/Removal Tool (TLK12) into position onto the Tapers and push them down into the base shoe. Crank the torque wrench until it clicks and breaks for a few degrees, letting you know the Tapers are locked to the correct measured torque.

COMPLETE INSTALLATION  
FROM THE SAFE SIDE -  
NO SCAFFOLDING REQUIRED



## CRL Testing and development Conforming to Building Standards Across Europe

At CRL, we are committed to the testing and development of all of our products.

All CRL TAPER-LOC® Systems are independently tested to meet British, German and US Standards. We have solutions up to and including 3kN load tests.

Watch the video of our test in action at: [www.taper-loc.co.uk/testrig](http://www.taper-loc.co.uk/testrig)

Our project testing facilities available upon request. Certificates available at [www.taper-loc.co.uk](http://www.taper-loc.co.uk)

Contact Technical Sales on freephone **00 800 0421 6144**



CRL Balustrade Test Rig

## Concrete Substrate

### Surface Mounted Base Shoe

GLASS THICKNESS	BASE SHOE CAT. NO.	PREDRILLED 1ST HOLE DISTANCE FROM EDGE OF BASE SHOE (MM)	PREDRILLED CENTRE-TO-CENTRE HOLE DISTANCE (MM)	SPACING OF TAPER LOCS
12 mm toughened monolithic	8B10DBN	150	300 mm	300 mm
15 mm toughened monolithic	8B58DBN	150	300 mm	300 mm
19 mm toughened monolithic	8B34DBN	150	300 mm	300 mm
13.52 mm toughened laminated PVB Interlayer	9BL56DBN	150	300 mm	300 mm
17.52 mm toughened laminated PVB Interlayer	9BL68DBN	150	300 mm	300 mm
21.52 mm toughened laminated PVB Interlayer	9BL21DBN	150	300 mm	300 mm
25.52mm toughened laminated PVB interlayer	9BL25DBN	150	300 mm	300 mm

### Fascia Mounted Base Shoe

GLASS THICKNESS	BASE SHOE CAT. NO.	PREDRILLED 1ST HOLE DISTANCE FROM EDGE OF BASE SHOE (MM)	PREDRILLED CENTRE-TO-CENTRE HOLE DISTANCE (MM)	SPACING OF TAPER LOCS
12 mm toughened monolithic	8B10F	150	300 mm	300 mm
15 mm toughened monolithic	8B58F	150	300 mm	300 mm
19 mm toughened monolithic	8B34F	150	300 mm	300 mm
13.52 mm toughened laminated PVB Interlayer	9BL56F	150	300 mm	300 mm
17.52 mm toughened laminated PVB Interlayer	9BL68F	150	300 mm	300 mm
21.52 mm toughened laminated SGP Interlayer	9BL21F	150	300 mm	300 mm
25.52 mm toughened laminated SGP Interlayer	9BL25F	150	300 mm	300 mm

## Steel Substrate

### Surface Mounted Base Shoe

GLASS THICKNESS	BASE SHOE CAT. NO.	PREDRILLED 1ST HOLE DISTANCE FROM EDGE OF BASE SHOE (MM)	PREDRILLED CENTRE-TO-CENTRE HOLE DISTANCE (MM)	SPACING OF TAPER LOCS
12 mm toughened monolithic	8B10DBN	150	300 mm	300 mm
15 mm toughened monolithic	8B58DBN	150	300 mm	300 mm
19 mm toughened monolithic	8B34DBN	150	300 mm	300 mm
13.52 mm toughened laminated PVB Interlayer	9BL56DBN	150	300 mm	300 mm
17.52 mm toughened laminated PVB Interlayer	9BL68DBN	150	300 mm	300 mm
21.52 mm toughened laminated PVB Interlayer	9BL21DBN	150	300 mm	300 mm
25.52mm toughned laminated PVB interlayer	9BL25DBN	150	300 mm	300 mm

### Fascia Mounted Base Shoe

GLASS THICKNESS	BASE SHOE CAT. NO.	PREDRILLED 1ST HOLE DISTANCE FROM EDGE OF BASE SHOE (MM)	PREDRILLED CENTRE-TO-CENTRE HOLE DISTANCE (MM)	SPACING OF TAPER LOCS
12 mm toughened monolithic	8B10F	150	300 mm	300 mm
15 mm toughened monolithic	8B58F	150	300 mm	300 mm
19 mm toughened monolithic	8B34F	150	300 mm	300 mm
13.52 mm toughened laminated PVB Interlayer	9BL56F	150	300 mm	300 mm
17.52 mm toughened laminated PVB Interlayer	9BL68F	150	300 mm	300 mm
21.52 mm toughened laminated SGP Interlayer	9BL21F	150	300 mm	300 mm
25.52 mm toughened laminated SGP Interlayer	9BL25F	150	300 mm	300 mm

\* CRL always recommend consulting local building authority/structural engineer for guidance

\*\* Please consult BS 6180:2011 for installation design guidance

RECOMMENDED FIXING	HORIZONTAL UNIFORMLY DISTRIBUTED LINE LOAD ACHIEVED (KN/M)	BRIEF TYPE OF OCCUPANCY FOR PART OF THE BUILDING OR STRUCTURE
M8 x 98 mm concrete anchor	0.36	Domestic & residential internal applications
M8 x 98 mm concrete anchor	0.74	Domestic & residential external applications including Juliette balconies
M8 x 98 mm concrete anchor	1.5	Areas where people may congregate, restaurants & bars
M12 x 150 mm concrete anchor	N/A	USED FOR WINDSCREENS ONLY NOT FOR BARRIERS
M12 x 150 mm concrete anchor	0.36	Domestic & residential internal applications
M12 x 150 mm concrete anchor	0.74	Domestic & residential external applications including Juliette balconies
M12 x 150 mm concrete anchor	1.5	Areas where people may congregate, restaurants & bars

RECOMMENDED FIXING	HORIZONTAL UNIFORMLY DISTRIBUTED LINE LOAD ACHIEVED (KN/M)	BRIEF TYPE OF OCCUPANCY FOR PART OF THE BUILDING OR STRUCTURE
M8 x 98 mm concrete anchor	0.36	Domestic & residential external applications including Juliette balconies
M8 x 98 mm concrete anchor	0.74	Domestic & residential external applications including Juliette balconies
M8 x 98 mm concrete anchor	0.74	Areas where people may congregate, restaurants & bars
M12 x 150 mm concrete anchor	N/A	USED FOR WINDSCREENS ONLY NOT FOR BARRIERS
M12 x 150 mm concrete anchor	0.36	Domestic & residential internal applications
M12 x 150 mm concrete anchor	0.74	Domestic & residential external applications including Juliette balconies
M12 x 150 mm concrete anchor	1.5	Areas where people may congregate, restaurants & bars

RECOMMENDED FIXING	HORIZONTAL UNIFORMLY DISTRIBUTED LINE LOAD ACHIEVED (KN/M)	BRIEF TYPE OF OCCUPANCY FOR PART OF THE BUILDING OR STRUCTURE
Machine bolt S/S M12 X 20 mm	0.36	Domestic & residential internal applications
Machine bolt S/S M12 X 20 mm	0.74	Domestic & residential external applications including Juliette balconies
Machine bolt S/S M12 X 20 mm	1.5	Areas where people may congregate, restaurants & bars
Machine bolt S/S M14 X 20 mm	N/A	USED FOR WINDSCREENS ONLY NOT FOR BARRIERS
Machine bolt S/S M14 X 20 mm	0.36	Domestic & residential internal applications
Machine bolt S/S M14 X 20 mm	0.74	Domestic & residential external applications including Juliette balconies
Machine bolt S/S M14 X 20 mm	1.5	Areas where people may congregate, restaurants & bars

RECOMMENDED FIXING	HORIZONTAL UNIFORMLY DISTRIBUTED LINE LOAD ACHIEVED (KN/M)	BRIEF TYPE OF OCCUPANCY FOR PART OF THE BUILDING OR STRUCTURE
Machine bolt S/S M8 X 20 mm	0.36	Domestic & residential internal applications
Machine bolt S/S M8 X 20 mm	0.74	Domestic & residential external applications including Juliette balconies
Machine bolt S/S M8 X 20 mm	0.74	Areas where people may congregate, restaurants & bars
Machine bolt S/S M14 X 20 mm	N/A	USED FOR WINDSCREENS ONLY NOT FOR BARRIERS
Machine bolt S/S M14 X 20 mm	0.36	Domestic & residential internal applications
Machine bolt S/S M14 X 20 mm	0.74	Domestic & residential external applications including Juliette balconies
Machine bolt S/S M14 X 20 mm	1.5	Areas where people may congregate, restaurants & bars

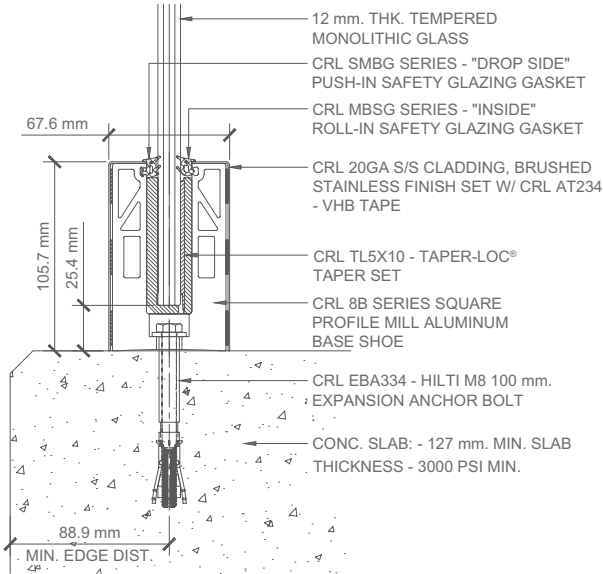
**NOTE: BS6180:2011 stipulates that when toughened monolithic glass is used, a cap rail is always required.**



# Typical Installations

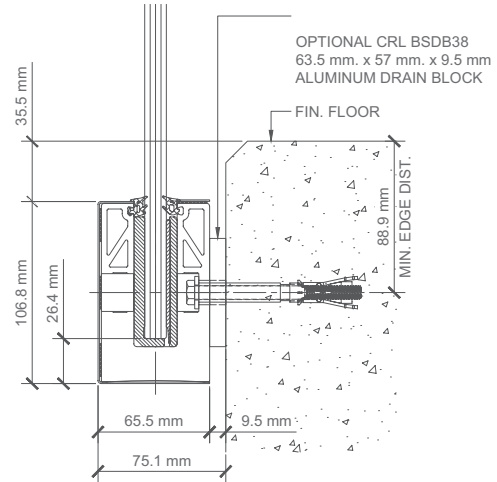
## Surface Mount Detail - Concrete Substrate

Anchor spacing will depend on mounting substrate and region of project



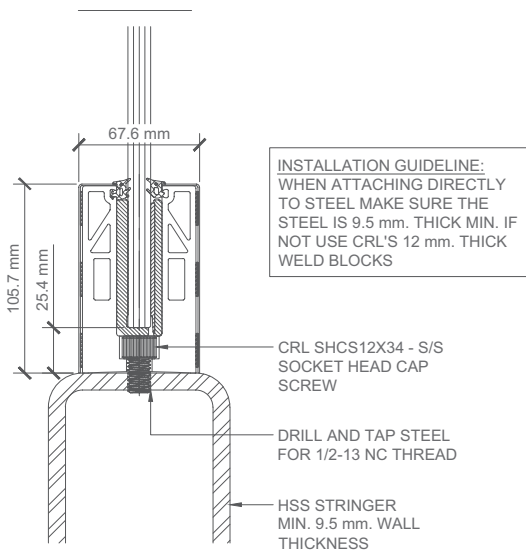
## Fascia Mount Detail - Concrete Substrate

Anchor spacing will depend on mounting substrate and region of project



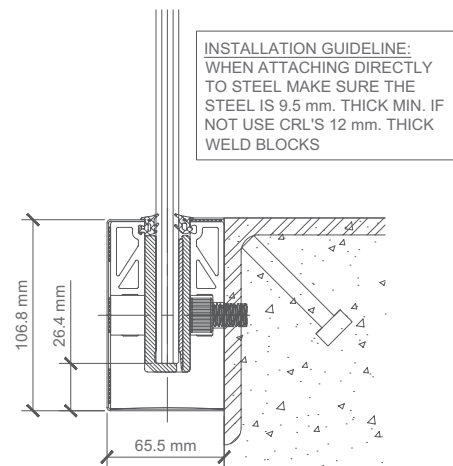
## Surface Mount Detail - Steel Substrate

300 mm on centre anchor spacing



## Fascia Mount Detail - Steel Substrate

300 mm on centre anchor spacing



## CRL Taper-Loc® Installation / Removal Tool Kit

Cat. No. TLK12

The Installation/Removal Tool is used for tightening TAPER-LOC® Tapers in the channel of the base shoe. The tool has an integrated torque wrench that applies the precise lock-up force necessary to set the glass panels. Simply set in place and turn the wrench until a clicking sound is heard. This assures the Tapers have been locked together. It can also remove tapers when glass panels need to be reset or replaced.

### KIT INCLUDES:

- 1 x Integrated Torque Wrench TLK12
- 1 x Glass Balustrade Setting Tools for Monolithic and Laminated Glass
- 1 x Pair of Glass Setting Roller Blocks
- 1 x Standard and Recessed Blades
- 1 x Instructions
- 1 x Moulded Carrying Case



## CRL PAL Plumb / Angle / Level Indicator

Cat. No. PAL1K

The PAL Plumb / Angle / Level Locator Kit is designed to assist you with level and plumb installations of base shoe for balustrade and windscreen installations. This innovative tool levels the base shoe in both the vertical and horizontal orientations. Perfect for use with all TAPER-LOC® installations.

### KIT INCLUDES:

- 1 x Laser Tool with Case
- 1 x Base Shoe Alignment Adapter
- 1 x Laser Target
- 1 x Chalk Line
- 1 x 237 ml Bottle of Blue Chalk Refill
- 1 x Black Listo Marking Pencil
- 1 x Blue Sharpie Pen
- 1 x Instructions
- 1 x Moulded Carry Case



# CRL TAPER-LOC® 8B10 Series Standard Square Base Shoe

## Designed for fixing 12 mm glass

- For residential including stairs and landings but excluding external balconies and edges of roofs
- For use with 12 mm monolithic toughened glass
- Safety-seal compatible
- Available in 3 finishes

### Measurements:

Stock length: 3 m  
 Hole Size: 14.3mm  
 Counter Bore: 22 mm  
 Depth: 12.7 mm  
 Centre-to-Centre: 300 mm  
 Pre-drilled

### Surface Mounted Base Shoe

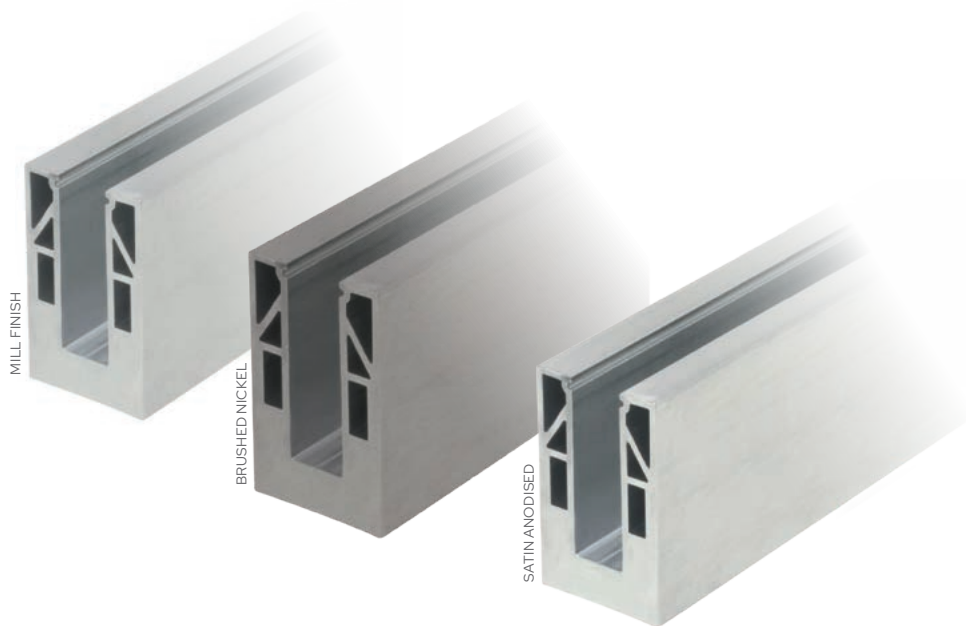
**Cat. No. 8B10D**  
 Mill Finish

**Cat. No. 8B10DBN**  
 Brushed Nickel

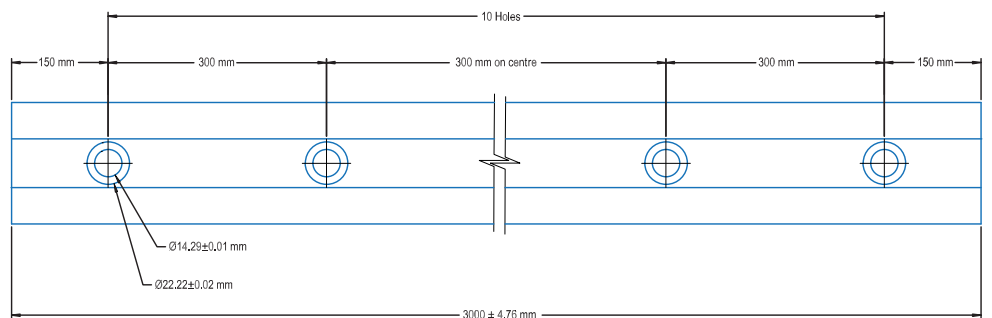
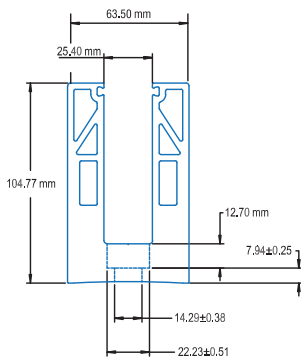
**Cat. No. 8B10DSA**  
 Satin Anodised

### Fascia Mounted Base Shoe

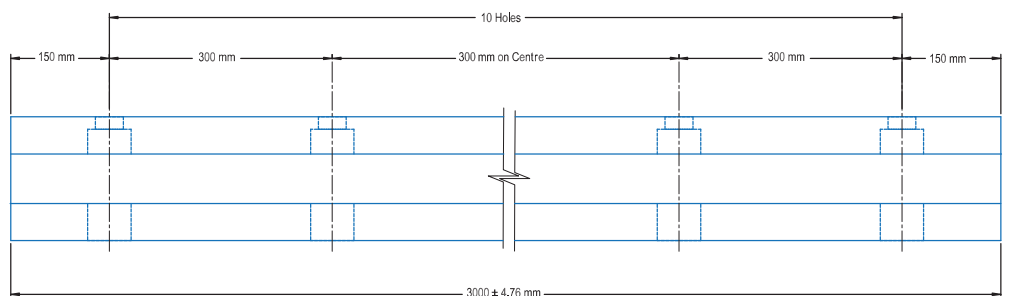
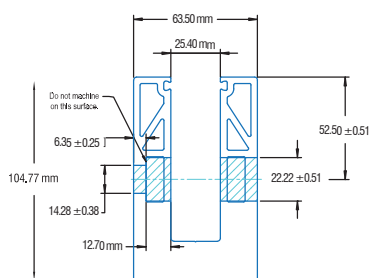
**Cat. No. 8B10F**  
 Mill Finish



### Base Drilled



### Fascia Drilled



# CRL TAPER-LOC® 8B58 Series Standard Square Base Shoe

## Designed for fixing 15 mm glass

- For residential external balconies, edges of roofs, stairs and landings
- For use with 15 mm monolithic toughened glass
- Safety-seal compatible
- Available in 3 finishes

### Measurements:

Stock length: 3 m  
 Hole Size: 14.3 mm  
 Counter Bore: 22 mm  
 Depth: 12.7 mm  
 Centre-to-Centre: 300 mm  
 Pre-drilled

### Surface Mounted Base Shoe

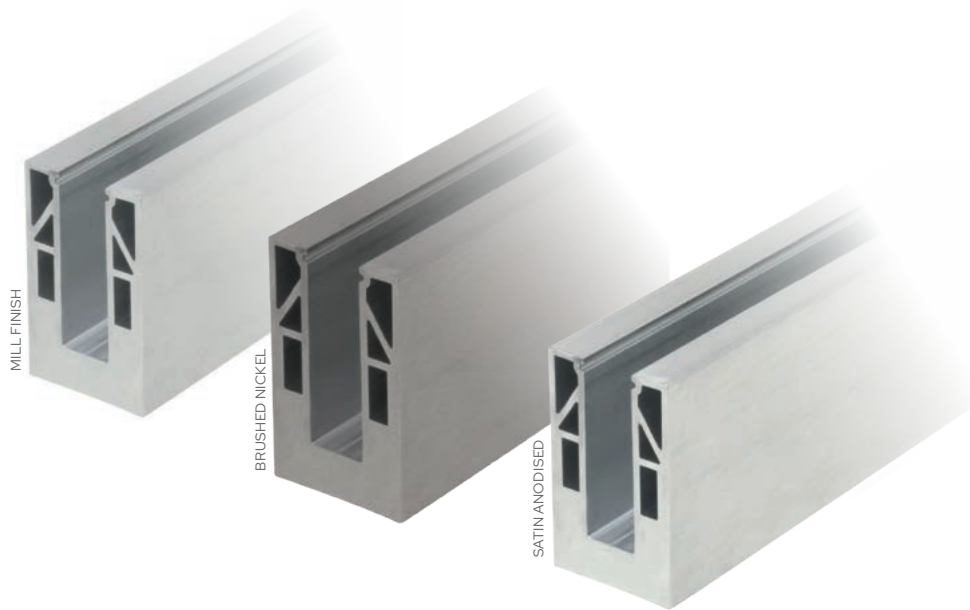
**Cat. No. 8B58D**  
 Mill Finish

**Cat. No. 8B58DBN**  
 Brushed Nickel

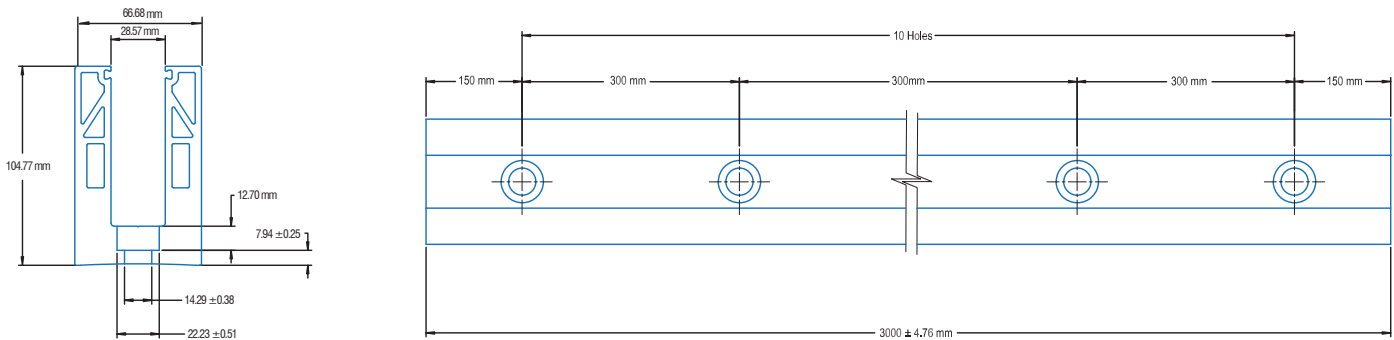
**Cat. No. 8B58DSA**  
 Satin Anodised

### Fascia Mounted Base Shoe

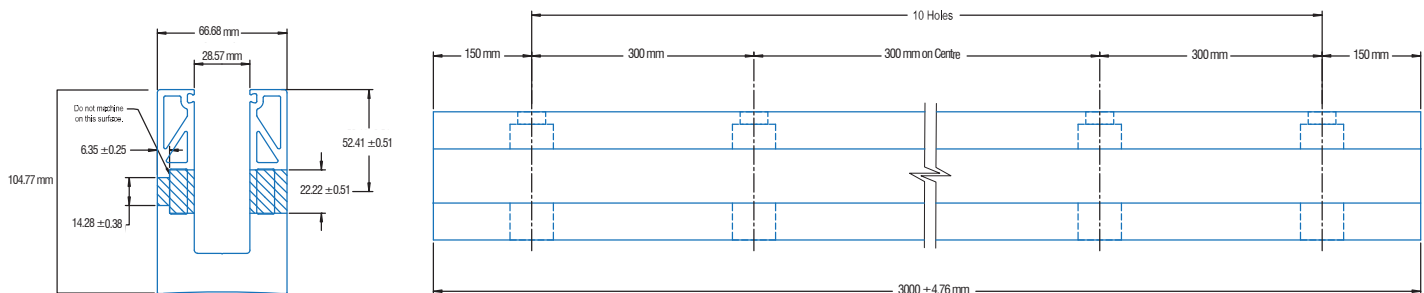
**Cat. No. 8B58F**  
 Mill Finish



### Base Drilled



### Fascia Drilled



For matching tapers, bolts and gaskets, see page 26



# CRL TAPER-LOC® 8B34 Series Heavy-Duty Square Base Shoe

## Designed for fixing 19 mm glass

- For commercial areas susceptible to overcrowding
- For use with 19 mm monolithic toughened glass
- Safety-seal compatible
- Available in 3 finishes

### Measurements:

Stock length: 3 m  
 Hole Size: 14.3 mm  
 Counter Bore: 22 mm  
 Depth: 12.7 mm  
 Centre-to-Centre: 300 mm  
 Pre-drilled

### Surface Mounted Base Shoe

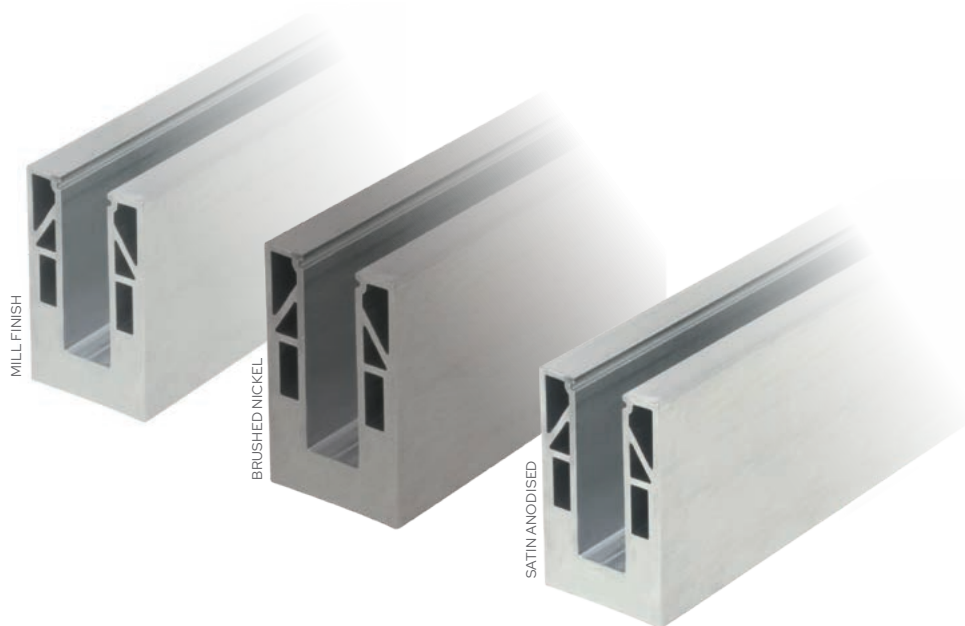
**Cat. No. 8B34D**  
 Mill Finish

**Cat. No. 8B34DBN**  
 Brushed Nickel

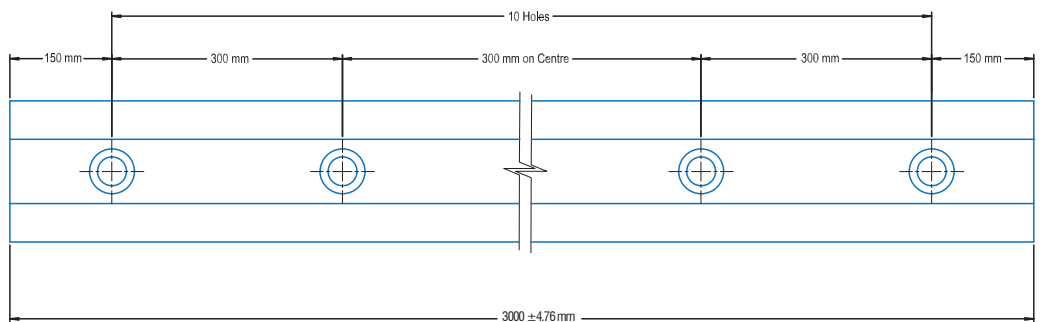
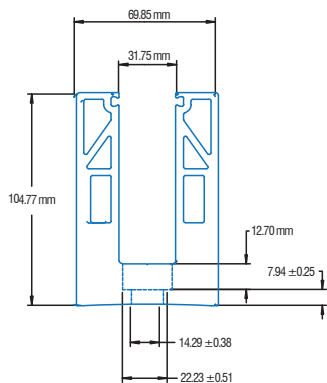
**Cat. No. 8B34DSA**  
 Satin Anodised

### Fascia Mounted Base Shoe

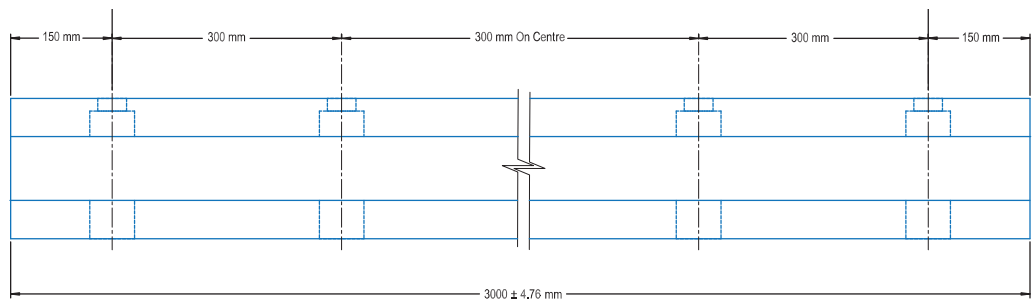
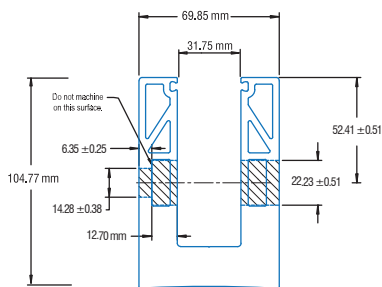
**Cat. No. 8B34F**  
 Mill Finish



### Base Drilled



### Fascia Drilled



For matching tapers, bolts and gaskets, see page 26

# CRL TAPER-LOC® Tapers, Bolts and Gaskets for 8B Series Base Shoes



## CRL TAPER-LOC® Taper Set for Monolithic Toughened Glass

- Includes two Tapers and one L-setting block
- For use with CRL's monolithic toughened glass high strength base shoe only
- For use with 10 mm, 12 mm, 15 mm and 19 mm glass

NOTE: Minimum order: 10 sets

### Cat. No. TL5X10

For use with 12 mm, 15 mm and 19 mm glass

### Cat. No. TL3X10

For use with 10 mm glass for windscreens



For use with concrete



For use with steel

## CRL TAPER-LOC® Bolts for 8B Series Monolithic Glass Base Shoes

### Cat. No. EBA334

For use with concrete

### Cat. No. SHM12x20

For use with steel

## CRL TAPER-LOC® Top Rubber Gasket for Monolithic Toughened Glass

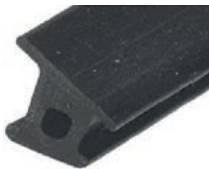
- Can be used on both sides once glass is installed

### Cat. No. BSG100

30.5 m roll length

### Cat. No. BSG500

152.4 m roll length



## CRL Taper-Loc® Safety Seal for Monolithic Glass

- Can be used to fix the drop side seal in to the base shoe prior to inserting the glass
- Allows installer to always work from the safe side and avoid the need for expensive scaffolding

### Cat. No. SMBSG1

"Drop-Side" safety seal  
30.5 m roll length

### Cat. No. MBSG1

Inside safety seal  
30.5 m roll length



SMBSG1

MBSG1

# CRL TAPER-LOC® 90° Corners and Cladding for 8B Series Base Shoes

## CRL TAPER-LOC® 90° Corner Connectors for Monolithic Glass Base Shoe



### For 12 mm Glass

**Cat. No. 8B1090D**  
Mill Finish

**Cat. No. 8B1090DBN**  
Brushed Nickel

**Cat. No. 8B1090DSA**  
Satin Anodised

### For 19 mm Glass

**Cat. No. 8B3490D**  
Mill Finish

**Cat. No. 8B3490DBN**  
Brushed Nickel

**Cat. No. 8B3490DSA**  
Satin Anodised

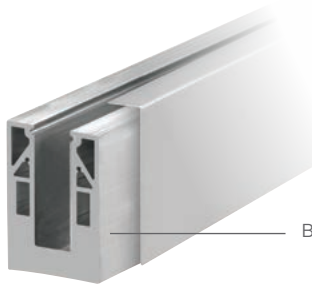
### For 15 mm Glass

**Cat. No. 8B5890D**  
Mill Finish

**Cat. No. 8B5890DBN**  
Brushed Nickel

**Cat. No. 8B5890DSA**  
Satin Anodised

## CRL TAPER-LOC® Base Fixed Cladding for Monolithic Glass Base Shoe



Base Shoe sold separately

### 304 Grade

**Cat. No. BSCBS10**  
Brushed Stainless Steel

**Cat. No. BSCPS10**  
Polished Stainless Steel

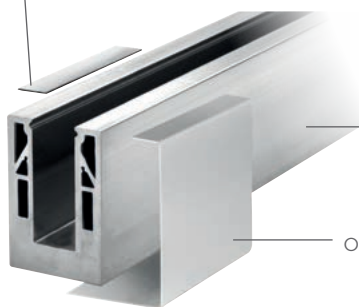
### 316 Grade

**Cat. No. BSCBS106**  
Brushed Stainless Steel

**Cat. No. BSCPS106**  
Polished Stainless Steel

## CRL TAPER-LOC® Fascia Fixed Cladding for Monolithic Glass Base Shoe

Inside Fascia Cladding



Base Shoe sold separately

Outside Fascia Cladding

### Outside Fascia Cladding, 304 Grade

#### For 12 mm Glass

**Cat. No. B5C0FBS**  
Brushed Stainless Steel

**Cat. No. B5C0FPS**  
Polished Stainless Steel

#### For 15 mm Glass

**Cat. No. B6C0FBS**  
Brushed Stainless Steel

**Cat. No. B6C0FPS**  
Polished Stainless Steel

#### For 19 mm Glass

**Cat. No. B7C0FBS**  
Brushed Stainless Steel

**Cat. No. B7C0FPS**  
Polished Stainless Steel

### Inside Fascia Cladding, 304 Grade

#### For 12 mm, 15 mm and 19 mm Glass

**Cat. No. B5C1FBS**  
Brushed Stainless Steel

**Cat. No. B5C1FPS**  
Polished Stainless Steel

# CRL TAPER-LOC® End Caps for 8B Series Base Shoes

## CRL TAPER-LOC® End Caps for Monolithic Glass Base Shoe



### End Caps, 304 Grade

#### For 12 mm Glass

**Cat. No. B5SECBS**  
Brushed Stainless Steel

**Cat. No. B5SECPS**  
Polished Stainless Steel

**Cat. No. 8B10ECBN**  
Brushed Nickel

**Cat. No. 8B10ECSA**  
Satin Anodised

#### For 15 mm Glass

**Cat. No. B6SECBS**  
Brushed Stainless Steel

**Cat. No. B6SECPS**  
Polished Stainless Steel

**Cat. No. 8B58ECBN**  
Brushed Nickel

**Cat. No. 8B58ECSA**  
Satin Anodised

#### For 19 mm Glass

**Cat. No. B7SECBS**  
Brushed Stainless Steel

**Cat. No. B7SECPS**  
Polished Stainless Steel

**Cat. No. 8B34ECBN**  
Brushed Nickel

**Cat. No. 8B34ECSA**  
Satin Anodised

## CRL TAPER-LOC® End Caps for Monolithic Glass Base Shoe



### End Caps, 316 Grade

#### For 12 mm Glass

**Cat. No. B5SECBS6**  
Brushed Stainless Steel

**Cat. No. B5SECPS6**  
Polished Stainless Steel

#### For 15 mm Glass

**Cat. No. B6SECBS6**  
Brushed Stainless Steel

**Cat. No. B6SECPS6**  
Polished Stainless Steel

#### For 19 mm Glass

**Cat. No. B7SECBS6**  
Brushed Stainless Steel

**Cat. No. B7SECPS6**  
Polished Stainless Steel

**Cat. No. B7SECBS6**  
Brushed Stainless Steel

**Cat. No. B7SECPS6**  
Polished Stainless Steel



# CRL TAPER-LOC® 9BL56 Series Base Shoe for Windscreen

## Designed for fixing 13.52 mm glass

- For windscreens only
- For use with 13.52 mm laminated toughened glass

### Measurements:

Stock length: 3 mm  
 Hole Size: 14.29 mm  
 Counter Bore: 22.23 mm  
 Depth: 12.7 mm  
 Centre-to-Centre: 300 mm  
 Pre-drilled

**Surface Mounted  
Base Shoe**

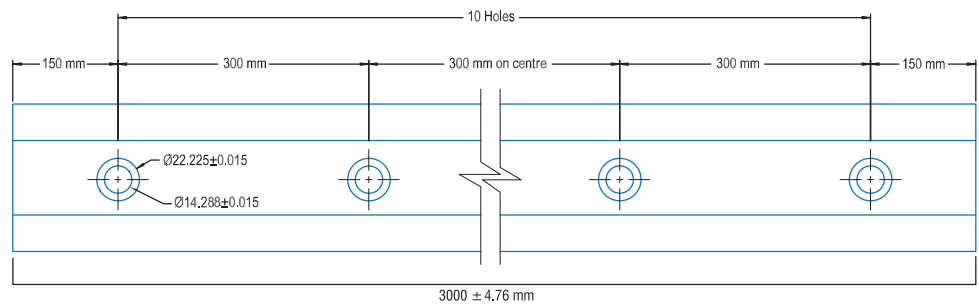
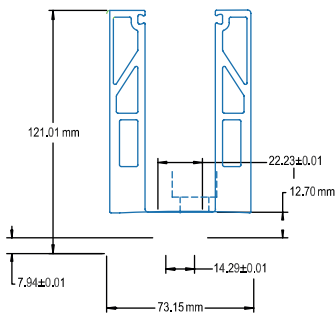
**Cat. No. 9BL56D**  
Mill Finish

**Fascia Mounted  
Base Shoe**

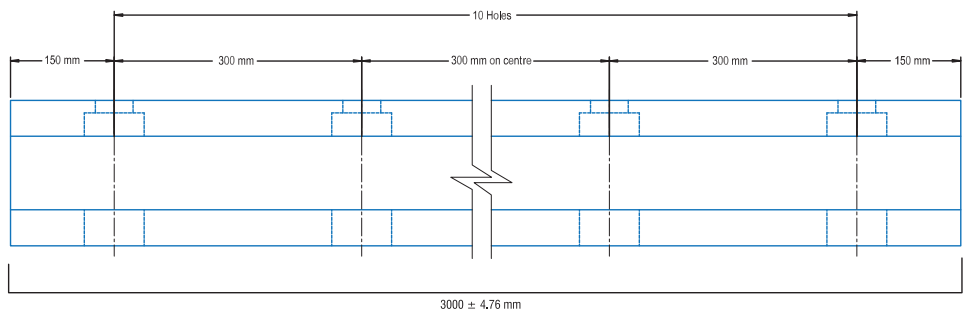
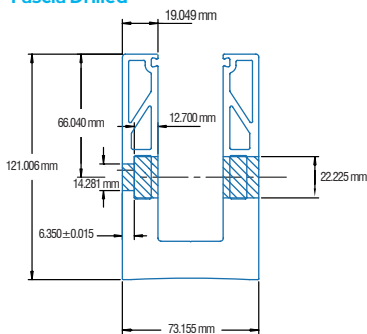
**Cat. No. 9BL56F**  
Mill Finish



### Base Drilled



### Fascia Drilled



**For matching tapers, bolts and gaskets, see page 35**

# CRL TAPER-LOC® 9BL68 Series Standard Square Base Shoes

## Designed for fixing 17.52 mm glass

- For residential including stairs and landings but excluding external balconies and edges of roofs
- For use with 17.52 mm laminated toughened glass
- Safety-seal compatible
- Available in 3 finishes

### Measurements:

Stock length: 3 m  
 Hole Size: 20 mm  
 Counter Bore: 31.7 mm  
 Depth: 12.7 mm  
 Centre-to-Centre: 300 mm  
 Pre-drilled

### Surface Mounted Base Shoe

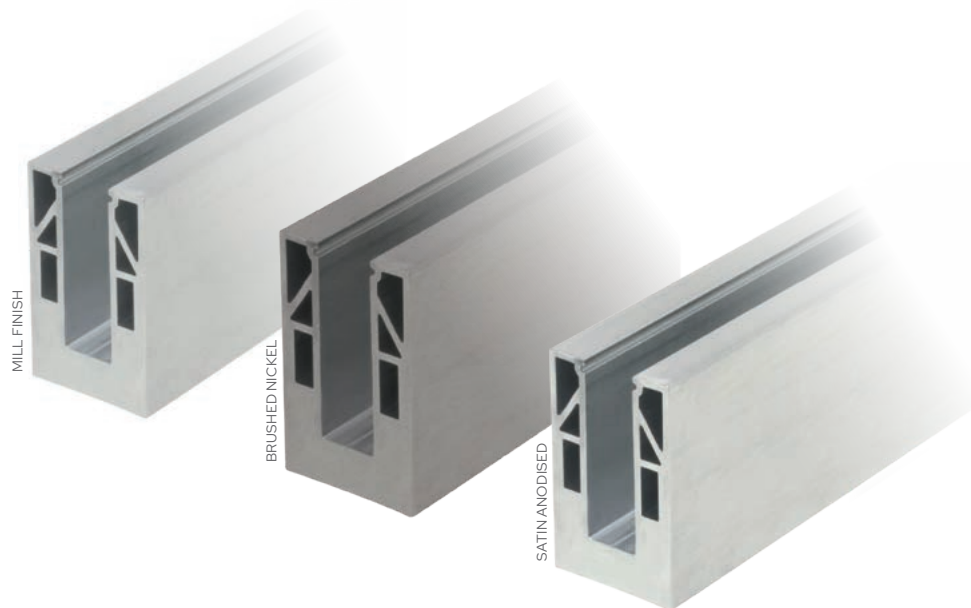
**Cat. No. 9BL68D**  
 Mill Finish

**Cat. No. 9BL68DBN**  
 Brushed Nickel

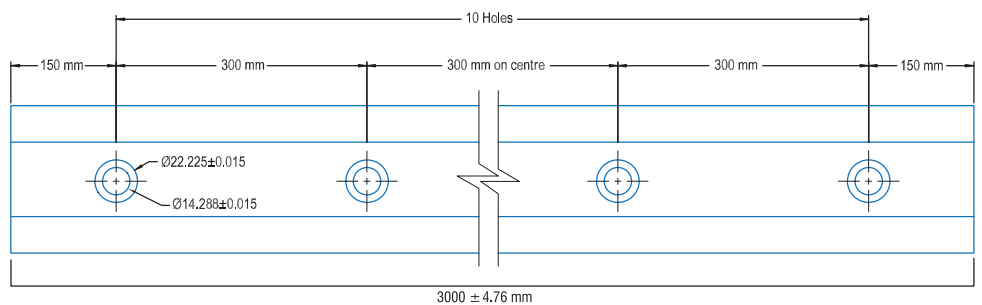
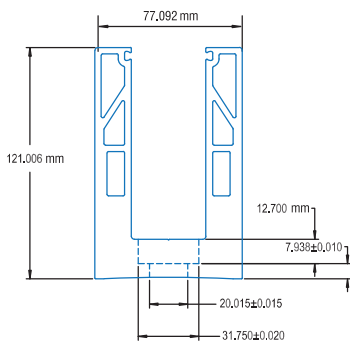
**Cat. No. 9BL68DSA**  
 Satin Anodised

### Fascia Mounted Base Shoe

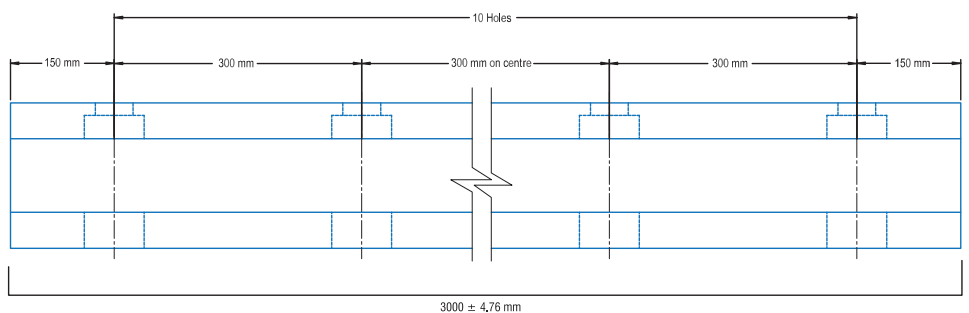
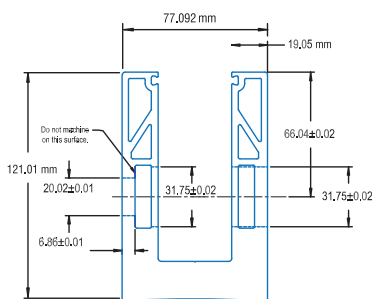
**Cat. No. 9BL68F**  
 Mill Finish



### Base Drilled



### Fascia Drilled



For matching tapers, bolts and gaskets, see page 35

# CRL TAPER-LOC® 9BL21 Series Standard Square Base Shoe

## Designed for fixing 21.52 mm glass

- For commercial areas not susceptible to overcrowding
- For use with 21.52 mm laminated toughened glass
- Safety-seal compatible
- Available in 3 finishes

### Measurements:

Stock length: 3 m  
 Hole Size: 20 mm  
 Counter Bore: 31.7 mm  
 Depth: 12.7 mm  
 Centre-to-Centre: 300 mm  
 Pre-drilled

### Surface Mounted Base Shoe

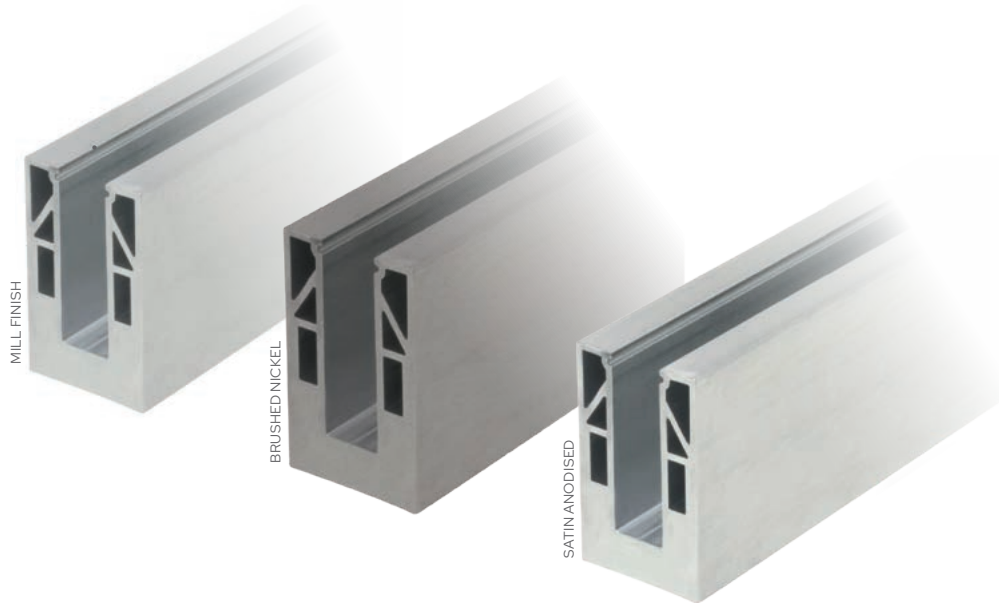
**Cat. No. 9BL21D**  
 Mill Finish

**Cat. No. 9BL21DBN**  
 Brushed Nickel

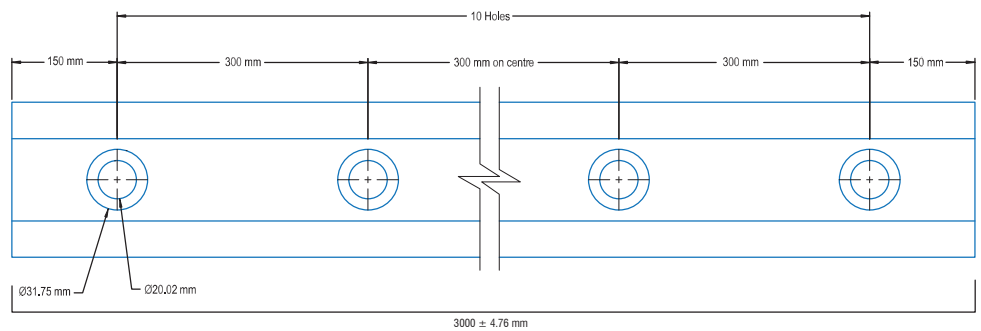
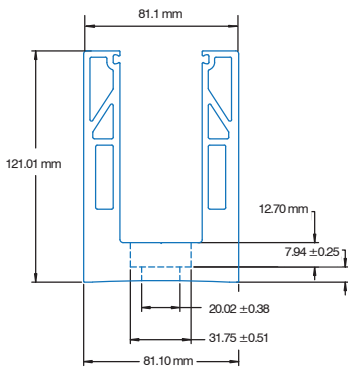
**Cat. No. 9BL21DSA**  
 Satin Anodised

### Fascia Mounted Base Shoe

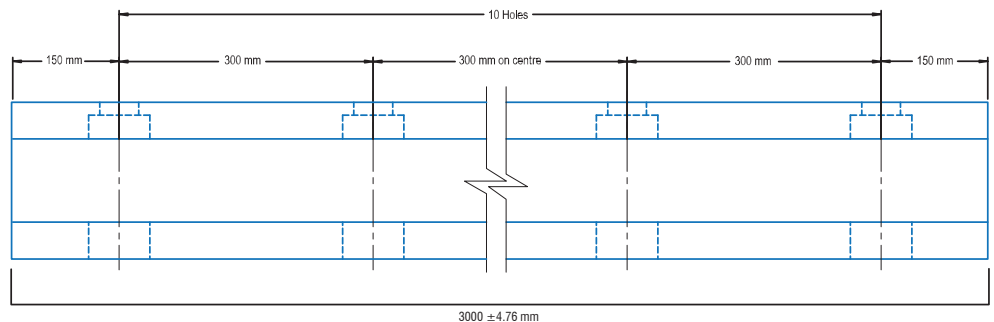
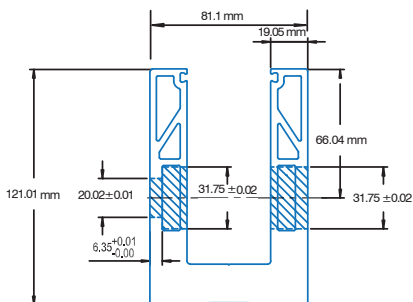
**Cat. No. 9BL21F**  
 Mill Finish



### Base Drilled



### Fascia Drilled



For matching tapers, bolts and gaskets, see page 35



# CRL TAPER-LOC® Flange Fix Base Shoe

## Designed for fixing 21.52 mm glass

- Allows quick and easy slab edge installations
- Taper-Loc® can now be installed flush with the slab edge and from the safe side
- Uses existing innovative Taper-Loc® installation system, complete with safety side gasket
- Tested to 0.74KN With 21.52mm toughened laminated glass in accordance with BS6180-2011
- No need for cladding, supplied in a Brushed Nickel anodised finish
- Safety seal gasket for safe side installations supplied on request

**Flanged Aluminium  
Base Shoe**  
**Cat. No. 9BL21FLBN**  
Brushed Nickel  
Anodised



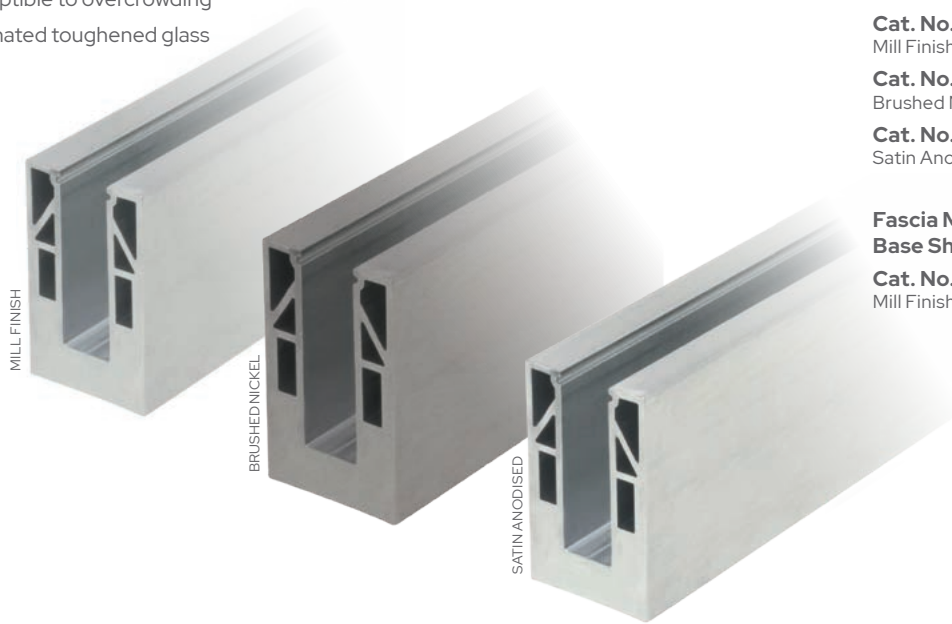
# CRL TAPER-LOC® 9BL25 Series Standard Square Base Shoe

## Designed for fixing 25.52 mm glass

- For commercial areas susceptible to overcrowding
- For use with 25.52 mm laminated toughened glass
- Safety-seal compatible
- Available in 3 finishes

### Measurements:

Stock length: 3 m  
 Hole Size: 20 mm  
 Counter Bore: 31.7 mm  
 Depth: 12.7 mm  
 Centre-to-Centre: 300 mm  
 Pre-drilled



### Surface Mounted Base Shoe

**Cat. No. 9BL25D**  
Mill Finish

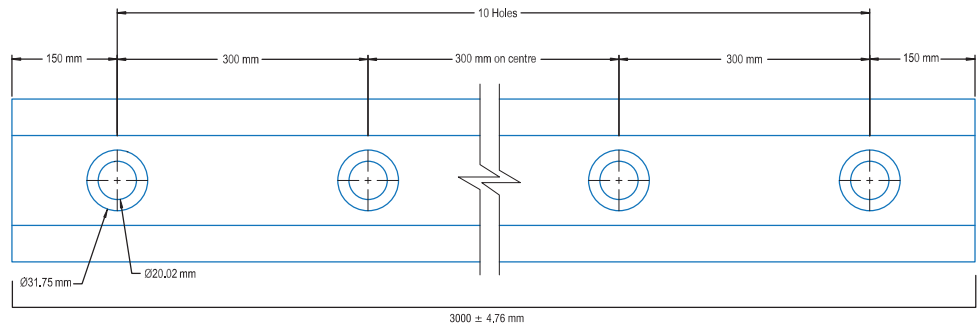
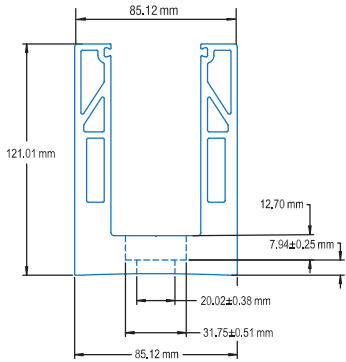
**Cat. No. 9BL25DBN**  
Brushed Nickel

**Cat. No. 9BL25DSA**  
Satin Anodised

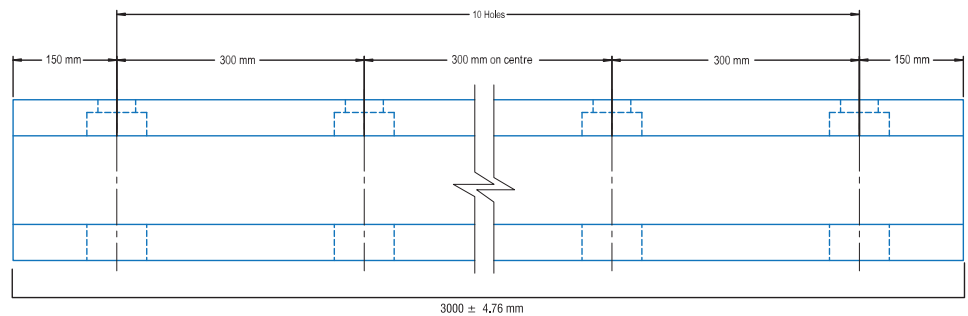
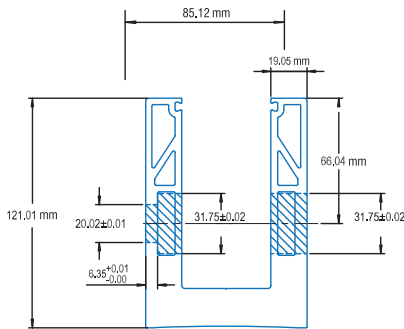
### Fascia Mounted Base Shoe

**Cat. No. 9BL25F**  
Mill Finish

### Base Drilled



### Fascia Drilled



### CRL Kwixset® Expanding Cement

- Versatile high strength cement for setting glass panels in to base shoe as an alternative to using TAPER-LOC®
- Kwixset® for exterior and interior applications
- Great for setting core mount stanchions for vertical posts
- Expands as it sets
- Fast setting, they will not shrink or crack when used as directed
- Simply mix with water
- CRL recommends consulting with the glass fabricator prior to wet setting laminated toughened glass

**Cat. No. KWX25**  
11.3 kg

**Cat. No. KWX50**  
22.6 kg

**Tested to 3kN using Kwixset Cement using SGP laminated interlay.**

# CRL TAPER-LOC® Tapers, Bolts and Gaskets for 9BL Series



## CRL TAPER-LOC® Taper Set for Laminated Toughened Glass

- Includes four Tapers and one L-setting block
- For use with CRL's laminated toughened glass high strength base shoe only
- For use with 13.52 mm, 17.52 mm, 21.52 mm and 25.52 mm glass

**Cat. No. LTL96X**  
For use with 13.52 mm and 17.52 mm glass

**Cat. No. LTL10X**  
For use with 21.52 mm and 25.52 mm glass



For use with concrete



For use with steel

## CRL TAPER-LOC® Bolts for 9BL Series Laminated Glass Base Shoes

**Cat. No. EAM12**  
For use with concrete

**Cat. No. HHM1420**  
For use with steel

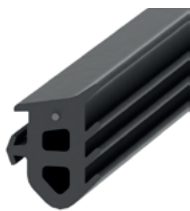


## CRL TAPER-LOC® Top Rubber Gasket for Laminated Toughened Glass

- Can be used on both sides once glass is installed

**Cat. No. LBSG100**  
30.5 m roll length

**Cat. No. LBSG200**  
61 m roll length



SLBSG1



LBSG100

## CRL TAPER-LOC® Safety Seal for Laminated Glass

- Can be used to fix the drop side seal in to the base shoe prior to inserting the glass
- Allows installer to always work from the safe side and avoid the need for expensive scaffolding

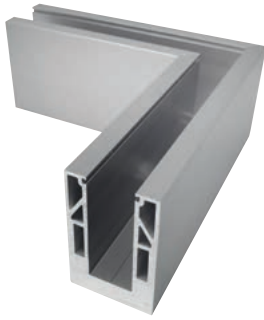
**Cat. No. SLBSG1**  
"Drop-Side" safety seal  
30.5 m roll length

**Cat. No. LBSG100**  
Inside safety seal  
30.5 m roll length

**Cat. No. LBSG200**  
Inside safety seal  
61 m roll length

# CRL TAPER-LOC® 90° Corners, Cladding and End Caps for 9BL Series Base Shoes

## CRL TAPER-LOC® 90° Corner Connectors for Laminated Glass Base Shoe



### For 17.52 mm Glass

**Cat. No. 9BL6890D**  
Mill Finish

**Cat. No. 9BL6890DBN**  
Brushed Nickel

**Cat. No. 9BL6890DSA**  
Satin Anodised

### For 25.52 mm Glass

**Cat. No. 9BL2590D**  
Mill Finish

**Cat. No. 9BL2590DBN**  
Brushed Nickel

**Cat. No. 9BL2590DSA**  
Satin Anodised

### For 21.52 mm Glass

**Cat. No. 9BL2190D**  
Mill Finish

**Cat. No. 9BL2190DBN**  
Brushed Nickel

**Cat. No. 9BL2190DSA**  
Satin Anodised

## CRL TAPER-LOC® Base Fixed Cladding for Laminated Glass Base Shoe



Base Shoe sold separately

### For 13.52, 17.52, 21.52 and 25.52 mm Glass, 316 Grade

**Cat. No. LBSCBS10**  
Brushed Stainless Steel

**Cat. No. LBSCPS10**  
Polished Stainless Steel

## CRL TAPER-LOC® Fascia Fixed Cladding for Laminated Glass Base Shoe

Inside Fascia Cladding



Base Shoe sold separately

Outside Fascia Cladding

### Outside Fascia Cladding

#### For 13.52 mm Glass

**Cat. No. L56COFBS**  
Brushed Stainless Steel

**Cat. No. L56COFPS**  
Polished Stainless Steel

#### For 17.52 mm Glass

**Cat. No. L68COFBS**  
Brushed Stainless Steel

**Cat. No. L68COFPS**  
Polished Stainless Steel

#### For 21.52 mm Glass

**Cat. No. L21COFBS**  
Brushed Stainless Steel

**Cat. No. L21COFPS**  
Polished Stainless Steel

#### For 25.52 mm Glass

**Cat. No. L25COFBS**  
Brushed Stainless Steel

**Cat. No. L25COFPS**  
Polished Stainless Steel

### Inside Fascia Cladding

#### For 13.52, 17.52, 21.52 and 25.52 mm Glass

**Cat. No. L56C1FBS**  
Brushed Stainless Steel

**Cat. No. L56C1FPS**  
Polished Stainless Steel

## CRL TAPER-LOC® End Caps for Laminated Glass Base Shoe



### For 13.52 mm Glass

**Cat. No. L56SECBS**  
Brushed Stainless Steel

**Cat. No. L56SECPS**  
Polished Stainless Steel

### For 13.52 mm Glass

**Cat. No. L68SECBS**  
Brushed Stainless Steel

**Cat. No. L68SECPS**  
Polished Stainless Steel

**Cat. No. 9BL68ECBN**  
Brushed Nickel

**Cat. No. 9BL68ECSA**  
Satin Anodised

### For 21.52 mm Glass

**Cat. No. L21SECBS**  
Brushed Stainless Steel

**Cat. No. L21SECPS**  
Polished Stainless Steel

**Cat. No. 9BL21ECBN**  
Brushed Nickel

**Cat. No. 9BL21ECSA**  
Satin Anodised

### For 25.52 mm Glass

**Cat. No. L25SECBS**  
Brushed Stainless Steel

**Cat. No. L25SECPS**  
Polished Stainless Steel

**Cat. No. 9BL25ECBN**  
Brushed Nickel

**Cat. No. 9BL25ECSA**  
Satin Anodised

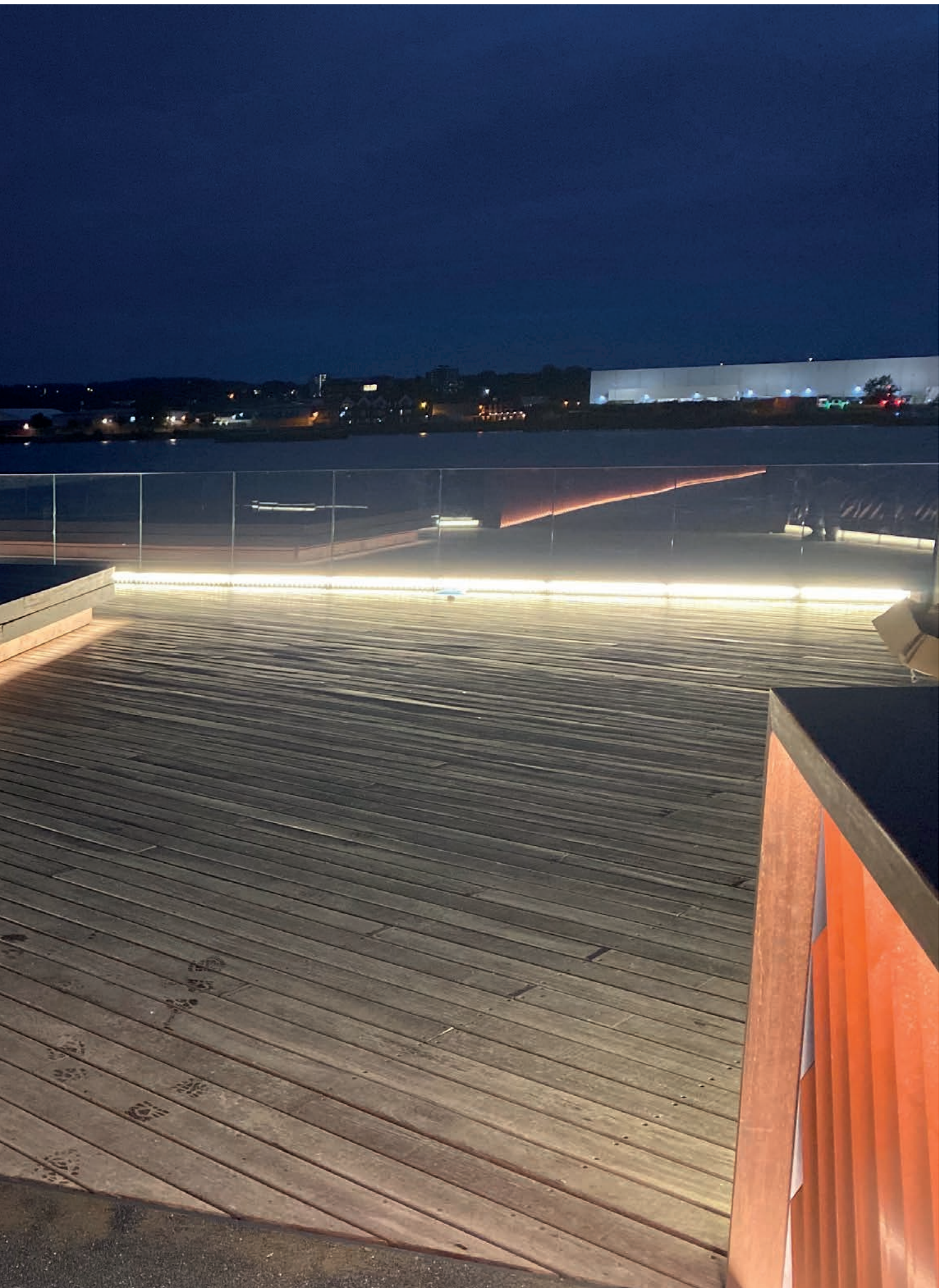




## CRL MEGAgrip

MEGAgrip is CRL's answer to a heavy-duty and fully adjustable 3kN commercial balustrade system, designed as a highly-durable public safety barrier for large commercial constructs.

MEGAgrip uses a variation of our popular Posiglaze screw-clamp technology to secure the glass in place. The system uses a 13 mm Hex Bolt and ¼ inch torque wrench and extension arm to tighten the bolts, for a quick and simple installation. Internal glass clamps allow for easy alignment of the glass within the channel, and are compatible with a wide range of glass thicknesses, making MEGAgrip one of the most adaptable balustrade systems on the market today. It can easily be further fortified with a simple conversion kit, to become a bomb-resistant or bullet-proof balustrade system. MEGAgrip is ideal for use as a public space barrier in busy locations such as transport hubs and venues, where there is a risk of overcrowding.







# KEY BENEFITS

## FAST AND EASY TO INSTALL AND ADJUST

One of the most simple balustrade systems to fit and adjust thanks to its patented screw-clamp technology. Dry glazed where no specialist tools are required. Glass can easily be removed and replaced if required.

## FULLY ACCREDITED UP TO 3.00kN

MEGAgrip is accredited and approved by multiple organisations to verify that it meets national and international building regulations for use as edge protection, where up to 3.00kN force loading is required.

## LIGHTWEIGHT AND STRONG

Precision engineered using extruded aluminum with a geometrically hollowed out core, providing an incredible strength to weight ratio. For added protection MEGAgrip is anodised to 25 microns.

## APPROPRIATE FOR COMMERCIAL AND ANTI-TERROR USES

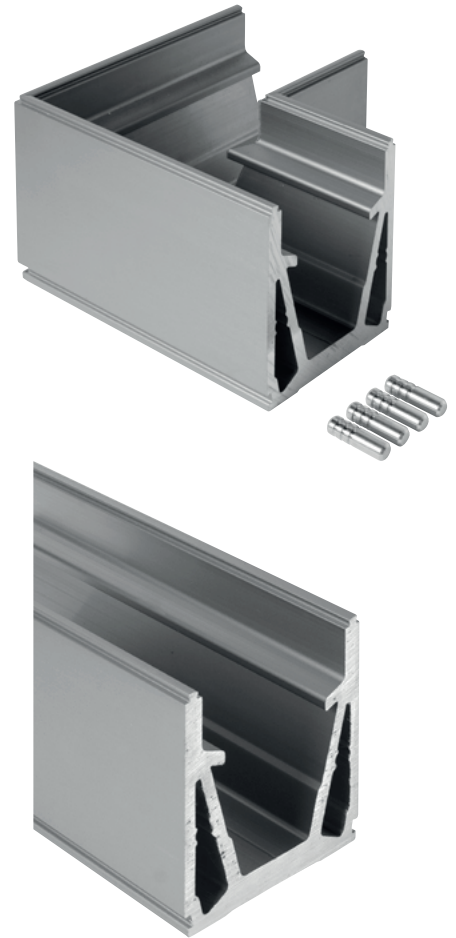
With 3.00kN force loading capability, MEGAgrip is a commercially appropriate product which can be fortified using conversion kits into bomb-resistant or bullet-proof balustrade systems.

## CAN BE USED WITH A WIDE RANGE OF GLASS TYPES

MEGAgrip is a highly versatile product which can be used with glass thicknesses ranging from 25 mm - 33 mm, using either toughened glass, toughened PVB laminate glass or SentryGlas.

## GLASS IS EASY TO REMOVE AND CHANGE POST USE

MEGAgrip is as easy to assemble as it is to disassemble, making it simple to install replacement glass panels following use as a bomb-resistant or bullet-proof barrier.



## CRL MEGAgrip Applications



### PUBLIC BUILDINGS

- Offices
- Government Buildings
- Music Venues
- Sports Stadiums
- Shopping Centres



### TRANSPORT HUBS

- Airports
- Railway Stations
- Service Stations
- Metro Stations



### TALL GLASS SCREENS

- Privacy Screens
- High Rise Balconies
- Penthouses
- Restaurant Terraces
- Roof Terraces

# CRL MEGAgrip Accessories

## The complete accessory range...

MEGAgrip benefits from a complete accessory range designed to complement your installation.

The MEGAgrip accessory range includes everything you need to complete your installation, such as end caps to create a tidy finish when your balustrade doesn't finish against a fixed point, side cladding, top bead and 90-degree pre-fabricated corners to make installing a corner extremely simple.



### Silver brushed pre-fabricated corner

- Save time on installation by using a pre-fabricated corner
- 90 degree corner
- Includes 4 joining dowels and brushed aluminium top bead to fit the corner

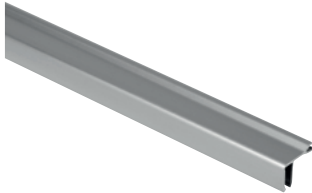
Cat. No. EMG90BN



### Silver brushed knock-in end cap

- Seamless tidy finish to any MEGAgrip balustrade installation
- Includes dowels that simply knock into the end of the drilled balustrade channel

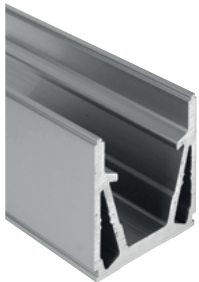
Cat. No. EMGDECBN



### Silver brushed aluminum top bead

- Uses tongue in groove system to fix along the top edges of the balustrade for a tidy finish
- Hides the internal mechanism while helping prevent water and debris getting inside
- Available in 3 meter lengths

Cat. No. EMGTS



### Silver brushed side cladding

- Easily fitted with a tongue and groove attachment
- Combines side cladding with top bead for a seamless installation
- Holds co extruded gasket in place
- Gasket not included
- Available in 3 meter lengths

Cat. No. EMGDBN



### Clamp and gasket set

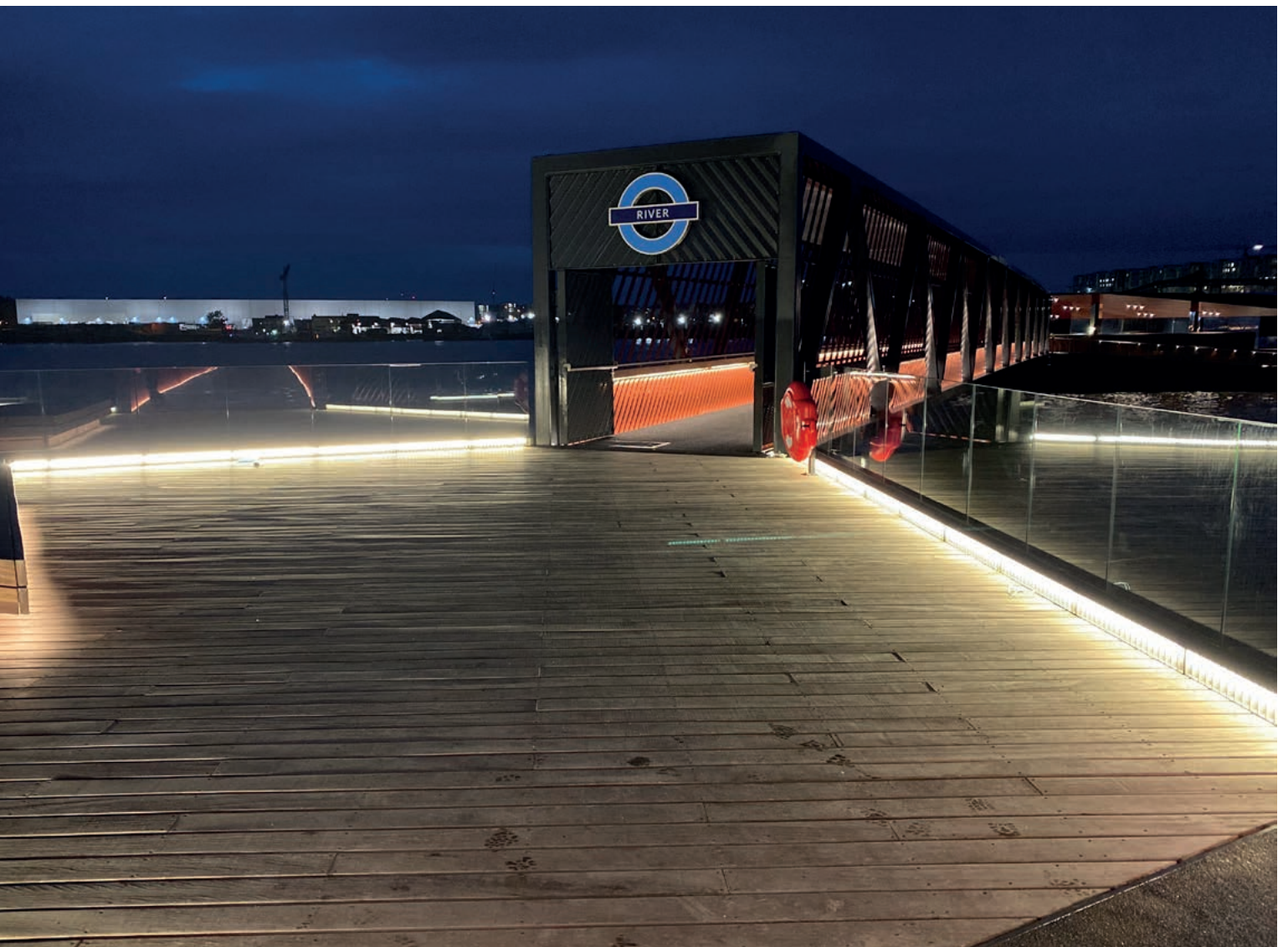
- Includes
- 1 x 3 meter length of silver brushed aluminium base drilled MEGAgrip channel.
  - 2 x 3 meter length of silver brushed aluminium top bead
  - 12 clamps
  - 24 bars
  - 24 MEGAhooks
  - 24 M8 flange nuts
  - 1 x 6 meter roll of co extruded gasket.

**Cat. No. EMG255SET**  
For a glass thickness of 25.52mm

**Cat. No. EMG25SET**  
For a glass thickness of 25mm

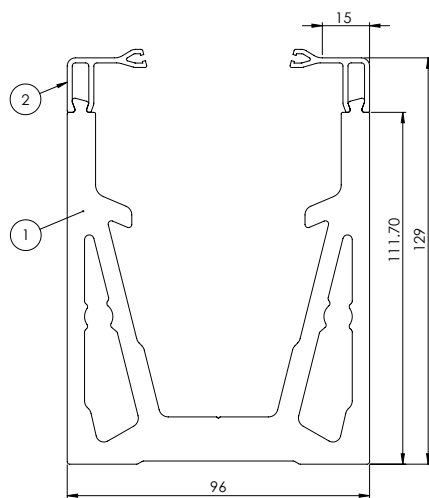
**Cat. No. EMG315SET**  
For a glass thickness of 31.5mm

**Cat. No. EMG33SET**  
For a glass thickness of 33mm

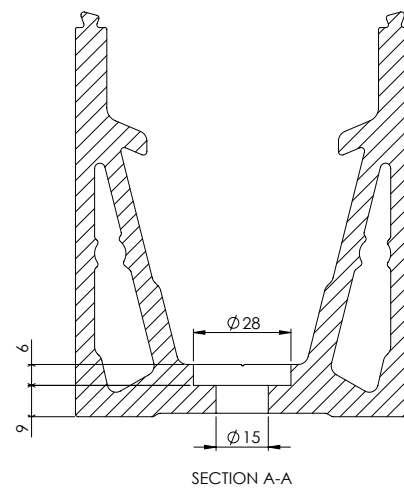


## CRL MEGAgrip Technical Drawings

MEGAgrip channel with top bead



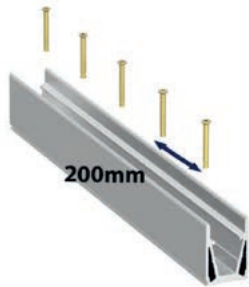
MEGAgrip hole dimensions



# CRL MEGAgrip Installation Guide

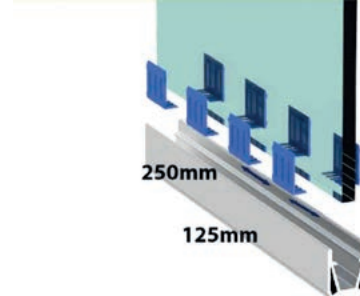
## Simple to install and adjust

MEGAgrip is one of the most simple balustrade channel systems to install and adjust with its screw-clamp technology. These step by step instructions guide you through the installation process.



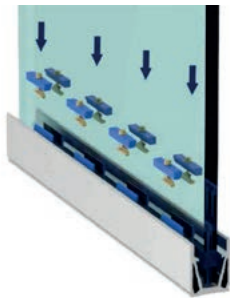
### STEP 1 - FIT THE CHANNEL

Drill bolt holes into your substrate starting at 100 mm from the edge and then at 200 mm intervals thereafter. Lay the channel on top aligning it with your drilled holes. Fix the channel using an appropriate bolt.



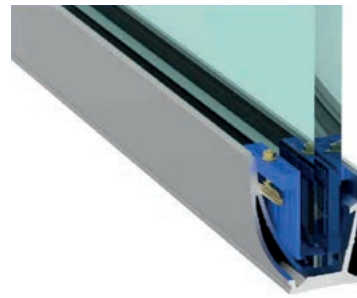
### STEP 2 - CLAMP THE GLASS

Make up the clamps by loosely slotting the left and right hand sides together. Clamp these to the bottom edge of the glass at 250 mm intervals, starting at 125 mm from the first side edge. Squeeze the clamps tight around the glass and place the glass into the channel.



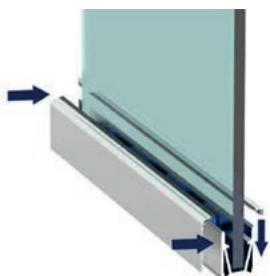
### STEP 3 - FIT THE BARS

Assemble the MEGAhooks, nuts and bars so that the wide side of the bar is at the top next to the nut, with the MEGAhook below. Drop these, MEGAhooks down, either side of each glass clamp so that the lip on the MEGAhook hooks into the wall of the channel.



### STEP 4 - ADJUST THE GLASS

With the bolts loosely in place, the glass panel can tilt in either direction. Align the panel as required, then tighten the nuts using a torque wrench (Torque setting 15Nm). A threadlocker can provide added security.



### STEP 5 - ADD TOP BEAD

Top bead and gasket simply slides or clips onto the top edge of the channel.



### STEP 6 - FINISH INSTALLATION

Your installation is complete!

# CRL MEGAgrip Accreditations

The table below shows the line loading that MEGAgrip is certified to achieve.

These tests have been conducted in accordance with BS6180:2011 to certify that MEGAgrip meets the force loading requirement under this British standard for a range of glass height and thickness configurations.

GLASS TYPE >		25 MM TOUGHENED GLASS	25.5 MM TOUGHENED PVB				25.5 MM SENTRY GLASS			31.5 MM TOUGHENED PVB			33 MM TOUGHENED PVB
GLASS HEIGHT MM >		1100	1200	1500	1800	1100	1500	1800	1100	1800	2000	1100	
0.74kN LINE LOAD	STEEL							✓					
	CONCRETE			✓									
1.50kN LINE LOAD	STEEL		✓				✓			✓	✓		
	CONCRETE		✓				✓	✓			✓		
3.00kN LINE LOAD	STEEL	✓				✓			✓			✓	
	CONCRETE	✓				✓			✓			✓	





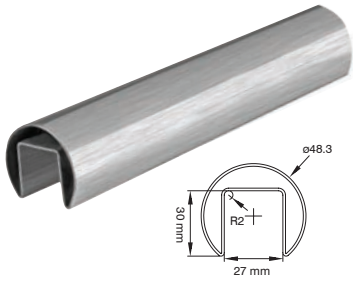
## CRL Cap Rails and Hand Rails

---

Complete the look with the safety of a cap or hand rail fixed with vinyl or silicone, depending on your glass thickness.



# CRL Round Cap Rails



## CRL Round Cap Rail

- For use with 12 mm to 21.52 mm glass with vinyl inserts - see page 50
- For 25.52 mm glass with silicone - see page 51
- 316 stainless steel
- Connects to a variety of fabricated corners and end caps
- 1.2 mm material thickness

**Cat. No. EUGR20BS**  
Brushed Stainless Steel -  
3 m Length

**Cat. No. EUGR20BS14**  
Brushed Stainless Steel -  
4.2 m Length

**Cat. No. EUGR20PS**  
Polished Stainless Steel -  
3 m Length

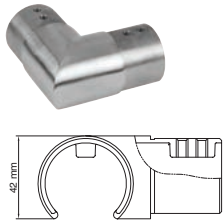
**Cat. No. EUGR20PS14**  
Polished Stainless Steel -  
4.2 m Length



## CRL Round Internal Connector

- Used with 48.3 mm cap rail
- 316 grade stainless steel
- 1.2 mm material thickness

**Cat. No. EUGR20CSS**  
Brushed Stainless Steel

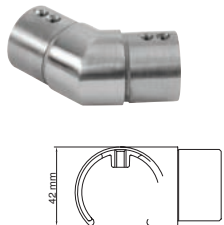


## CRL Round 90° Corner

- Used with 48.3 mm cap rail
- 316 grade stainless steel
- 1.2 mm material thickness

**Cat. No. EUGR20HBS**  
Brushed Stainless Steel

**Cat. No. EUGR20HPS**  
Polished Stainless Steel

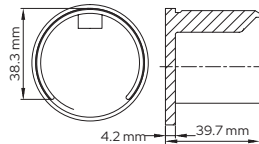


## CRL Round 135° Corner

- Used with 48.3 mm cap rail
- 316 grade stainless steel
- 1.2 mm material thickness

**Cat. No. EUGR20H3BS**  
Brushed Stainless Steel

**Cat. No. EUGR20H3PS**  
Polished Stainless Steel

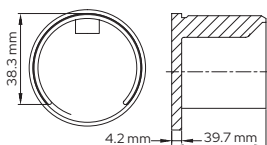


## CRL Round End Cap

- Used with 48.3 mm cap rail
- 316 grade stainless steel
- 1.2 mm material thickness

**Cat. No. EUGR20ECBS**  
Brushed Stainless Steel

**Cat. No. EUGR20ECPS**  
Polished Stainless Steel



## CRL Round Securing End Cap

- Used with 48.3 mm cap rail
- 316 grade stainless steel
- Comes with fixing screws
- 1.2 mm material thickness

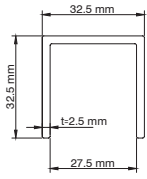
**Cat. No. EUGR20SECBS**  
Brushed Stainless Steel

**Cat. No. EUGR20SECPS**  
Polished Stainless Steel





# CRL Square Cap Rails



## CRL Square Cap Rail

- For 12 mm to 21.52 mm glass with vinyl inserts – see page 50
  - Sold per 3 metre length
  - 316 grade stainless steel
  - 2.5 mm material thickness
- Contact our Technical Advisors if using 25.52 mm laminated toughened glass for further details on [QQ\\_800\\_0421\\_6144](mailto:QQ_800_0421_6144)

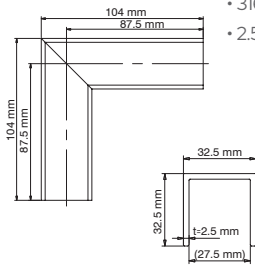
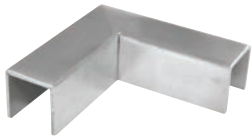
**Cat. No. EUL10BS**  
Brushed Stainless Steel  
**Cat. No. EUL10PS**  
Polished Stainless Steel



## CRL Square Internal Connectors

- 316 grade stainless steel
- 2.5 mm material thickness

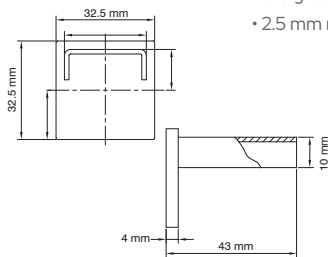
**Cat. No. EUL10CSS**  
Brushed Stainless Steel



## CRL Square 90° Corner

- 316 grade stainless steel
- 2.5 mm material thickness

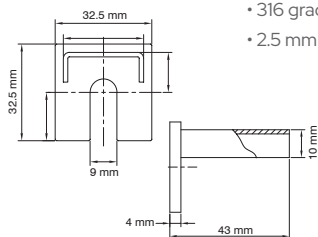
**Cat. No. EUL10HBS**  
Brushed Stainless Steel  
**Cat. No. EUL10HPS**  
Polished Stainless Steel



## CRL Square End Caps

- 316 grade stainless steel
- 2.5 mm material thickness

**Cat. No. EUL10ECBS**  
Brushed Stainless Steel  
**Cat. No. EUL10ECPS**  
Polished Stainless Steel



## CRL Square Securing End Caps

- 316 grade stainless steel
- 2.5 mm material thickness

**Cat. No. EUL10SECBS**  
Brushed Stainless Steel  
**Cat. No. EUL10SECPS**  
Polished Stainless Steel

# CRL Vinyl Inserts for Round (EUGR20) and Square (EUL10) Cap Rails



## CRL Vinyl Insert for 12 mm Glass

- Use with 48.3 mm cap rail and CRL square cap rail
- Cap rail vinyl

**Cat. No. EUGR5PV**

3 m Length

**Cat. No. EUGR5PV14**

4.2 m Length



## CRL Vinyl Insert for 15 mm Glass

- Use with 48.3 mm cap rail and CRL square cap rail
- Cap rail vinyl

**Cat. No. EUGR6PV**

3 m Length

**Cat. No. EUGR6PV14**

4.2 m Length



## CRL Vinyl Insert for 19 mm Glass

- Use with 48.3 mm cap rail and CRL square cap rail
- Cap rail vinyl

**Cat. No. EUGR7PV**

3 m Length

**Cat. No. EUGR6PV14**

4.2 m Length



## CRL Vinyl Insert for 13.52 mm Glass

- Use with 48.3 mm cap rail and CRL square cap rail
- Cap rail vinyl

**Cat. No. EUGR56PV**

3 m Length

**Cat. No. EUGR56PV14**

4.2 m Length



## CRL Vinyl Insert for 17.52 mm Glass

- Use with 48.3 mm cap rail and CRL square cap rail
- Cap rail vinyl

**Cat. No. EUGR68PV**

3 m Length

**Cat. No. EUGR68PV14**

4.2 m Length



## CRL Vinyl Insert for 21.52 mm Glass

- Use with 48.3 mm cap rail and CRL square cap rail
- Cap rail vinyl

**Cat. No. EUGR21PV**

3 m Length

**Cat. No. EUGR21PV14**

4.2 m Length

**For 25.52 mm glass use EURTV408 Silicone - see overleaf**

## CRL Loctite® Metal Contact Cement

- The strength of an epoxy and the speed of an instant adhesive
- Permanently bonds cap rails, hand rails, and their accessories with superior strength holding power up to 4,900psi
- Offers handling strength in 60 seconds, full cure in 24 hours
- Fixing handrail and cap rail connectors

**Cat. No. 32629**  
Contact Cement

**Cat. No. 7649**  
60 Second Primer



## CRL Loctite® 60 Second Primer for Metal Contact Cement

- Use with Cat. No. 32629 for 60 second activation
- Single component non-CFC solvent based surface activator

## CRL Kwixset® Expanding Cement

- Suitable for exterior and interior applications
- Great for setting core mount stanchions for vertical posts
- Fast setting, will not shrink or crack when used as directed
- CRL recommends consulting with the glass fabricator prior to wet setting laminated tempered glass

**Cat. No. KWX25**  
11.3 kg

**Cat. No. KWX50**  
22.7 kg



## CRL Industrial and Construction Silicone

- Low odour, neutral cure formula
- Compatible with insulating glass glazing
- Excellent adhesion to most surfaces
- Low modulus
- High quality formula - low shrinkage
- 300 ml cartridge, 12 per case

**Cat. No. EURTV408C**  
Clear

**Cat. No. EURTV408W**  
White

**Cat. No. EURTV408BL**  
Black

**Cat. No. EURTV408G**  
Grey

**Cat. No. EURTV408A**  
Anthracite





## CRL Spig-Lite Pro

CRL Spig-Lite Pro is our latest adjustable glass balustrade system that uses individual spigots and utilises the same adjustable clamping system method as CRL Posiglaze. It is quick and easy to install, raising the glass to 32 mm above the floor level which provides natural drainage.

It has been tested to BS6180:2011 to achieve 0.74kN loading required for residential and small commercial applications.

TESTED TO  
**BS 6180:2011**



# CRL Spig-Lite Pro is ideal for residential balustrade installations.

### ONLY 2 SPIGOTS & FIXINGS REQUIRED PER METRE

Extremely quick to install, elongated holes to allow for easy alignment.

### NO NEED TO DRILL THE GLASS

Our glass clamping mechanism removes the need to hold the glass with locking pins.

### NO DRAINAGE ISSUES

Free drainage between the spigots means no water gets trapped inside the balcony area.

### USES THE SAME PROVEN ADJUSTMENT SYSTEM AS POSIGLAZE

Horizontal alignment of each glass panel, ensuring the top edge of the glass is equal.

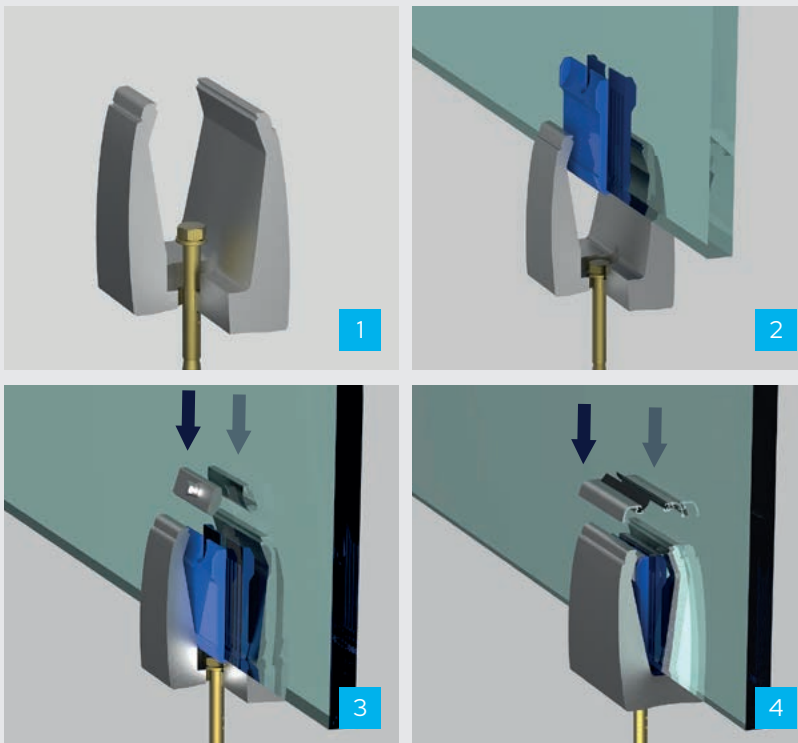
### EXCELLENTLY ENGINEERED

Tested to BS6180:2011 - 0.74kN for private residential and small commercial applications.

### GLASS THICKNESSES

- 12 mm and 15 mm toughened monolithic glass
- 21.52 mm toughened laminated glass

**NOTE:** ALL GLASS CLAMPS HAVE A 1MM TOLERANCE TO ACCEPT VARYING INTERLAYING THICKNESSES



## Spig-Lite Pro is so easy to install

### STEP 1

Bolt the spigots to the substrate.  
(Only 2 spigots required per metre).

### STEP 2

Firmly squeeze the clamps around the glass and lower into the Spigots.

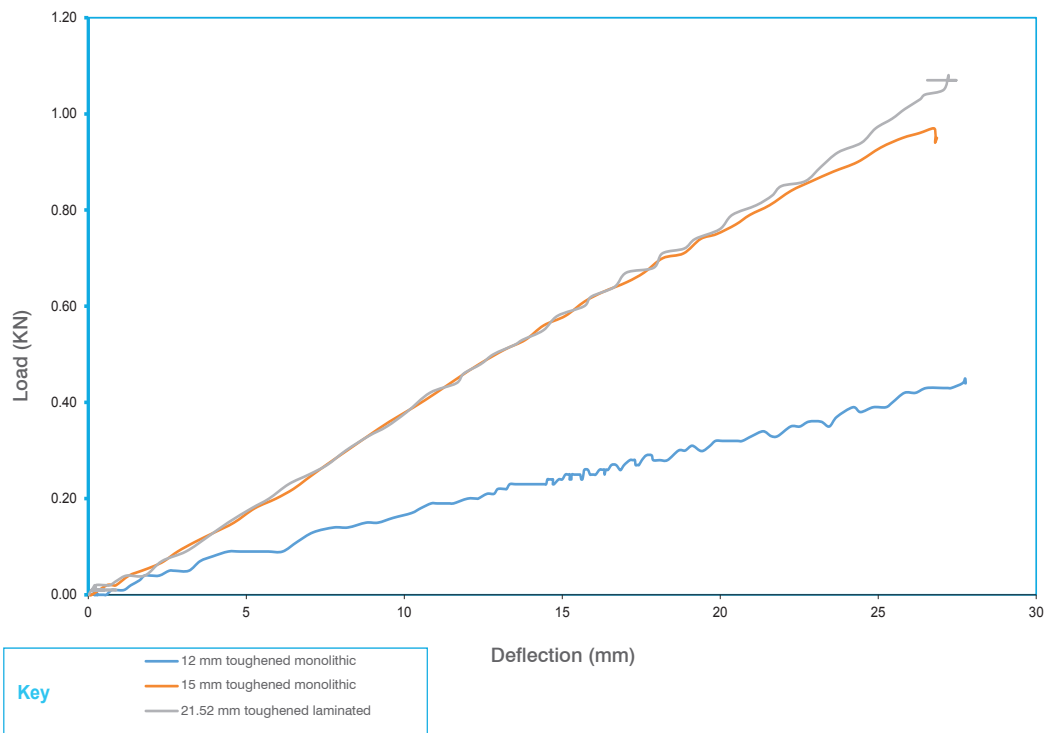
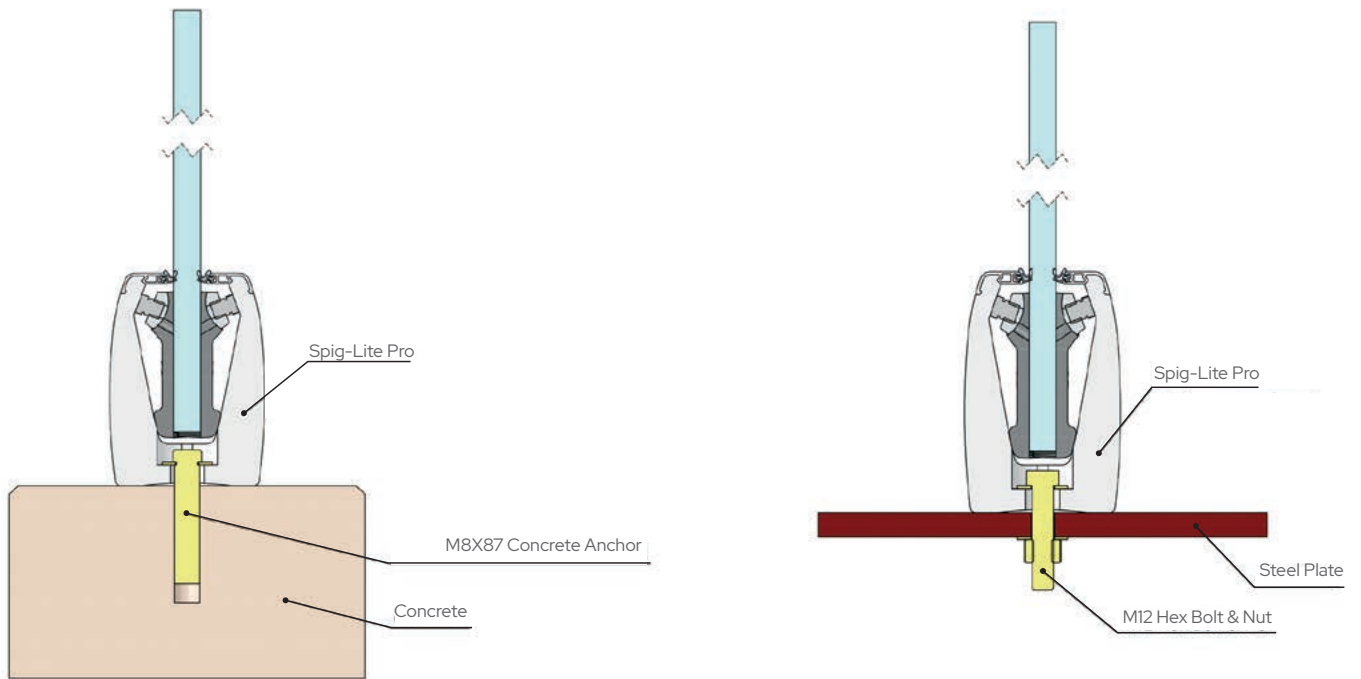
### STEP 3

Thread the bolt in the clamp bar and position them within the moulded clamp area. Adjust and lock the glass in position by undoing the screw.

### STEP 4

Slip the gasket in the top recess of the top bead. Apply adhesive to the top bead and place on the Spigot.

# CRL Spig-Lite Pro Typical Installations



GLASS SPAN (MM)	GLASS THICKNESS	TEST HEIGHT (MM)	IMPOSED LINE LOAD AT 25MM DEFLECTION (KN/M)	WORKING LINE LOADS OR SYSTEM (KN/M)	DEFLECTION AT WORKING LINE LOAD FOR SYSTEM (MM)
1000	12 mm toughened monolithic	1100	0.39	0.36	22.8
1000	15 mm toughened monolithic	1100	0.92	0.74	19.38
1000	21.52 mm toughened laminated	1100	0.98	0.74	19.21



For a standard 1 m glass balustrade, the following components will be required:

2 x Spigots

2 x Clamps

4 x Top Clips

1 x 1 m length Gasket

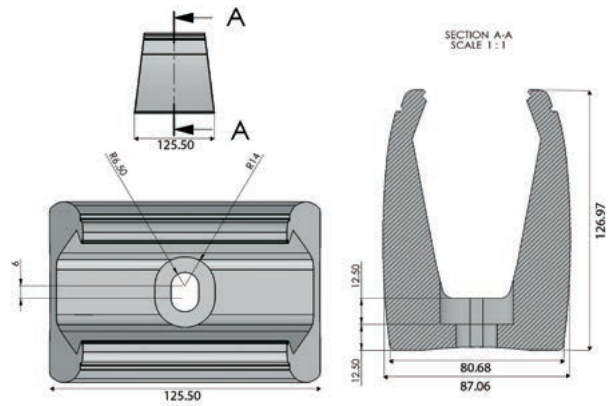


## Spigot

- For use with 12 to 21.52 mm glass
- Pre-drilled in the centre
- Pre-finished Graphite Grey
- End Cap also available ESP1GAEC

Cat. No. ESP1GA  
Spig-Lite Pro Spigot

Cat. No.  
ESP1GASAMPLE  
Spig-Lite Pro Sample





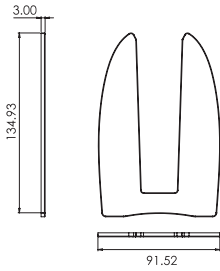
# CRL Spig-Lite Pro Components



## Top Clip

- Holds the gasket
- Pressed onto the channel at the end of the installation
- Pre-finished Graphite Grey

**Cat. No. ESP1GATC**  
For 12-21.52 mm glass



## End Caps

- Aluminium end cap
- Adhere using neutral cure silicone (not provided)

**Cat. No. ESP1GAEC**



## Clamp Kits

- Glass clamps have a  $\pm 1$  mm tolerance to accommodate varying interlayer thicknesses in the glass
- Includes the clamp bars which sit into the top mould of the clamps and the clamp bolts which screw into the bars and are then undone to hold the glass in place. These are undone and tightened each side allowing the glass alignment.

**Cat. No. ESP1GA12C**  
For 12 mm glass

**Cat. No. ESP1GA15C**  
For 15 mm glass

**Cat. No. ESP1GA17C**  
For 17.52 mm glass

**Cat. No. ESP1GA21C**  
For 21.52 mm glass



## Gasket

- 1 m length

**Cat. No. ESP1GASK**  
For 12-21.52 mm glass



For use with concrete



For use with steel

## Bolts for Spiglite pro

**Cat. No. EAM8**  
For use with concrete

**Cat. No. HHM12X40**  
For use with steel



## For an almost invisible “frameless” look...

Our Frameless Windscreen Clamps, which are also known as spigots, provide a break from the wind using an almost invisible “frameless” look. No vertical posts are used between the panels of glass; they are solely supported from the bottom by these high strength stainless steel clamps.

- Also known as spigots
- Gives an ‘all-glass’ frameless look
- Great for pool fencing, balcony, and deck applications
- Available in two standard architectural finishes
- 316 alloy and duplex 2205 marine grade finishes
- Designed for 12 mm toughened glazing



# CRL Frameless Windscreen Clamp System



## CRL 2205 Duplex Stainless Steel Surface Mount Friction Fit Spigots

- 2205 Duplex Stainless Steel
- Superior corrosion resistance and strength compared to 316 Stainless
- Friction fit
- Suitable for 12 mm Toughened Glass
- Not designed for guard rail applications

**Cat. No. FWCS22BS**  
Brushed Stainless

**Cat. No. FWCS22PS**  
Polished Stainless

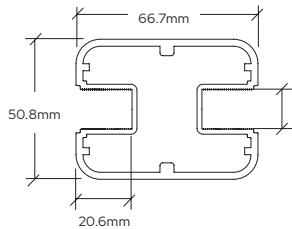


## CRL Brushed Stainless Steel 2205 Round Surface Mount Friction Fit Spigot

- 2205 Duplex Stainless Steel
- Superior corrosion resistance and strength compared to 316 Stainless
- Friction fit
- Suitable for 12 mm Toughened Glass
- Not designed for guard rail applications

**Cat. No. FWCR22BS**  
Brushed Stainless

**Cat. No. FWCR22PS**  
Polished Stainless

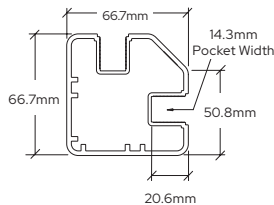


## CRL 241" Long 2" x 2-5/8" Square 180 Degree Post

- Ready to install
- Low maintenance with special coating to prevent corrosion
- 6.12 m stock length so you can cut custom heights
- Custom colours also available

**Cat. No. SP194S**  
Silver Metallic

**Cat. No. SP194BL**  
Matte Black

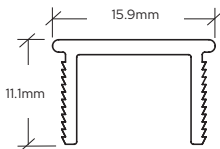
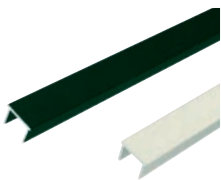


## CRL 241" Long 2" x 2-5/8" Square 90 Degree Post

- Ready to install
- Low maintenance with special coating to prevent corrosion
- 6.12 m stock length so you can cut custom heights
- Custom colours also available

**Cat. No. SP9194S**  
Silver Metallic

**Cat. No. SP9194BL**  
Matte Black

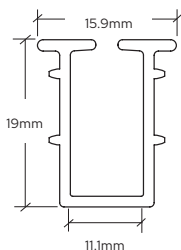
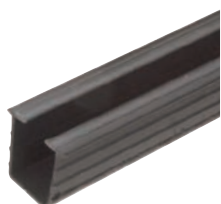


## CRL Metallic Silver 241" Glass Barrier Post Filler

- Ready to snap into glass pocket
- Low maintenance
- Special coating to prevent corrosion

**Cat. No. PF194S**  
Silver Metallic

**Cat. No. PF194BL**  
Matte Black

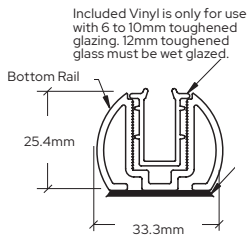


## CRL 144" Glass Barrier Post Rigid Glazing Vinyl

- Black colour rigid push-in glazing vinyl for use with aluminium windscreen posts and bottom rails
- Designed to accommodate 6 to 10 mm toughened glazing

**Cat. No. GV120BL**  
Matte Black

# CRL Frameless Windscreen Clamp System



## CRL 241" Bottom Rail Only for the Aluminum Windscreen System

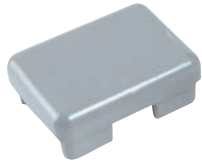
- Low maintenance
- Special coating to prevent corrosion
- Designed to accommodate 6 mm and 10 mm toughened glazing

**Cat. No. BR194S**

Silver Metallic

**Cat. No. BR194BL**

Matte Black



Cap shown on post

## CRL Rectangular AWS Post Cap for 180 Degree Center or End Post

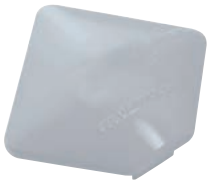
- Ready to install
- Attaches to post using crl's EURTV408BL silicone

**Cat. No. PC1EWS**

Silver Metallic

**Cat. No. PC1EWBL**

Matte Black



Cap shown on post

## CRL Square AWS Post Cap for 90 Degree Corner Post

- Ready to install
- Attaches to post using CRL's EURTV408BL silicon

**Cat. No. PC9SS**

Silver Metallic

**Cat. No. PC9SBL**

Matte Black



## CRL AWS Core Mount Stanchions

- Galvanized to prevent corrosion
- Available in four different sizes for round or rectangular windscreen posts
- Available in stainless steel for coastal installations
- Fits all of our rectangular or round aluminium posts

**Cat. No. PST1**

457 mm height  
Grade 50 steel  
Posts up to 914 mm high  
3.2 mm thick

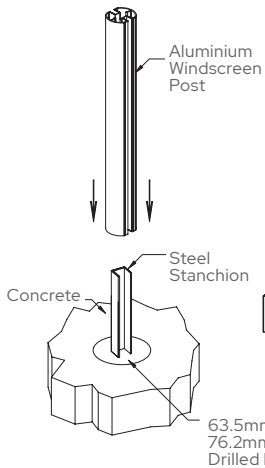
**Cat. No. PST2**

457 mm height  
Grade 50 steel  
Posts up to 1219 mm high  
6.3 mm thick

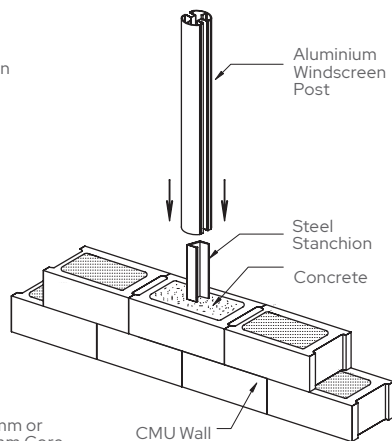
**Cat. No. PST3**

762 mm height  
Grade 50 steel  
Posts up to 1829 mm high  
6.3 mm thick

### Core Mount Installation for a Concrete Slab



### Core Mount Installation for CMU Block Walls



# CRL Frameless Windscreen Clamp System

## CRL AWS Welded Steel Surface Mount Stanchions

- Mounting bases available in seven standard colours, plus unfinished chromate to match AWS posts
- 90,135, and 180 degree bases are designed for concrete or steel installations
- Attaches to the post using our EURTV408BL silicone
- Galvanized and powder coated to prevent corrosion



## Steel Stanchions for Post Heights up to 1219mm (Stanchion height 762mm)

### Cat. No. PSB1BS

Metallic Silver  
For 180° Round/Rectangular Centre/End

### Cat. No. PSB1BBL

Matte Black  
For 180° Round/Rectangular Centre/End

### Cat. No. PSB3BS

Metallic Silver  
For 90° Rectangular Posts

### Cat. No. PSB3BBL

Matte Black  
For 90° Rectangular Posts

## Steel Stanchions for Post Heights up to 1219 mm (Stanchion height 762 mm)

### Cat. No. PSB1CS

Metallic Silver  
For 180° Round/Rectangular Centre/End

### Cat. No. PSB1CBL

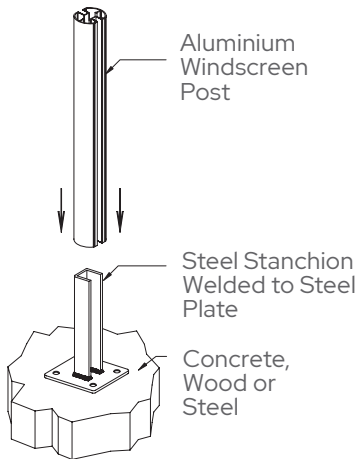
Matte Black  
For 180° Round/Rectangular Centre/End

### Cat. No. PSB3CS

Metallic Silver  
For 90° Rectangular Posts

### Cat. No. PSB3CBL

Matte Black  
For 90° Rectangular Posts



# CRL TAPER-LOC® W5B Series Base Shoe for Windscreen and Partition Screens



## Designed for fixing 10 and 12 mm glass

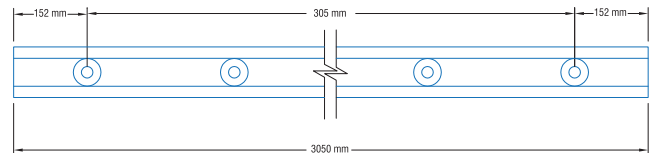
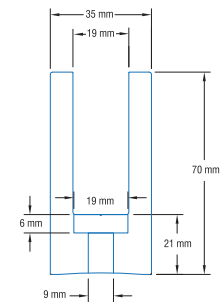
- For windscreens and partitions
- For use with 10 mm monolithic toughened glass
- For 12 mm glass use wet-glaze cement
- When using 10 mm glass use TL3X10 (see page 26)

### Measurements:

Stock length: 3.05 mm  
 Hole Size: 9 mm  
 Counter Bore: 19 mm  
 Depth: 6 mm  
 Centre-to-Centre: 305 mm  
 Pre-Drilled



**Cat. No. W5B10D**  
 Mill Finish



## CRL TAPER-LOC® Cladding for Windscreen Base Shoe

**304 Grade**  
**Cat. No. BWCBS10**  
 Brushed Stainless Steel  
**Cat. No. BWPCS10**  
 Polished Stainless Steel



## CRL TAPER-LOC® End Caps for Windscreen Base Shoe

**304 Grade**  
**Cat. No. B5WECBS**  
 Brushed Stainless Steel  
**Cat. No. B5WECPS**  
 Polished Stainless Steel

# CRL TAPER-LOC® W7B Series Base Shoe for Windscreens and Partition Screens



## Designed for fixing 19 mm glass

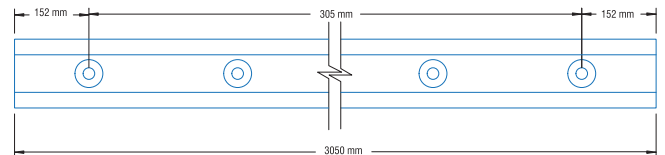
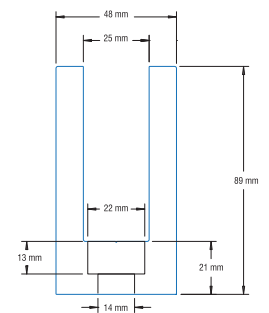
- For windscreens and partitions
- For use with 19 mm monolithic toughened glass
- Designed for wet-glaze installations

### Measurements:

Stock length: 3.05 m  
 Hole Size: 14 mm  
 Counter Bore: 22 mm  
 Depth: 13 mm  
 Centre-to-Centre: 305 mm  
 Pre-Drilled



**Cat. No. W7B10D**  
 Mill Finish



## CRL TAPER-LOC® Cladding for Windscreen Base Shoe

**304 Grade**  
**Cat. No. B7WCBS10**  
 Brushed Stainless Steel  
**Cat. No. B7WCPS10**  
 Polished Stainless Steel



## CRL TAPER-LOC® End Caps for Windscreen Base Shoe

**304 Grade**  
**Cat. No. B7WECBS**  
 Brushed Stainless Steel  
**Cat. No. B7WECPS**  
 Polished Stainless Steel

## Juliette Balcony System



### Safe and Secure Balcony System with Rails

- Tested to a width of 2,400 mm – certificate available
- Tested to BS6180
- 316 Grade Stainless Steel
- For 12 mm or 13.52 mm glass

NOTE: Single pane of glass must be used.





# Juliette Balcony System

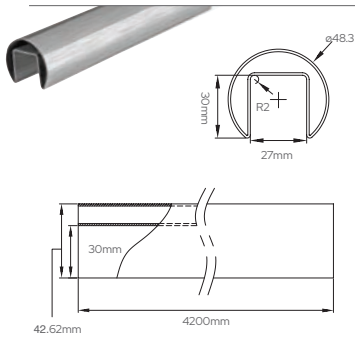
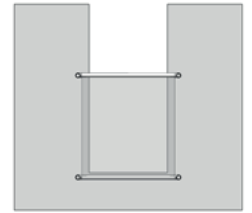
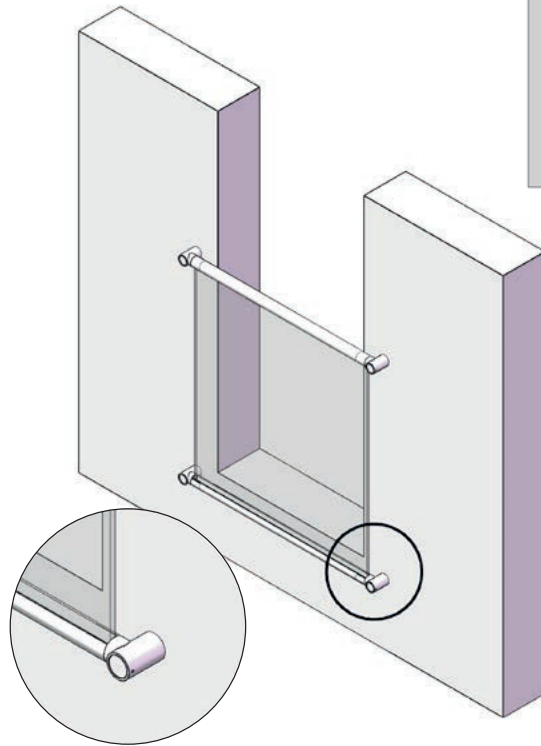
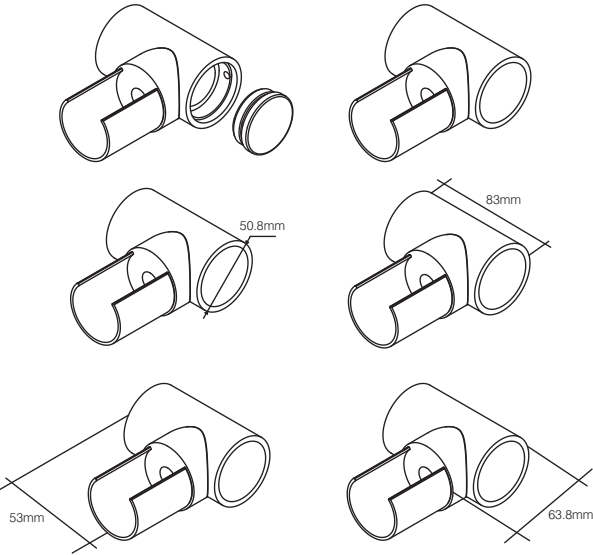


## CRL Juliette Balcony Connector

- For use with the 48.3 mm EUGR20 Cap Rail
- 316 Grade Stainless Steel

**Cat. No. EUGR20JBS**  
Brushed Stainless Steel

**Cat. No. EUGR20JPS**  
Polished Stainless Steel



## 48.3mm Diameter Cap Rail

- Connects to a variety of fabricated corners and end caps
- 316 Grade Stainless Steel
- Tested to a width of 2,400 mm - certificate available
- Tested to BS6180
- Single pane of glass must be used
- For 12 mm or 13.52 mm glass

**Cat. No. EUGR20BS**  
Brushed Stainless Steel  
3 m Length

**Cat. No. EUGR20BS14**  
Brushed Stainless Steel  
4.2 m Length

**Cat. No. EUGR20PS**  
Polished Stainless Steel  
3 m Length

**Cat. No. EUGR20PS14**  
Polished Stainless Steel  
4.2m Length



## CRL Vinyl Insert for 12 mm Glass

- Used with 48.3 mm cap rail and CRL square cap rail
- Cap rail vinyl

**Cat. No. EUGR5PV**  
3 m Length

**Cat. No. EUGR5PV14**  
4.2 m Length



## CRL Vinyl Insert for 13.52 mm Glass

- Used with 48.3 mm cap rail and CRL square cap rail
- Cap rail vinyl

**Cat. No. EUGR56PV**  
3 m Length

**Cat. No. EUGR56PV14**  
4.2 m Length

# Paris Balcony System



## Safe and Secure Frameless Balcony System

- Height 1,200 mm
- Fixes to brickwork, concrete and steel
- Tempered laminated glass
- Tested to BS6180:2011
- Substrate fixings not included
- Profiles can be cut to size on site
- Glass thickness of 21.52 for spans of up to 2,600 mm
- Glass thickness of 17.52 for spans of up to 2,150 mm
- Glass thickness of 13.52 for spans of up to 1,620mm



# Paris Balcony System

---

## CRL Fascia Mount Paris Balcony System 13.52 & 17.52 mm glass thickness

- Height 1,200 mm
- Fixes to brickwork, concrete and steel
- Tempered laminated glass
- Tested to BS6180:2011
- Substrate fixings not included
- Profiles can be cut to size on site
- 13.52 mm = 1,620 mm, 17.52 mm = 2,150 mm max span

**Cat. No. PAR1S1GR**

Grey RAL 7016

**Cat. No. PAR1S1W**

White RAL 9016

---

## CRL Fascia Mount Paris Balcony System 21.52 mm glass thickness

- Height 1,200 mm
- Fixes to brickwork, concrete and steel
- Tempered laminated glass
- Tested to BS6180:2011
- Substrate fixings not included
- Profiles can be cut to size on site
- 21.52 mm glass thickness
- 2,600 mm max span

**Cat. No. PAR1S2GR**

Grey RAL 7016

**Cat. No. PAR1S2W**

White RAL 9016

---

## CRL Reveal Mount Paris Balcony System 13.52 & 17.52 mm glass thickness

- Height 1,200 mm
- Fixes to brickwork, concrete and steel
- Tempered laminated glass
- Tested to BS6180:2011
- Substrate fixings not included
- Profiles can be cut to size on site
- 13.52 mm = 1,620 mm, 17.52 mm = 2,150 mm max span

**Cat. No. PAR1S3GR**

Grey RAL 7016

**Cat. No. PAR1S3W**

White RAL 9016

---

## CRL Reveal Mount Paris Balcony System 21.52 mm glass thickness

- Height 1,200 mm
- Fixes to brickwork, concrete and steel
- Tempered laminated glass
- Tested to BS6180:2011
- Substrate fixings not included
- Profiles can be cut to size on site
- 21.52 mm glass thickness
- 2,600 mm max span

**Cat. No. PAR1S4GR**

Grey RAL 7016

**Cat. No. PAR1S4W**

White RAL 9016

---



## CRL Post Railing System

---

CRL manufactures a comprehensive selection of Post Railing Systems that combine the durability of stainless steel components with innovative designs and engineering. Our Post Railing Systems offer a choice of designs for both commercial and residential applications. Standard finishes are brushed and polished stainless steel.

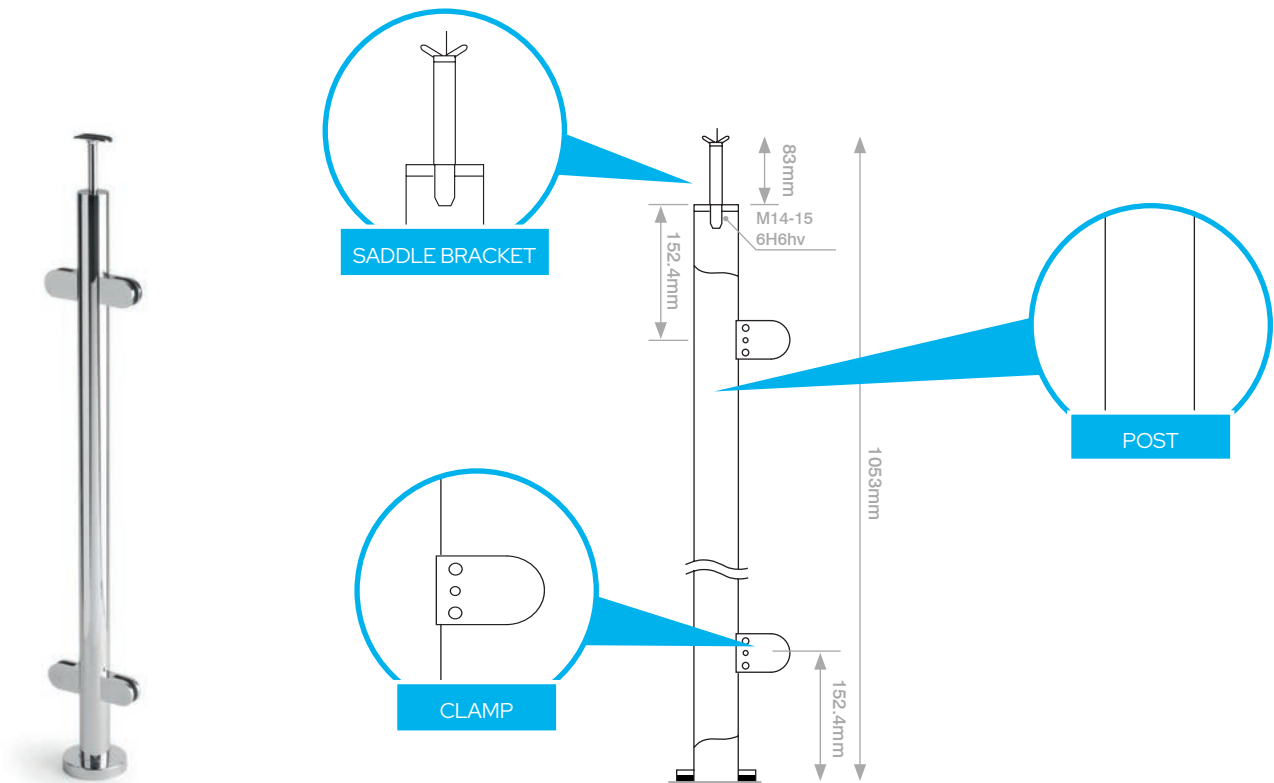


# CRL Post Railing System



Save time & money

## In detail



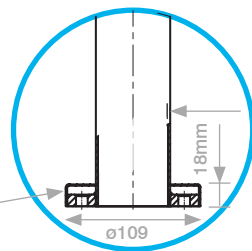
# CRL Post Railing System - 50.8 mm Post Kits and Accessories



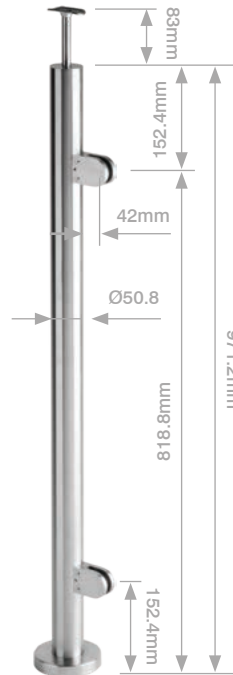
## 1100 mm Post

- 50.8 mm post kits
- 316 grade stainless steel
- Sold as a complete post kit
- For 8 mm and 12 mm glass
- Available in brushed and polished stainless steel
- 1100 mm high
- No clamps provided
- 2.5 mm material thickness

**Cat. No. EUPR42BBS**  
Brushed Stainless Steel



Stainless steel cover

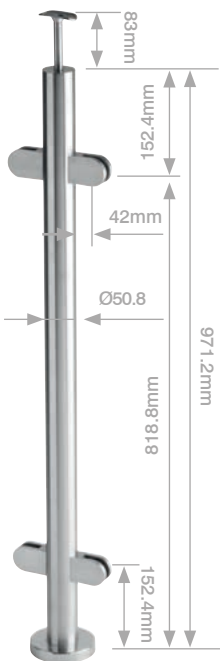


## 1100 mm End Post Kit

- 50.8 mm post kits
- 316 grade stainless steel
- Sold as a complete post kit
- For 10 mm and 12 mm glass
- Available in brushed and polished stainless steel
- 2.5 mm material thickness

**Cat. No. EUPR42EBS**  
Brushed Stainless Steel

**Cat. No. EUPR42EPS**  
Polished Stainless Steel

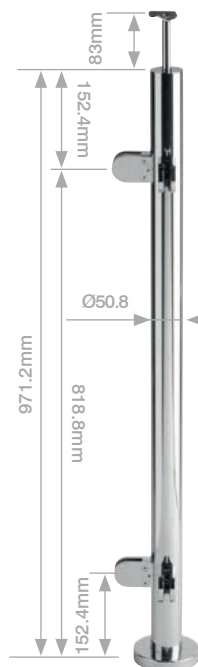


## 1100 mm Centre Post Kit

- 50.8 mm post kits
- 316 grade stainless steel
- Sold as a complete post kit
- For 10 mm and 12 mm glass
- Available in brushed and polished stainless steel
- 2.5 mm material thickness

**Cat. No. EUPR42CBS**  
Brushed Stainless Steel

**Cat. No. EUPR42CPS**  
Polished Stainless Steel

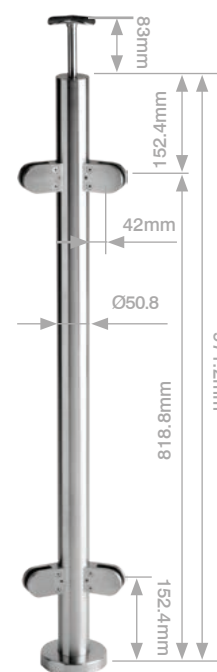


## 1100 mm 90° Post Kit

- 50.8 mm post kits
- 316 grade stainless steel
- Sold as a complete post kit
- For 10 mm and 12 mm glass
- Available in brushed and polished stainless steel
- 2.5 mm material thickness

**Cat. No. EUPR42LBS**  
Brushed Stainless Steel

**Cat. No. EUPR42LPS**  
Polished Stainless Steel



## 1100 mm 135° Post Kit

- 50.8 mm post kits
- 316 grade stainless steel
- Sold as a complete post kit
- For 10 mm and 12 mm glass
- Available in brushed and polished stainless steel
- 2.5 mm material thickness

**Cat. No. EUPR42ABS**  
Brushed Stainless Steel

**Cat. No. EUPR42APS**  
Polished Stainless Steel



**316 Grade Stainless Steel**

# CRL Post Railing System - 50.8 mm Diameter Hand Rail Components



## CRL Hand Rail Tubing

- 50.8 mm diameter
- Available in 3 m or 4.2 m lengths
- Used with European post kits
- 316 grade stainless steel
- 1.2 mm material thickness

### Cat. No. EUHR20BS

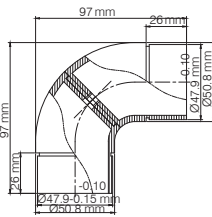
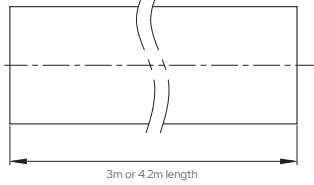
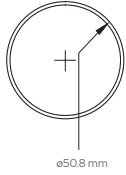
Brushed Stainless Steel - 3 m

### Cat. No. EUHR20PS

Polished Stainless Steel - 3 m

### Cat. No. EUHR20BS14

Brushed Stainless Steel - 4.2 m



## CRL Adjustable Flange

- Used with 50.8 mm diameter handrail tubing
- 316 grade stainless steel
- 1.2 mm material thickness

### Cat. No. EUHR20PFBS

Brushed Stainless Steel

### Cat. No. EUHR20PFPS

Polished Stainless Steel



## End Cap

- For 50.8 mm post kits
- Used with handrail tubing
- 316 grade stainless steel
- Sold individually

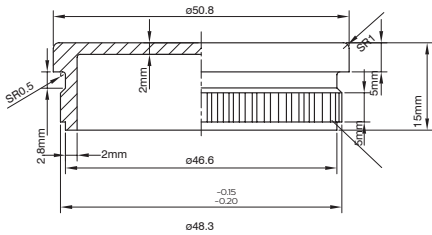
### Cat. No. EUHR20ECBS

Brushed Stainless Steel

### Cat. No. EUHR20ECPS

Polished Stainless Steel

**FOR 50.8 MM KITS**



## Securing End Cap

- For 50.8 mm post kits
- Used with handrail tubing
- 316 grade stainless steel
- Sold individually

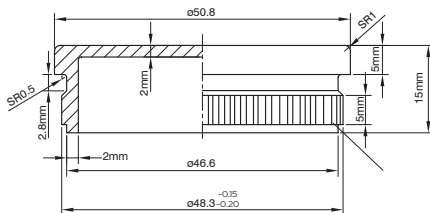
### Cat. No. EUHR20SECBS

Brushed Stainless Steel

### Cat. No. EUHR20SECP

Polished Stainless Steel

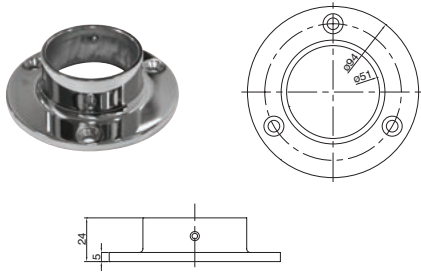
**FOR 50.8 MM KITS**



**316 Grade Stainless Steel**



# CRL Post Railing System - 50.8 mm Diameter Hand Rail Components



## CRL Full Flange

- For 50.8 mm Tubing
- 316 grade stainless steel

**FOR 50.8 MM KITS**

**Cat. No. EUHR20YBS**  
Brushed Stainless Steel

**Cat. No. EUHR20YPS**  
Polished Stainless Steel

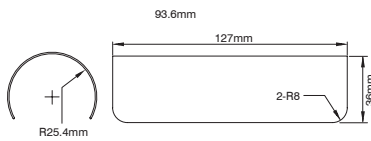


## Internal Connector

- For 50.8 mm post kits
- Used with handrail tubing
- 316 grade stainless steel

**FOR 50.8 MM KITS**

**Cat. No. EUHR20CSS**  
Brushed Stainless Steel



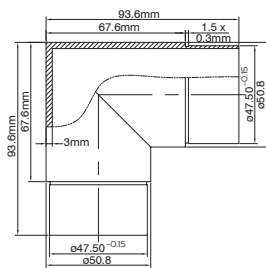
## 90° Corner

- For 50.8 mm post kits
- Used with European post kits
- 316 grade stainless steel
- Sold individually

**FOR 50.8 MM KITS**

**Cat. No. EUHR20HBS**  
Brushed Stainless Steel

**Cat. No. EUHR20HPS**  
Polished Stainless Steel



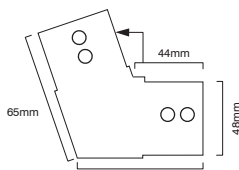
## 135° Corner

- Used with handrail tubing
- 316 grade stainless steel
- Sold individually

**FOR 50.8 MM KITS**

**Cat. No. EUHR20H3BS**  
Brushed Stainless Steel

**Cat. No. EUHR20H3PS**  
Polished Stainless Steel



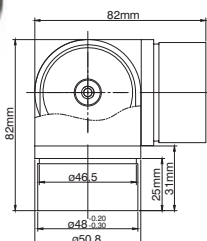
## Adjustable Handrail Fitting

- For 50.8 mm post kits
- Used with handrail tubing
- 316 grade stainless steel
- Sold individually

**FOR 50.8 MM KITS**

**Cat. No. EUHR20ADJBS**  
Brushed Stainless Steel

**Cat. No. EUHR20ADJPS**  
Polished Stainless Steel



**For Saddle Brackets and End caps see page 75 & 76**

**316 Grade Stainless Steel**

# CRL Post Railing System - 42.4 mm Post Kits

## 1100 mm Post

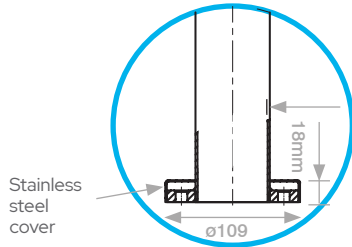
- 42.4 mm posts
- 316 grade stainless steel
- For 8.76 mm, 10 mm, 10.76 mm and 12 mm glass
- Available in brushed and polished stainless steel
- 1100 mm high
- No clamps provided
- 2.5 mm material thickness
- Sold as a complete post kit

**Cat. No. EUPR4242BBS**

Brushed Stainless Steel

**Cat. No. EUPR4242BPS**

Polished Stainless Steel



Stainless steel cover

## 1100 mm 90° Post Kit

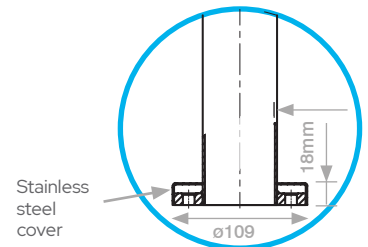
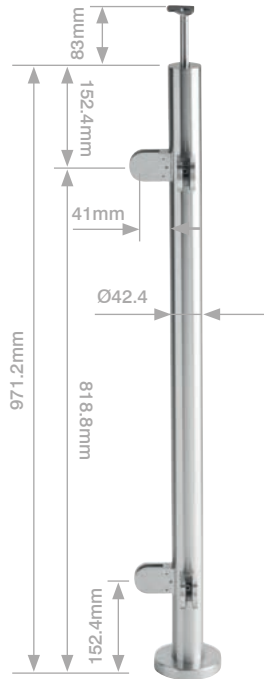
- 42.4 mm posts
- 316 grade stainless steel
- Sold as a complete post kit
- For 8.76 mm, 10 mm, 10.76 mm and 12 mm glass
- Available in brushed and polished stainless steel
- 2.5 mm material thickness

**Cat. No. EUPR4242LBS**

Brushed Stainless Steel

**Cat. No. EUPR4242LPS**

Polished Stainless Steel



Stainless steel cover

## 1100 mm Centre Post Kit

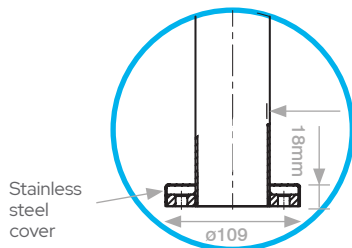
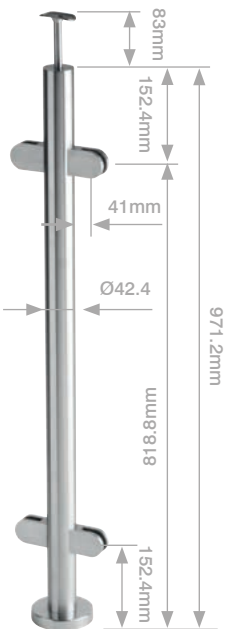
- 42.4 mm posts
- 316 grade stainless steel
- Sold as a complete post kit
- For 8.76 mm, 10 mm, 10.76 mm and 12 mm glass
- Available in brushed and polished stainless steel
- 2.5 mm material thickness

**Cat. No. EUPR4242CBS**

Brushed Stainless Steel

**Cat. No. EUPR4242CPS**

Polished Stainless Steel



Stainless steel cover

## 1100 mm End Post Kit

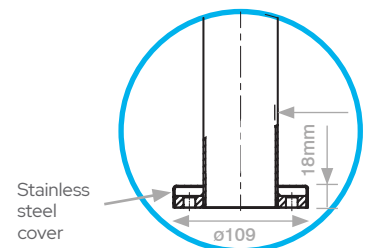
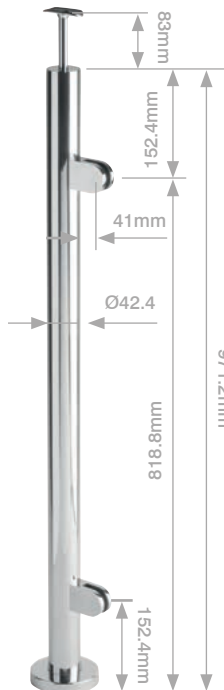
- 42.4 mm posts
- 316 grade stainless steel
- Sold as a complete post kit
- For 8.76 mm, 10 mm, 10.76 mm and 12 mm glass
- Available in brushed and polished stainless steel
- 2.5 mm material thickness

**Cat. No. EUPR4242EBS**

Brushed Stainless Steel

**Cat. No. EUPR4242EPS**

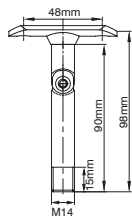
Polished Stainless Steel



Stainless steel cover

**316 Grade Stainless Steel**

# CRL Post Railing System - 50.8 & 42.4 mm Diameter Hand Rail Components



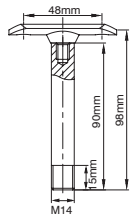
## 1100 mm Post Angle Bracket

- For 50.8 mm and 42.4 mm posts
- Used with European post kits
- 316 grade stainless steel

**FOR 50.8 MM & 42.4 MM KITS**

**Cat. No. EUPR42ARBS**  
Brushed Stainless Steel

**Cat. No. EUPR42ARPS**  
Polished Stainless Steel



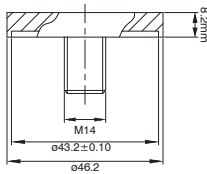
## Saddle Bracket 180° Fixed

- For 50.8 mm and 42.4 mm posts
- Used with European post kits
- 316 grade stainless steel

**FOR 50.8 MM & 42.4 MM KITS**

**Cat. No. EUPR42SBBS**  
Brushed Stainless Steel

**Cat. No. EUPR42SBPS**  
Polished Stainless Steel



## 1100 mm Post Flat Plate Cap

- For 50.8 mm and 42.4 mm posts
- Used with European post kits
- 316 grade stainless steel

**FOR 50.8 MM & 42.4 MM KITS**

For 42.4 mm kits

**Cat. No. EUPR4242CAPBS**  
Brushed Stainless Steel

**Cat. No. EUPR4242CAPPS**  
Polished Stainless Steel

For 50.8 mm kits

**Cat. No. EUPR42CAPBS**  
Brushed Stainless Steel

**Cat. No. EUPR42CAPPS**  
Polished Stainless Steel



## Handrail

- 42.4 mm handrails
- Available in 3 m or 4.2 m lengths
- 42.4 mm x 1.2 mm

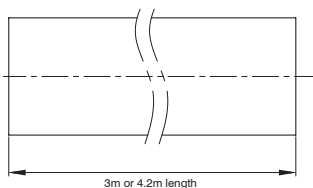
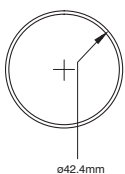
**FOR 42.4 MM KITS**

**Cat. No. EUHR42BS**  
Brushed Stainless Steel - 3 m

**Cat. No. EUHR42PS**  
Polished Stainless Steel - 3 m

**Cat. No. EUHR42BS14**  
Brushed Stainless Steel - 4.2 m

**Cat. No. EUHR42PS14**  
Polished Stainless Steel - 4.2 m



**316 Grade Stainless Steel**

# CRL Post Railing System - 42.4 mm Diameter Hand Rail Components

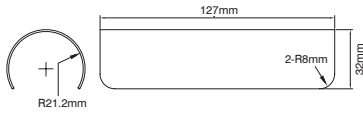


## Int Connector

- For 42.4 mm handrails
- 127 mm Length
- Grade 316 Stainless Steel

**Cat. No. EUHR42CSS**  
Brushed Stainless Steel

**FOR 42.4 MM KITS**



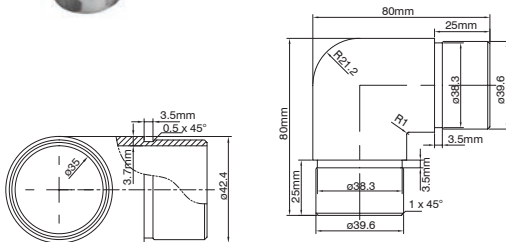
## 90° Corner

- For 42.4 mm handrail tubing
- 316 Grade Stainless Steel

**Cat. No. EUHR42HBS**  
Brushed Stainless Steel

**Cat. No. EUHR42HPS**  
Polished Stainless Steel

**FOR 42.4 MM KITS**



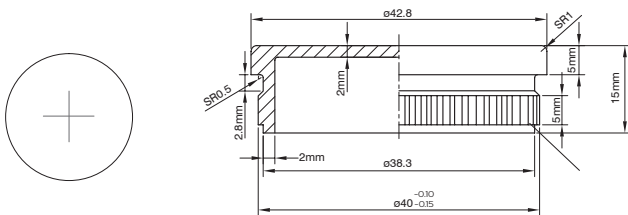
## End Cap

- For 42.4 mm post kits
- Used with 42.4 mm handrail
- 316 grade stainless steel

**Cat. No. EUHR42ECBS**  
Brushed Stainless Steel

**Cat. No. EUHR42ECP**  
Polished Stainless Steel

**FOR 42.4 MM KITS**



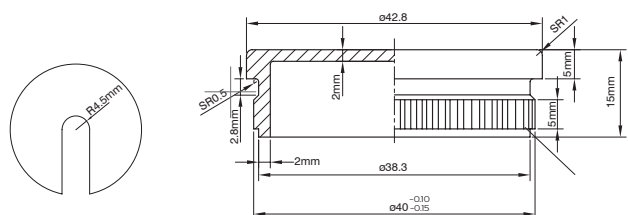
## Securing End Cap

- For 42.4 mm post kits
- Used with 42.4 mm handrail
- 316 grade stainless steel

**Cat. No. EUHR42SECBS**  
Brushed Stainless Steel

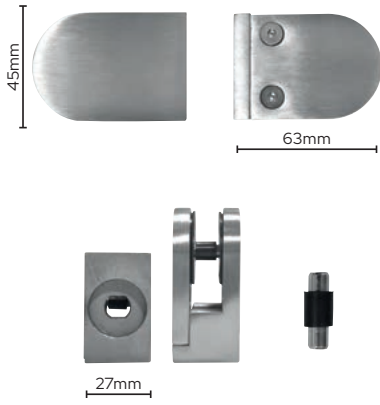
**Cat. No. EUHR42SECPS**  
Polished Stainless Steel

**FOR 42.4 MM KITS**



**316 Grade Stainless Steel**

# Ideal Clamps for Pre-Assembled Post Kits

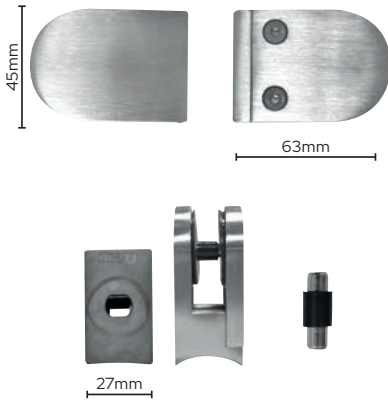


## Flat Back Clamp for use with 50.8 mm Diameter Posts

- For use on mezzanines, partitions, railings and windbreaks
- 316 Grade Stainless Steel
- For 10 and 12 mm glass
- Comes complete with gaskets for monolithic toughened glass
- For laminated glass use the EUZ5GASK107 joints
- For support plates order EUZ5SUPPORT

**Cat. No. EUZ51012BS**  
Brushed Stainless Steel

**Cat. No. EUZ51012PS**  
Polished Stainless Steel

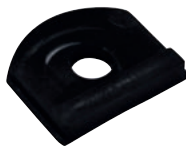


## Radius Back Clamp for use with 50.8 mm Diameter Posts

- For use on mezzanines, partitions, railings and windbreaks
- 316 Grade Stainless Steel
- For 10 and 12 mm glass
- Comes complete with gaskets for monolithic toughened glass
- For laminated glass use the EUZ5GASK107 joints
- For support plates order EUZ5SUPPORT

**Cat. No. EUZ51012RBS**  
Brushed Stainless Steel

**Cat. No. EUZ51012RPS**  
Polished Stainless Steel

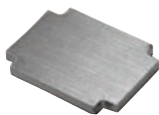


## Gasket For EUZ5 Clamps

- Gaskets to be Used with EUZ51012 Clamps
- Suitable for laminated glass (tempered laminated)

**Cat. No. EUZ5GASK107**  
For 10.7mm Glass

**Cat. No. EUZ5GASK87**  
For 8.7mm Glass



## Support Plate For EUZ5 Clamps

- Bottom supporting plate to be used with EUZ51012 clamps
- Suitable when laminated glass (tempered laminated) is installed
- This supporting plate prevents the clamp from applying too much pressure on the surfaces of the glass

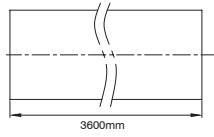
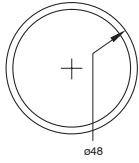
**Cat. No. EUZ5SUPPORT**



The range of clamps shown here are ideal for our range of pre-assembled post kits.  
For alternative clamp options, please see page 84

**316 Grade Stainless Steel**

# CRL Custom Post Components 48.3 mm - Fabrication Required

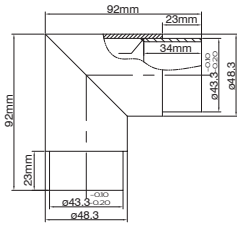
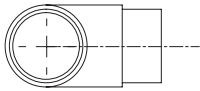


## 3600 mm Brushed Stainless Steel Tubing

- 48.3 mm diameter
- 316 grade stainless steel
- 2.5 mm material thickness
- Post and Handrail

**Cat. No. EUHR4825BS**  
Brushed Stainless Steel

**Cat. No. EUHR4825PS**  
Polished Stainless Steel

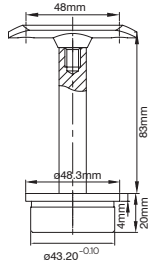


## 90° Mitred Corner

- 48.3 mm diameter
- 316 grade stainless steel

**Cat. No. EUHR4825MCBS**  
Brushed Stainless Steel

**Cat. No. EUHR4825MCPS**  
Polished Stainless Steel

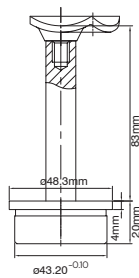
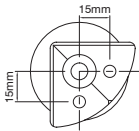


## 180° Post Mount Fixed Saddle

- 48.3 mm diameter
- 316 grade stainless steel

**Cat. No. EUHR4825SBS**  
Brushed Stainless Steel

**Cat. No. EUHR4825SPS**  
Polished Stainless Steel

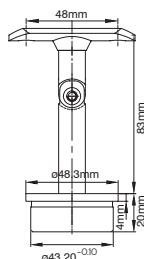


## 90° Mount Fixed Saddle

- 48.3 mm
- 316 grade stainless steel

**Cat. No. EUHR4825SHBS**  
Brushed Stainless Steel

**Cat. No. EUHR4825SHPS**  
Polished Stainless Steel



## 180° Mount Adjustable Saddle

- To suit 48.3 mm diameter tubing
- 316 grade stainless steel

**Cat. No. EUHR4825ASBS**  
Brushed Stainless Steel

**Cat. No. EUHR4825ASPS**  
Polished Stainless Steel

# CRL Custom Post Components 48.3 mm - Fabrication Required

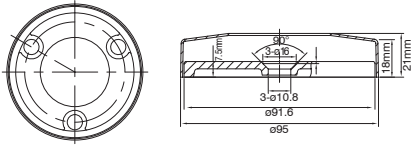


## Flange & Canopy Kit

- To suit 48.3 mm diameter tubing
- 316 grade stainless steel

**Cat. No.**  
**EUHR4825XCBS**  
Brushed Stainless Steel

**Cat. No.**  
**EUHR4825XCPS**  
Polished Stainless Steel

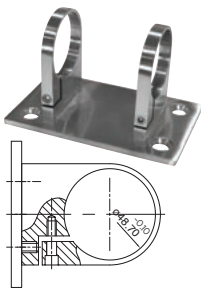
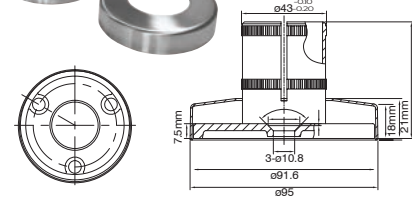


## Flange / Canopy / Tube

- To suit 48.3 mm diameter tubing
- 316 grade stainless steel

**Cat. No.**  
**EUHR4825XBS**  
Brushed Stainless Steel

**Cat. No.**  
**EUHR4825XPS**  
Polished Stainless Steel

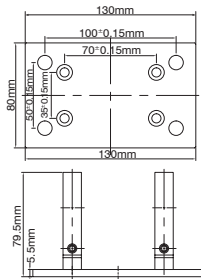


## Fascia Bracket

- To suit 48.3 mm diameter tubing
- 316 grade stainless steel

**Cat. No.**  
**EUHR4825FBBS**  
Brushed Stainless Steel

**Cat. No.**  
**EUHR4825FBPS**  
Polished Stainless Steel

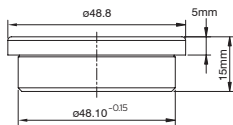


## End Caps

- To suit 48.3 mm diameter tubing
- 316 grade brushed stainless steel

**Cat. No.**  
**EUHR4825ECBS**  
Brushed Stainless Steel

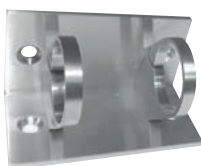
**Cat. No.**  
**EUHR4825ECPS**  
Polished Stainless Steel



## Exterior corner Fascia Bracket

- To suit 48.3 mm diameter tubing
- 316 grade stainless steel

**Cat. No.**  
**EUHR4825CFBBS**  
Brushed Stainless Steel



## Internal Corner Fascia Bracket

- To suit 48.3 mm diameter tubing
- 316 grade stainless steel

**Cat. No.**  
**EUHR48251CFBBS**  
Brushed Stainless Steel

# CRL Heavy Duty Standoffs



## Heavy duty, point supported Glass Rail Standoffs

CRL's heavy-duty, point supported Glass Rail Standoff Fittings gives the installer more adjustment during installation for those tricky job site mounting conditions. The steel back plate can be fastened directly to steel, concrete, or wood substrates and shimmed as required with blocking.

- Complete with mounting plate
- For use with 12 mm and 19 mm monolithic toughened glass or 13.5 mm and 21.5 mm laminated toughened glass using DuPont™ SentryGlas® Interlayers
- Brushed or polished 316 grade stainless finishes available
- Designed for steel, wood, and concrete substrates





# CRL Heavy Duty Standoffs

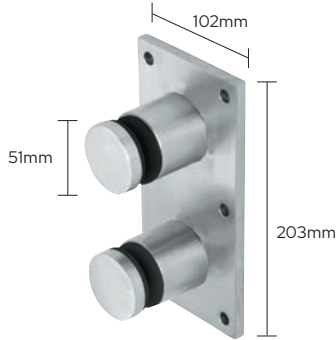


## CRL Glass Rail Standoff Base and Cap

- Compact Design with Base, Cap, and Mounting Stud
- For use with 12 and 19 mm monolithic tempered glass or 13.52 and 21.52 mm laminated tempered glass Using Kuraray SentryGlas® Interlayer
- High Grade Alloy 316 Stainless Steel Standard
- For Mounting to Steel, Concrete, or Wood Substrate

**Cat. No. RSOB2134BS**  
Brushed Stainless Steel

**Cat. No. RSOB2134PS**  
Polished Stainless Steel

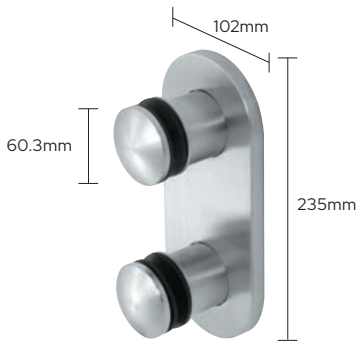


## CRL Glass Rail Standoff Fittings Standard 51 mm Diameter Caps

- For use with 12 mm and 19 mm monolithic toughened glass or 13.5 mm and 21.5 mm laminated toughened glass using DuPont™ SentryGlas® Interlayers
- Two 19 mm diameter holes per fitting
- Full engineering data available at [crlaurence.co.uk](http://crlaurence.co.uk)

**Cat. No. RSOB20BS**  
Brushed Stainless Steel

**Cat. No. RSOB20PS**  
Polished Stainless Steel

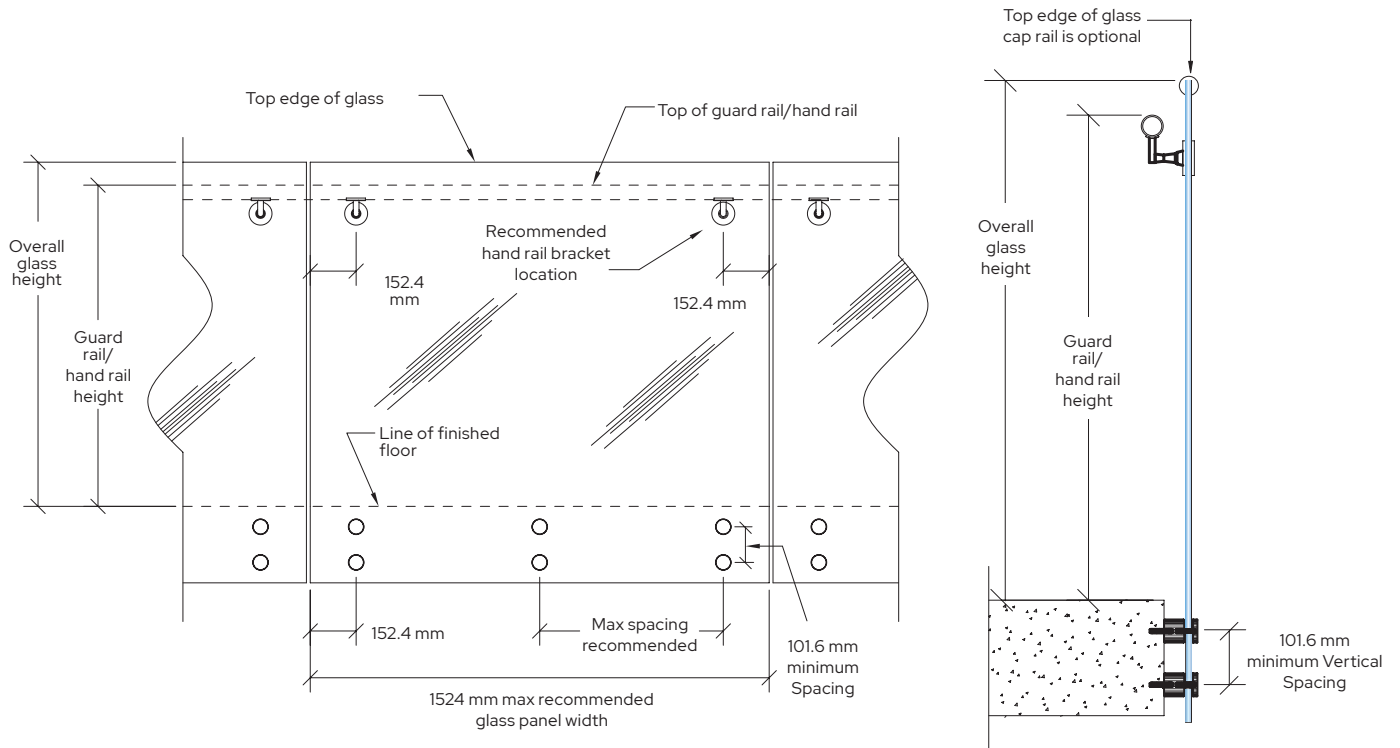


## CRL Glass Rail Standoff Fittings Standard 60 mm Diameter Caps

- For use with 12 mm and 19 mm monolithic toughened glass or 13.5 mm and 21.5 mm laminated toughened glass using DuPont™ SentryGlas® Interlayers
- Two 19 mm diameter holes per fitting
- Full engineering data available at [crlaurence.co.uk](http://crlaurence.co.uk)

**Cat. No. RSOB25BS**  
Brushed Stainless Steel

**Cat. No. RSOB25PS**  
Polished Stainless Steel





### Adjustable standoffs for installation on rough, self supporting substructures

CRL Langle adjustable standoffs have been specifically developed to be installed on rough, self-supporting substructures like concrete or stone. It is perfectly suited for the installation of glass facades as the model with a 60 mm diameter is optimal for the fastening of glass balustrades.

The adjustable standoff offers all necessary adjustments, whether horizontal or vertical as well as horizontal offset adjustments.

# CRL Langle Standoffs



## CRL Langle Fix Standoffs

Consisting of:

- 1 flat cap
- 1 spacer
- 2 EPDM
- 1 EPDM

## Material:

304 Grade Brushed Stainless Steel  
Salt Spray tested to 1000h NSS (DIN EN ISO 12944).  
Rating according to DIN EN ISO 4628-2 and 4628-3  
Tested to DIN 18003-3



CODE	Diameter	Wall-Glass	Stud Bolt	Glass Thickness	Cut Out
RSOB45BS	Ø 45 mm	30 mm	M10x70	8 - 20 mm	Ø 22 mm
RSOB60BS	Ø 60 mm	30 mm	M10x70	10 - 24 mm	Ø 26 mm



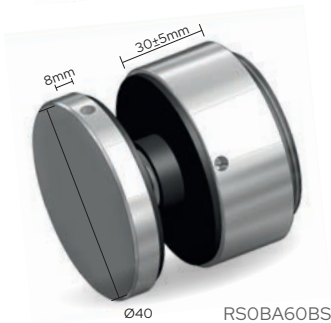
## CRL Langle Adjustable Standoffs

Consisting of:

- 1 flat cap
- 1 spacer
- 1 fixing disc
- 2 EPDM washers, 2 EPDM sleeve,  
2 stud bolts M10 (application depending  
on glass thickness)

## Material:

304 Grade Brushed Stainless Steel  
Salt Spray tested to DIN EN ISO 4628-2  
and 4628-3  
Tested to DIN EN ISO 18003-3



CODE	Diameter	Wall-Glass	Stud Bolt	Glass Thickness	Cut Out
RSOBA45BS	Ø 45 mm	25 - 35 mm	M10x30	16 - 20 mm	Ø 22 mm
			M10x35	24 mm	Ø 22 mm
RSOBA60BS	Ø 60 mm	25 - 35 mm	M10x30	16 - 20 mm	Ø 26 mm
			M10x35	24 mm	Ø 26 mm

## M10 Hanger Bolt 100mm Long

Cat. No. HB10100



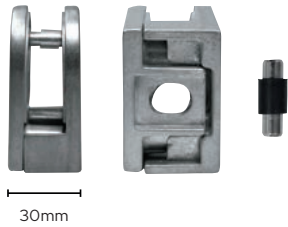
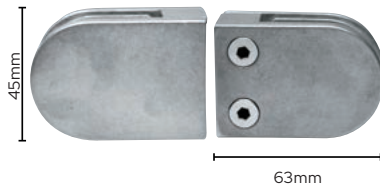


## CRL Glass Clamps

CRL supply a comprehensive range of glass clamps for use on mezzanines, partitions, railings and windbreaks.

Designed to hold the glass panels firmly in position, CRL glass clamps are available in 316 grade stainless steel.





## CRL Large D Shape Flat Back Clamp

- For use on mezzanines, partitions, railings and windbreaks
- Steel pin included for additional glass support
- For 6 to 12.76 mm toughened or laminated glass
- Sold individually
- Rubber gasket not included
- Please order the following rubber gaskets to suit:
  - CAT. NO. EUZ6G for 6 mm glass
  - CAT. NO. EUZ8G for 8 mm glass
  - CAT. NO. EUZ876G for 8.76 mm glass
  - CAT. NO. EUZ10G for 10 mm glass
  - CAT. NO. EUZ1076G for 10.76 mm glass
  - CAT. NO. EUZ12G for 12 mm glass
  - CAT. NO. EUZ1276G for 12.76 mm glass



### INTERNAL USE:

**Cat. No. EUZFBZ**

Raw Zinc

**Cat. No. EUZFBCH**

Chrome

**Cat. No. EUZFBBN**

Brushed Nickel

**Cat. No. EUZFBMBL**

Matte Black

**Cat. No. EUZFBBS304**

304 Grade Brushed Stainless

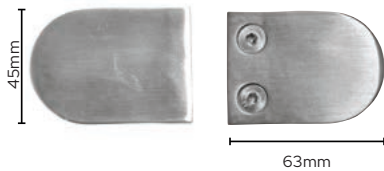
### EXTERNAL USE:

**Cat. No. EUZFBPS**

316 Grade Polished Stainless

**Cat. No. EUZFBBS**

316 Grade Brushed Stainless



## CRL Large D Shape 42.4 mm Radius Back Clamp

- For use on mezzanines, partitions, railings and windbreaks
- Steel pin included for additional glass support
- For 6 to 12.76 mm toughened or laminated glass
- Sold individually
- Rubber Gasket not included
- Please order the following rubber gaskets to suit:
  - CAT. NO. EUZ6G for 6 mm glass
  - CAT. NO. EUZ8G for 8 mm glass
  - CAT. NO. EUZ876G for 8.76 mm glass
  - CAT. NO. EUZ10G for 10 mm glass
  - CAT. NO. EUZ1076G for 10.76 mm glass
  - CAT. NO. EUZ12G for 12 mm glass
  - CAT. NO. EUZ1276G for 12.76 mm glass



### INTERNAL USE:

**Cat. No. EUZ42RBN**

Brushed Nickel Zinc Body

### EXTERNAL USE:

**Cat. No. EUZ42RPS**

316 Grade Polished Stainless

**Cat. No. EUZ42RBS**

316 Grade Brushed Stainless

### For 48.3 mm posts

#### INTERNAL USE:

**Cat. No. EUZ48RCH**

Chrome

**Cat. No. EUZ48RBN**

Brushed Nickel Zinc Body

**Cat. No. EUZ48RBS304**

304 Grade Brushed Stainless

#### EXTERNAL USE:

**Cat. No. EUZ48RPS**

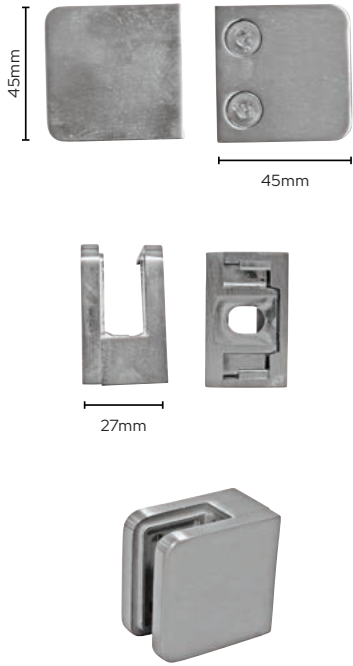
316 Grade Polished Stainless

**Cat. No. EUZ48RBS**

316 Grade Brushed Stainless



# CRL Glass Clamps



## CRL Square Type Back Clamp

- For use on mezzanines, partitions, railings and windbreaks
- For 6 to 10.76 mm toughened or laminated glass
- Sold individually
- Rubber gasket not included
- Please order the following rubber gaskets to suit:
  - CAT.NO. EUZS6G for 6 mm glass
  - CAT.NO. EUZS8G for 8 mm glass
  - CAT.NO. EUZS876G for 8.76 mm glass
  - CAT.NO. EUZS10G for 10 mm glass
  - CAT.NO. EUZS1076G for 10.76 mm glass
- Pin not included



## INTERNAL USE:

### EUZSFBZ

Raw Zinc

### EUZSFBCH

Chrome

### EUZSFBBN

Brushed Nickel

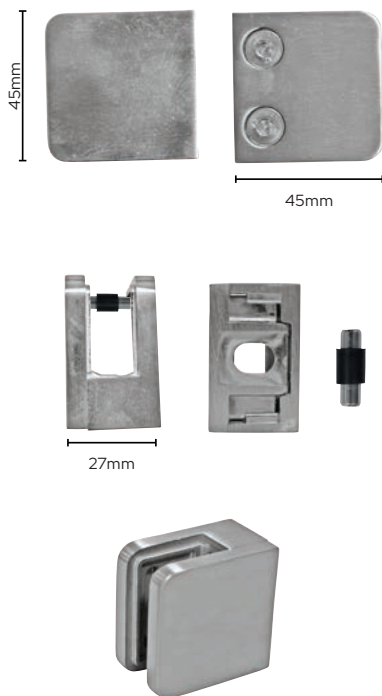
## EXTERNAL USE:

### EUZSFBPS

316 Grade Polished Stainless

### EUZSFBBS

316 Grade Brushed Stainless



## CRL Square Type Back Clamp

- For use on mezzanines, partitions, railings and windbreaks
- For 6 to 12.76 mm toughened or laminated glass
- Sold individually
- Steel pin included for additional glass support
- Rubber gasket not included
- Please order the following rubber gaskets to suit:
  - CAT.NO. EUZS6GL for 6 mm glass
  - CAT.NO. EUZS676GL for 6.76 mm glass
  - CAT.NO. EUZS8GL for 8 mm glass
  - CAT.NO. EUZS876GL for 8.76 mm glass
  - CAT.NO. EUZS10GL for 10 mm glass
  - CAT.NO. EUZS1076GL for 10.76 mm glass
  - CAT.NO. EUZS12GL for 12 mm glass
  - CAT.NO. EUZS1276GL for 12.76 mm glass



## INTERNAL USE:

### EUZSFBZL

Raw Zinc

## EXTERNAL USE:

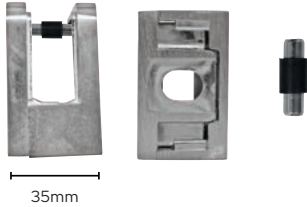
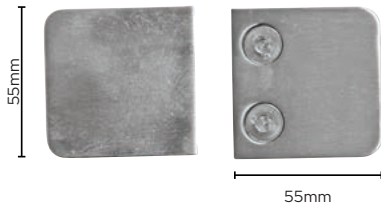
### EUZSFBBSL

316 Grade Brushed Stainless



## CRL Square Type Flat Back Clamp

- For use on mezzanines, partitions, railings and windbreaks
- Supplied with side plates for use with laminated glass
- 316 grade stainless steel
- For 6 to 12.76 mm toughened or laminated glass
- Steel pin included for additional glass support
- Sold individually
- Rubber gasket not included
- Please order the following rubber gaskets to suit:
  - CAT.NO. EUZLS6GL for 6 mm glass
  - CAT.NO. EUZLS676GL for 6.76 mm glass
  - CAT.NO. EUZLS8GL for 8 mm glass
  - CAT.NO. EUZLS876GL for 8.76 mm glass
  - CAT.NO. EUZLS10GL for 10 mm glass
  - CAT.NO. EUZLS1076GL for 10.76 mm glass
  - CAT.NO. EUZLS12GL for 12 mm glass
  - CAT.NO. EUZLS1276GL for 12.76 mm glass



### INTERNAL USE:

**EUZLSFBZL**  
Raw Zinc

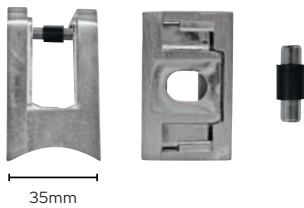
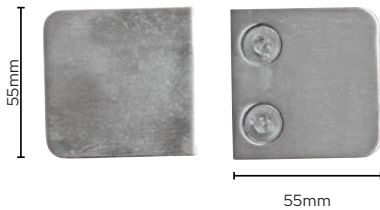
### EXTERNAL USE:

**EUZLSFBBSL**  
Brushed Stainless



## CRL Square Type Radius Back Clamp

- For use on mezzanines, partitions, railings and windbreaks
- Side plates for use with laminated glass included
- For 6 to 12.76 mm toughened or laminated glass
- Steel pin included for additional glass support
- Sold individually
- Rubber gasket not included
- Please order the following rubber gaskets to suit:
  - CAT.NO. EUZLS6GL for 6 mm glass
  - CAT.NO. EUZLS676GL for 6.76 mm glass
  - CAT.NO. EUZLS8GL for 8 mm glass
  - CAT.NO. EUZLS876GL for 8.76 mm glass
  - CAT.NO. EUZLS10GL for 10 mm glass
  - CAT.NO. EUZLS1076GL for 10.76 mm glass
  - CAT.NO. EUZLS12GL for 12 mm glass
  - CAT.NO. EUZLS1276GL for 12.76 mm glass



### For 42.4 mm posts

#### INTERNAL USE:

**Cat. No. EUZLS42RZL**  
Raw Zinc

#### EXTERNAL USE:

**Cat. No. EUZLS42RBSL**  
316 Grade Brushed Stainless

### For 48.3 mm posts

#### INTERNAL USE:

**Cat. No. EUZLS48RZL**  
Raw Zinc

#### EXTERNAL USE:

**Cat. No. EUZLS48RBSL**  
316 Grade Brushed Stainless





## CRL Rubber gasket for EUZFB/EUZ42/EUZ48 Series Clamps

- 63 mm x 45 mm
- For use with toughened or laminated glass
- Black colour
- Sold by the pair



### **EUZ6G**

For 6 mm Glass

### **EUZ8G**

For 8 mm Glass

### **EUZ876G**

For 8.76 mm Glass

### **EUZ10G**

For 10 mm Glass

### **EUZ1076G**

For 10.76 mm Glass

### **EUZ12G**

For 12 mm Glass

### **EUZ1276G**

For 12.76 mm Glass

## CRL Rubber gasket for EUZSF Series Clamps

- 45 mm x 45 mm
- For use with toughened or laminated glass
- Black colour
- Sold by the pair



### **EUZS6G**

For 6 mm Glass

### **EUZS8G**

For 8 mm Glass

### **EUZS876G**

For 8.76 mm Glass

### **EUZS10G**

For 10 mm Glass

### **EUZS1076G**

For 10.76 mm Glass

## CRL Rubber gasket for EUZLSF/EUZLS42/EUZLS48 Series Clamps

CRL Rubber gasket for EUZLSF/EUZLS42/EUZLS48 Series Clamps



### **EUZLS6GL**

For 6 mm Glass

### **EUZLS676GL**

For 6.76 mm Glass

### **EUZLS8GL**

For 8 mm Glass

### **EUZLS876GL**

For 8.76 mm Glass

### **EUZLS10GL**

For 10 mm Glass

### **EUZLS1076GL**

For 10.76 mm Glass

### **EUZLS12GL**

For 12 mm Glass

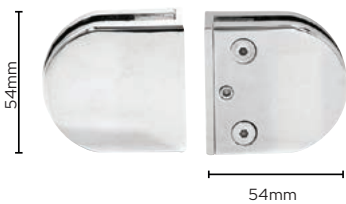
### **EUZLS1276GL**

For 12.76 mm Glass

# CRL Glass Clamps - Round



## Round



### CRL Z-Series Round Type Flat Base Zinc Clamp

- 6 mm and 8 mm glass
- Replacement gaskets are available by ordering CRL Cat. No. Z14RG
- The ideal clamp for use on mezzanines, partitions, railings and windbreaks
- Steel pin included for additional glass support
- Tested and engineered to meet and exceed code standards

### INTERNAL USE:

**Base metal: zinc casting**

**Cat. No. Z406CH** Chrome

**Cat. No. Z406BN**

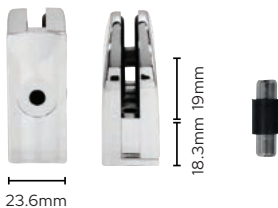
Brushed Nickel

**Cat. No. Z406BR** Brass

**Cat. No. Z406GP** Gold

**Cat. No. Z406SC** Satin  
Chrome

**Cat. No. Z406W** White



### CRL Z-Series Round Type Flat Base Stainless Steel Clamp

- 6 mm and 8 mm glass
- Replacement gaskets are available by ordering CRL Cat. No. Z14RG
- The ideal clamp for use on mezzanines, partitions, railings and windbreaks
- Steel pin included for additional glass support
- Tested and engineered to meet and exceed code standards
- 316 grade stainless steel

### EXTERNAL USE:

**Base metal:  
stainless steel**

**Cat. No. Z506PS**

Polished Stainless

**Cat. No. Z506BS**

Brushed Stainless

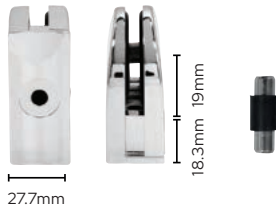
Glass Thickness



6 - 8 mm

**316 Grade Stainless Steel**

# CRL Glass Clamps - Round



## CRL Z-Series Round Type Flat Base Zinc Clamp

- 10 mm glass
- Replacement gaskets are available by ordering CRL Cat. No. Z38RG
- The ideal clamp for use on mezzanines, partitions, railings and windbreaks
- Steel pin included for additional glass support
- Tested and engineered to meet and exceed code standards

## CRL Z-Series Round Type Flat Base Stainless Steel Clamp

- 10 mm glass
- Replacement gaskets are available by ordering CRL Cat. No. Z38RG
- The ideal clamp for use on mezzanines, partitions, railings and windbreaks
- Steel pin included for additional glass support
- Tested and engineered to meet and exceed code standards
- 316 grade stainless steel

### INTERNAL USE:

**Base metal: zinc casting**

**Cat. No. Z410CH** Chrome

**Cat. No. Z410BN** Brushed Nickel

**Cat. No. Z410BR** Brass

**Cat. No. Z410GP** Gold

**Cat. No. Z410SC** Satin Chrome

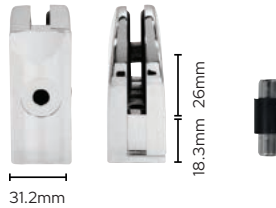
**Cat. No. Z410W** White

### EXTERNAL USE:

**Base metal: stainless steel**

**Cat. No. Z510PS** Polished Stainless

**Cat. No. Z510BS** Brushed Stainless



## CRL Z-Series Round Type Flat Base Zinc Clamp

- For 12 mm and 13.52 mm glass
- Replacement gaskets are available by ordering Cat. No. Z12RG
- The ideal clamp for use on mezzanines, partitions, railings and windbreaks
- Steel pin included for additional glass support
- Tested and engineered to meet and exceed code standards

## CRL Z-Series Round Type Flat Base Stainless Steel Clamp

- For 12 mm and 13.52 mm glass
- Replacement gaskets are available by ordering Cat. No. Z12RG
- The ideal clamp for use on mezzanines, partitions, railings and windbreaks
- Steel pin included for additional glass support
- Tested and engineered to meet and exceed code standards
- 316 grade stainless steel

### INTERNAL USE:

**Base metal: zinc casting**

**Cat. No. Z412CH** Chrome

**Cat. No. Z412BN** Brushed Nickel

**Cat. No. Z412BR** Brass

**Cat. No. Z412GP** Gold

**Cat. No. Z412SC** Satin Chrome

**Cat. No. Z412W** White

### EXTERNAL USE:

**Base metal: stainless steel**

**Cat. No. Z512PS** Polished Stainless

**Cat. No. Z512BS** Brushed Stainless



## CRL Z-Series Round Type 50.8 mm Radius Base Zinc Clamp

- For 6 mm and 8 mm glass
- Replacement gaskets are available by ordering Cat. No. Z14RG
- The ideal clamp for use on mezzanines, partitions, railings and windbreaks
- Steel pin included for additional glass support
- Tested and engineered to meet and exceed code standards

## CRL Z-Series Round Type 50.8 mm Radius Base Stainless Steel Clamp

- For 6 mm and 8 mm glass
- Replacement gaskets are available by ordering Cat. No. Z14RG
- The ideal clamp for use on mezzanines, partitions, railings and windbreaks
- Steel pin included for additional glass support
- Tested and engineered to meet and exceed code standards
- 316 grade stainless steel

### INTERNAL USE:

**Base metal: zinc casting**

**Cat. No. Z206CH** Chrome

**Cat. No. Z206BN** Brushed Nickel

**Cat. No. Z206BR** Brass

**Cat. No. Z206GP** Gold

**Cat. No. Z206SC** Satin Chrome

**Cat. No. Z610W** White

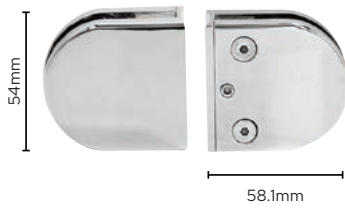
### EXTERNAL USE:

**Base metal: stainless steel**

**Cat. No. Z306PS** Polished Stainless

**Cat. No. Z306BS** Brushed Stainless

# CRL Glass Clamps - Round



## CRL Z-Series Round Type 50.8 mm Radius Base Zinc Clamp

- For 10 mm thick glass
- Replacement gaskets are available by ordering Cat. No. Z14RG
- The ideal clamp for use on mezzanines, partitions, railings and windbreaks
- Steel pin included for additional glass support
- Tested and engineered to meet and exceed code standards

### INTERNAL USE:

**Base metal: zinc casting**

**Cat. No. Z210CH** Chrome

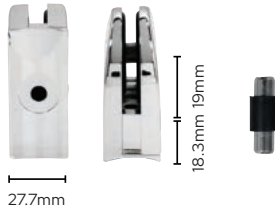
**Cat. No. Z210BN** Brushed Nickel

**Cat. No. Z210BR** Brass

**Cat. No. Z210GP** Gold

**Cat. No. Z210SC** Satin Chrome

**Cat. No. Z210W** White



## CRL Z-Series Round Type 50.8 mm Radius Base Stainless Steel Clamp

- For 10 mm thick glass
- Replacement gaskets are available by ordering Cat. No. Z14RG
- The ideal clamp for use on mezzanines, partitions, railings and windbreaks
- Steel pin included for additional glass support
- Tested and engineered to meet and exceed code standards
- 316 grade stainless steel

### EXTERNAL USE:

**Base metal: stainless steel**

**Cat. No. Z310PS** Polished Stainless

**Cat. No. Z310BS** Brushed Stainless



## CRL Z-Series Round Type 50.8 mm Radius Base Zinc Clamp

- For 12 mm and 13.52 mm glass
- Replacement gaskets are available by ordering Cat. No. Z14RG
- The ideal clamp for use on mezzanines, partitions, railings and windbreaks
- Steel pin included for additional glass support
- Tested and engineered to meet and exceed code standards

### INTERNAL USE:

**Base metal: zinc casting**

**Cat. No. Z212CH** Chrome

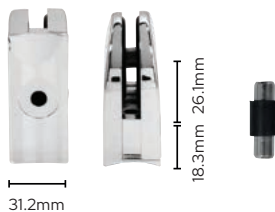
**Cat. No. Z212BN** Brushed Nickel

**Cat. No. Z212BR** Brass

**Cat. No. Z212GP** Gold

**Cat. No. Z212SC** Satin Chrome

**Cat. No. Z212W** White



## CRL Z-Series Round Type 50.8 mm Radius Base Stainless Steel Clamp

- For 12 mm and 13.52 mm glass
- Replacement gaskets are available by ordering Cat. No. Z14RG
- The ideal clamp for use on mezzanines, partitions, railings and windbreaks
- Steel pin included for additional glass support
- Tested and engineered to meet and exceed code standards
- 316 grade stainless steel

### EXTERNAL USE:

**Base metal: stainless steel**

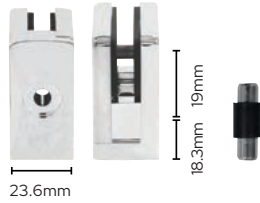
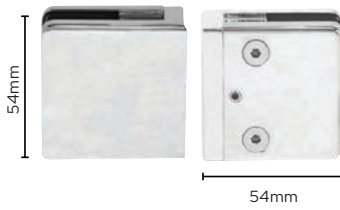
**Cat. No. Z312PS** Polished Stainless

**Cat. No. Z312BS** Brushed Stainless



**316 Grade Stainless Steel**

# CRL Glass Clamps - Square



## CRL Z-Series Square Type Flat Base Zinc Clamp

- For 6 mm and 8 mm glass
- Replacement gaskets are available by ordering Cat. No. Z14SG
- The ideal clamp for use on mezzanines, partitions, railings and windbreaks
- Steel pin included for additional glass support
- Tested and engineered to meet and exceed code standards

### INTERNAL USE:

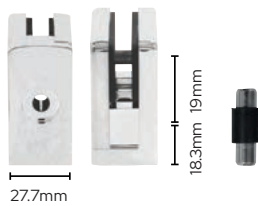
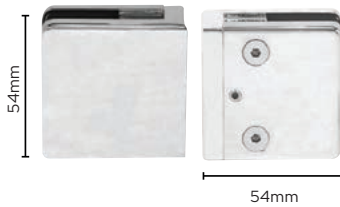
- Base metal: zinc casting**
- Cat. No. Z806CH** Chrome
- Cat. No. Z806BN** Brushed Nickel
- Cat. No. Z806BR** Brass
- Cat. No. Z806GP** Gold
- Cat. No. Z806W** White

## CRL Z-Series Square Type Flat Base Stainless Steel Clamp

- For 6 mm and 8 mm glass
- Replacement gaskets are available by ordering Cat. No. Z14SG
- The ideal clamp for use on mezzanines, partitions, railings and windbreaks
- Steel pin included for additional glass support
- Tested and engineered to meet and exceed code standards
- 316 grade stainless steel

### EXTERNAL USE:

- Base metal: stainless steel**
- Cat. No. Z906PS** Polished Stainless
- Cat. No. Z906BS** Brushed Stainless



## CRL Z-Series Square Type Flat Base Zinc Clamp

- For 10 mm glass
- The ideal clamp for use on mezzanines, partitions, railings and windbreaks
- Steel pin included for additional glass support
- Tested and engineered to meet and exceed code standards

### INTERNAL USE:

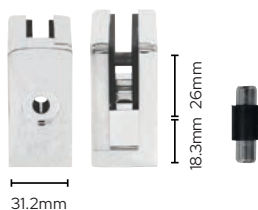
- Base metal: zinc casting**
- Cat. No. Z810CH** Chrome
- Cat. No. Z810BN** Brushed Nickel
- Cat. No. Z810BR** Brass
- Cat. No. Z810GP** Gold
- Cat. No. Z810SC** Satin Chrome
- Cat. No. Z810W** White

## CRL Z-Series Square Type Flat Base Stainless Steel Clamp

- For 10 mm glass
- The ideal clamp for use on mezzanines, partitions, railings and windbreaks
- Steel pin included for additional glass support
- Tested and engineered to meet and exceed code standards
- 316 grade stainless steel

### EXTERNAL USE:

- Base metal: stainless steel**
- Cat. No. Z910PS** Polished Stainless
- Cat. No. Z910BS** Brushed Stainless
- Cat. No. Z910MBL** Matte Black
- Cat. No. Z910PT** Painted



## CRL Z-Series Square Type Flat Base Zinc Clamp

- For 12 mm and 13.52 mm glass
- Replacement gaskets are available by ordering Cat. No. Z12SG
- The ideal clamp for use on mezzanines, partitions, railings and windbreaks
- Steel pin included for additional glass support
- Tested and engineered to meet and exceed code standards

### INTERNAL USE:

- Base metal: zinc casting**
- Cat. No. Z812CH** Chrome
- Cat. No. Z812BN** Brushed Nickel
- Cat. No. Z812BR** Brass
- Cat. No. Z812GP** Gold
- Cat. No. Z812SC** Satin Chrome
- Cat. No. Z812W** White

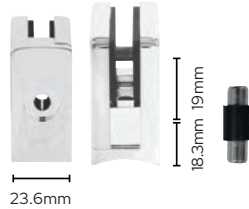
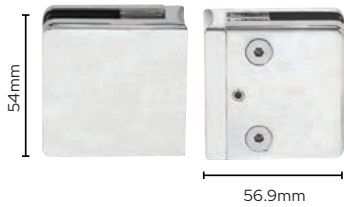
## CRL Z-Series Square Type Flat Base Stainless Steel Clamp

- For 12 mm and 13.52 mm glass
- Replacement gaskets are available by ordering Cat. No. Z12SG
- The ideal clamp for use on mezzanines, partitions, railings and windbreaks
- Steel pin included for additional glass support
- Tested and engineered to meet and exceed code standards
- 316 grade stainless steel

### EXTERNAL USE:

- Base metal: stainless steel**
- Cat. No. Z912PS** Polished Stainless
- Cat. No. Z912BS** Brushed Stainless

# CRL Glass Clamps - Square



## CRL Z-Series Square Type Radius Base Zinc Clamp

- For 6 mm and 8 mm glass
- Replacement gaskets are available by ordering Cat. No. Z14RG
- The ideal clamp for use on mezzanines, partitions, railings and windbreaks
- Steel pin included for additional glass support
- Tested and engineered to meet and exceed code standards

### INTERNAL USE:

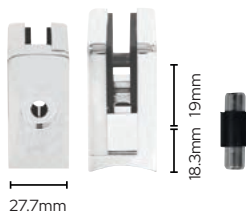
- Base metal: zinc casting**
- Cat. No. Z606CH** Chrome
- Cat. No. Z606BN** Brushed Nickel
- Cat. No. Z606BR** Brass
- Cat. No. Z606GP** Gold
- Cat. No. Z606W** White

## CRL Z-Series Square Type Radius Base Stainless Steel Clamp

- For 6 mm and 8 mm glass
- Replacement gaskets are available by ordering Cat. No. Z14RG
- The ideal clamp for use on mezzanines, partitions, railings and windbreaks
- Steel pin included for additional glass support
- Tested and engineered to meet and exceed code standards
- 316 grade stainless steel

### EXTERNAL USE:

- Base metal: stainless steel**
- Cat. No. Z706PS** Polished Stainless
- Cat. No. Z706BS** Brushed Stainless



## CRL Z-Series Square Type Radius Base Zinc Clamp

- For 10 mm glass
- Replacement gaskets are available by ordering Cat. No. Z38SG
- The ideal clamp for use on mezzanines, partitions, railings and windbreaks
- Steel pin included for additional glass support
- Tested and engineered to meet and exceed code standards

### INTERNAL USE:

- Base metal: zinc casting**
- Cat. No. Z610CH** Chrome
- Cat. No. Z610BN** Brushed Nickel
- Cat. No. Z610BR** Brass
- Cat. No. Z610GP** Gold
- Cat. No. Z610SC** Satin Chrome
- Cat. No. Z610W** White

## CRL Z-Series Square Type Radius Base Stainless Steel Clamp

- For 10 mm glass
- Replacement gaskets are available by ordering Cat. No. Z38SG
- The ideal clamp for use on mezzanines, partitions, railings and windbreaks
- Steel pin included for additional glass support
- Tested and engineered to meet and exceed code standards
- 316 grade stainless steel

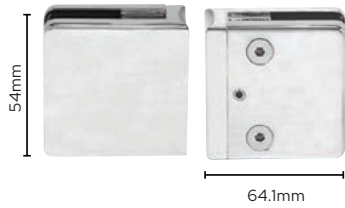
### EXTERNAL USE:

- Base metal: stainless steel**
- Cat. No. Z710PS** Polished Stainless
- Cat. No. Z710BS** Brushed Stainless
- Cat. No. Z710MBL** Matte Black
- Cat. No. Z710PT** Painted



316 Grade Stainless Steel

# CRL Glass Clamps - Square



## CRL Z-Series Square Type Radius Base Zinc Clamp

- For 12 mm & 13.52 mm glass
- Replacement gaskets are available by ordering Cat. No. Z12SG
- The ideal clamp for use on mezzanines, partitions, railings and windbreaks
- Steel pin included for additional glass support
- Tested and engineered to meet and exceed code standards

### INTERNAL USE:

**Base metal: zinc casting**

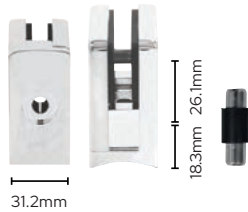
**Cat. No. Z612CH** Chrome

**Cat. No. Z612BN** Brushed Nickel

**Cat. No. Z612BR** Brass

**Cat. No. Z612GP** Gold

**Cat. No. Z612W** White



## CRL Z-Series Square Type Radius Base Stainless Steel Clamp

- For 12 mm & 13.52 mm glass
- Replacement gaskets are available by ordering Cat. No. Z12SG
- The ideal clamp for use on mezzanines, partitions, railings and windbreaks
- Steel pin included for additional glass support
- Tested and engineered to meet and exceed code standards
- 316 grade stainless steel

### EXTERNAL USE:

**Base metal: stainless steel**

**Cat. No. Z712PS** Polished Stainless

**Cat. No. Z712BS** Brushed Stainless



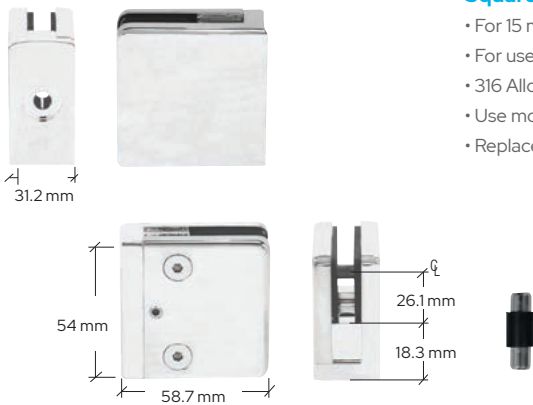
## CRL Brushed Stainless Z-Series Flat Surface Mount Square Type Glass Clamps

- For 15 mm & 19 mm, 17.52 mm & 21.52 mm glass (flat surface mounting)
- For use with square tubing or other flat surfaces
- 316 Alloy stainless steel
- Use monolithic tempered glass
- Replacement gaskets are available by ordering Cat. No. Z34SG or Z58SG

**Cat. No. Z934BS** Brushed Stainless

**Cat. No. Z934PS** Polished Stainless

**Cat. No. Z934MBL** Matte Black

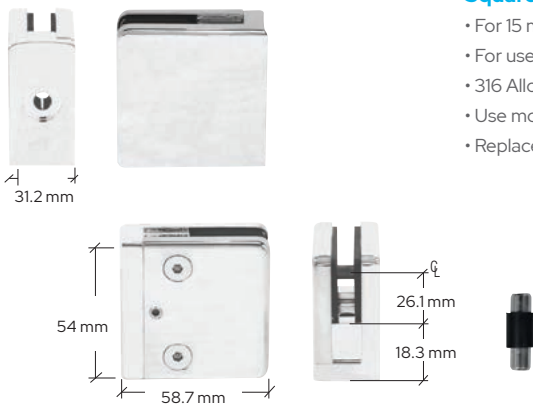


## CRL Brushed Stainless Z-Series Radius Surface Mount Square Type Glass Clamps

- For 15 mm & 19 mm, 17.52 mm & 21.52 mm glass (radius surface mounting)
- For use with 50.8 mm diameter round tubing
- 316 Alloy stainless steel
- Use monolithic tempered glass
- Replacement gaskets are available by ordering Cat. no. Z34SG or Z58SG

**Cat. No. Z734BS** Brushed Stainless

**Cat. No. Z734PS** Polished Stainless





## AI-Wall® Systems

Rainscreen systems for high quality facade design

- Creates a protective, modern envelope around new and old buildings
- Plane and imbricated glass facade options
- Quick and easy to install
- No glass cut outs necessary

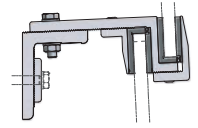






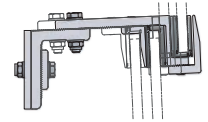
## CRL AI-Wall®

- Horizontally imbricated
- No cutouts necessary
- Driving rain proof
- For use with 6 mm to 19 mm monolithic or laminated toughened glass



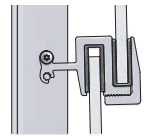
## CRL AI-Wall® DS

- Horizontally and vertically imbricated
- Driving rain proof
- Parallel or laterally sloped imbrication
- For use with 6 mm to 19 mm monolithic or laminated toughened glass



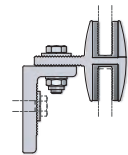
## CRL AI-Wall® Light

- Horizontally imbricated
- Effortless and quick installation
- Simple substructure
- For use with 6 mm and 8 mm monolithic or laminated toughened glass



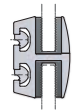
## CRL AI-Wall® Flat

- For plane facades
- Safe glass installation without tools
- Minimum clearance from 8 mm
- For use with 8 mm, 10 mm, 12 mm and 16 mm monolithic or laminated toughened glass



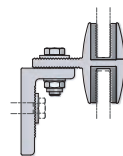
## CRL AI-Wall® Flat Lors

- For plane facades
- Low structural depth
- Safe glass installation without tools
- For use with 8 mm, 10 mm, 12 mm and 16 mm monolithic or laminated toughened glass



## CRL AI-Wall® Flat Verso

- For plane facades
- Easy and safe glass installation without tools from the inside
- For use with 12 mm and 16 mm monolithic and laminated toughened glass



# Spider Fixings - Regular Fittings - up to 12 mm Glass



316 Grade Stainless Steel



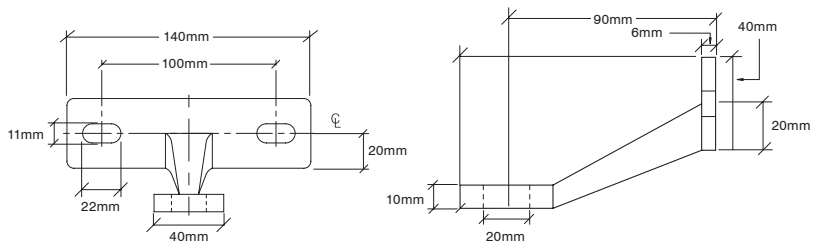
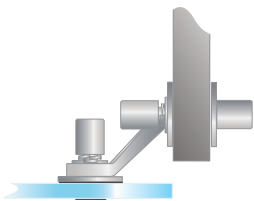
## CRL Single Arm Regular Duty Wall/Fin Mount Fitting

- For use with glass up to 12 mm
- Complete with hardware to mount to wall or structural fin
- 316 stainless steel

**Cat. No. FMR1BS**  
Brushed Stainless

**Cat. No. FMR1PS**  
Polished Stainless

## REGULAR FIN MOUNT



Glass attachments must be ordered separately



# CRL Glass Clamps - Square

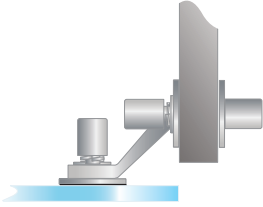


## CRL Left Hand Single Arm Regular Duty Wall/Fin Mount Fitting

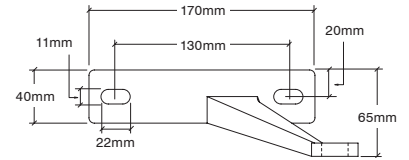
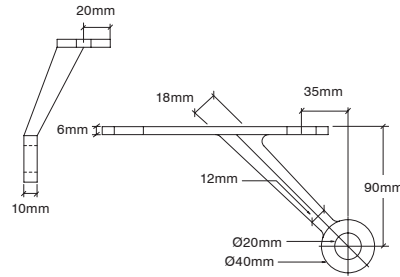
- For use with glass up to 12 mm
- Complete with hardware to mount to wall or structural fin
- 316 stainless steel

**Cat. No. FMR1LHBS**  
Brushed Stainless

**Cat. No. FMR1LHPS**  
Polished Stainless



### REGULAR FIN MOUNT



## CRL Right Hand Single Arm Regular Duty Wall/Fin Mount Fitting

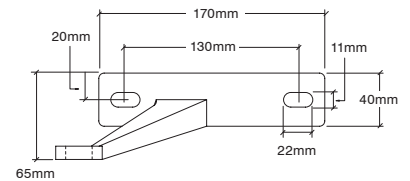
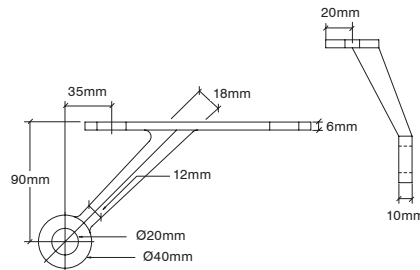
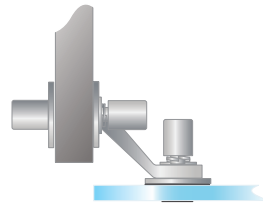
- For use with glass up to 12 mm
- Complete with hardware to mount to wall or structural fin
- 316 stainless steel

**Cat. No. FMR1RHBS**  
Brushed Stainless

**Cat. No. FMR1RHPS**  
Polished Stainless



### REGULAR FIN MOUNT



## CRL Double Arm Regular Duty Wall/Fin Mount Fitting

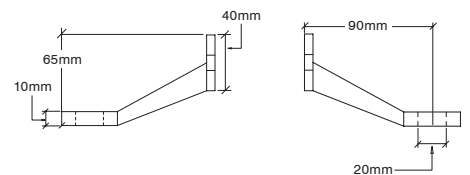
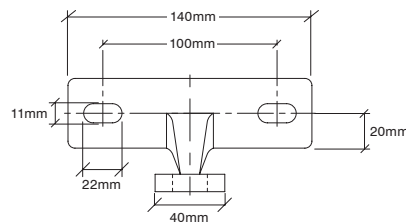
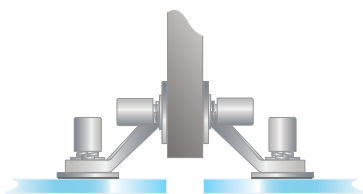
- For use with glass up to 12/12 mm
- Complete with hardware to mount to wall or structural fin
- 316 stainless steel

**Cat. No. FMR2BS**  
Brushed Stainless

**Cat. No. FMR2PS**  
Polished Stainless



### REGULAR FIN MOUNT



## 316 Grade Stainless Steel

# Spider Fixings - Regular Fittings - up to 12 mm Glass



## CRL Double Arm "V" Regular Duty Wall/Fin Mount Fitting

- For use with glass up to 12 mm
- Complete with hardware to mount to wall or structural fin
- 316 stainless steel

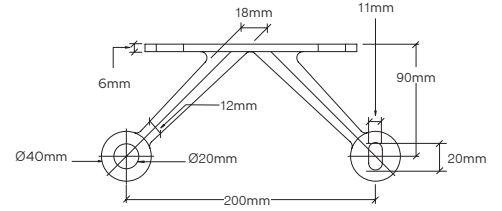
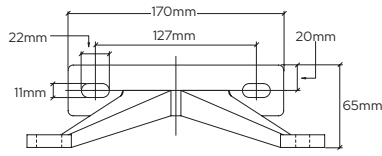
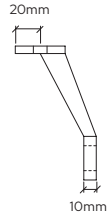
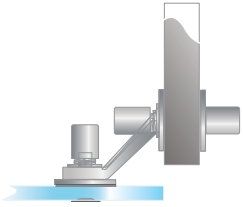
**Cat. No. FMR2VBS**

Brushed Stainless

**Cat. No. FMR2VPS**

Polished Stainless

### REGULAR FIN MOUNT



## CRL Four Arm "V" Regular Duty Wall/Fin Mount Fitting

- For use with glass up to 12 mm
- Complete with hardware to mount to wall or structural fin
- 316 stainless steel

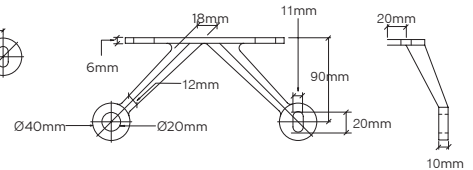
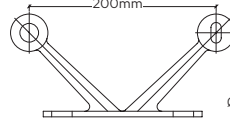
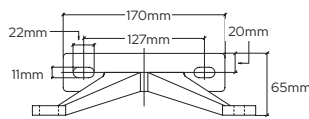
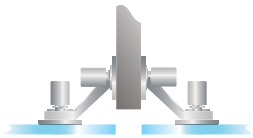
**Cat. No. FMR4BS**

Brushed Stainless

**Cat. No. FMR4PS**

Polished Stainless

### REGULAR FIN MOUNT



## CRL Single Arm Regular Duty Post Mount Fitting

- For use with glass up to 12 mm
- Complete with hardware to mount to post or column
- 316 stainless steel

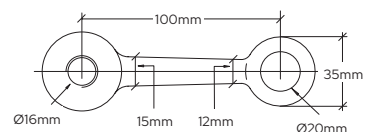
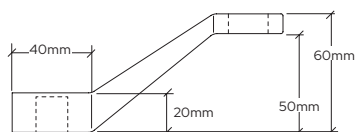
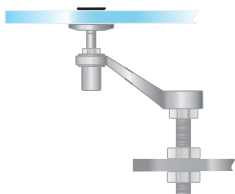
**Cat. No. PMR1BS**

Brushed Stainless

**Cat. No. PMR1PS**

Polished Stainless

### REGULAR POST MOUNT



**316 Grade Stainless Steel**

Glass attachments must be ordered separately



# Spider Fixings - Regular Fittings - up to 12 mm Glass



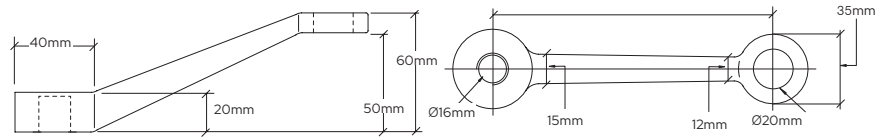
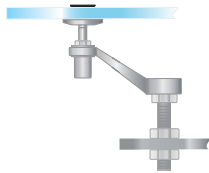
## CRL Single Long Arm Regular Duty Post Mount Fitting

- For use with glass up to 12 mm
- Complete with hardware to mount to post or column
- 316 stainless steel

**Cat. No. PMR1LBS**  
Brushed Stainless

**Cat. No. PMR1LPS**  
Polished Stainless

### REGULAR POST MOUNT



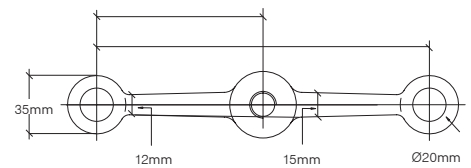
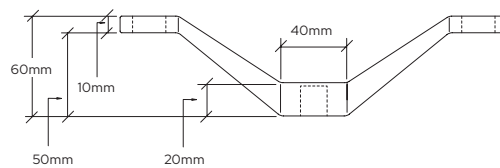
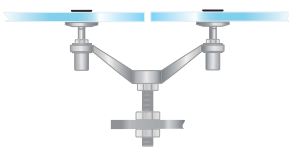
## CRL Double Arm Regular Duty Post Mount Fitting

- For use with glass up to 12 mm
- Complete with hardware to mount to post or column
- 316 stainless steel

**Cat. No. PMR2BS**  
Brushed Stainless

**Cat. No. PMR2PS**  
Polished Stainless

### REGULAR POST MOUNT



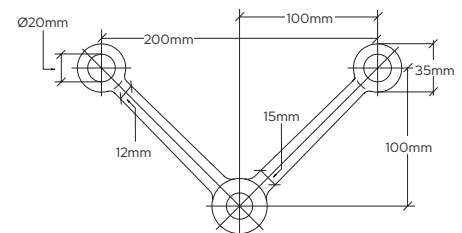
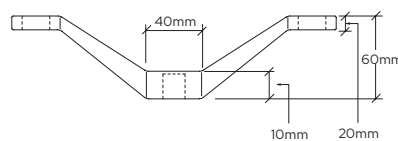
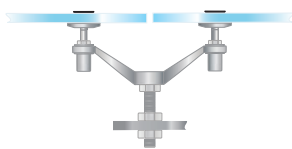
## CRL Double Arm "V" Regular Duty Post Mount Fitting

- For use with glass up to 12 mm
- Complete with hardware to mount to post or column
- 316 stainless steel

**Cat. No. PMR2VBS**  
Brushed Stainless

**Cat. No. PMR2VPS**  
Polished Stainless

### REGULAR POST MOUNT



**316 Grade Stainless Steel**

# Spider Fixings - Regular Fittings - up to 12 mm Glass

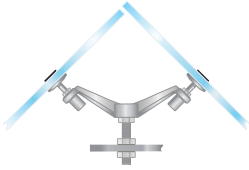


## CRL Double Arm "V" 90 Degree Regular Duty Post Mount Fitting

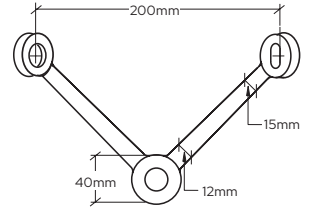
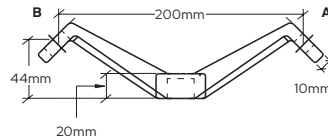
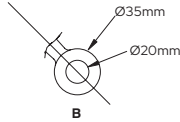
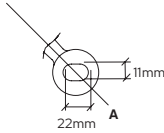
- For use with glass up to 12 mm
- Complete with hardware to mount to post or column
- 316 stainless steel

**Cat. No. PMR2V90BS**  
Brushed Stainless

**Cat. No. PMR2V90PS**  
Polished Stainless



### REGULAR POST MOUNT

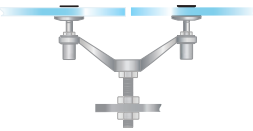


## CRL Three Arm Regular Duty Post Mount Fitting

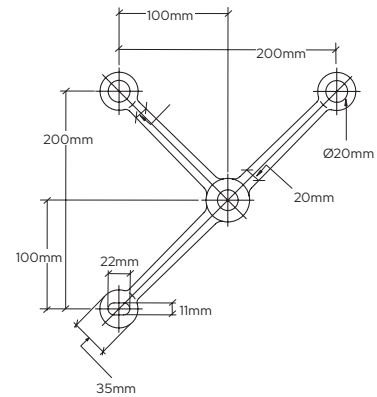
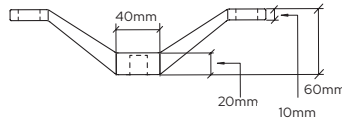
- For use with glass up to 12 mm
- Complete with hardware to mount to post or column
- 316 stainless steel

**Cat. No. PMR3BS**  
Brushed Stainless

**Cat. No. PMR3PS**  
Polished Stainless



### REGULAR POST MOUNT

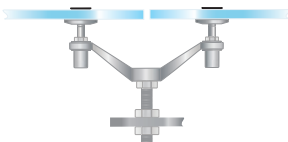


## CRL Four Arm Regular Duty Post Mount Fitting

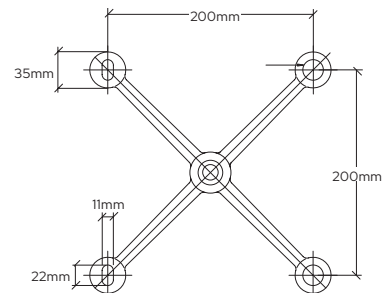
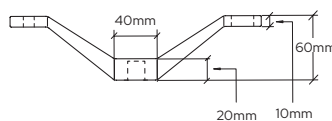
- For use with glass up to 12 mm
- Complete with hardware to mount to post or column
- 316 stainless steel

**Cat. No. PMR4BS**  
Brushed Stainless

**Cat. No. PMR4PS**  
Polished Stainless



### REGULAR POST MOUNT



**316 Grade Stainless Steel**

Glass attachments must be ordered separately



# Spider Fixings - Regular Fittings - up to 12 mm Glass



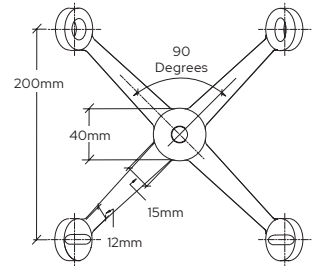
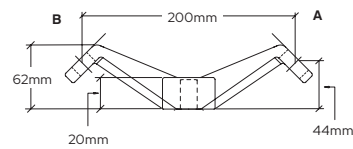
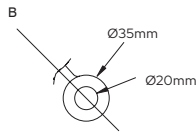
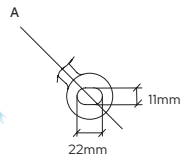
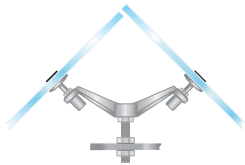
## CRL Four Arm 90 Degree Regular Duty Post Mount Fitting

- For use with glass up to 12 mm
- Complete with hardware to mount to post or column
- 316 stainless steel

**Cat. No. PMR490BS**  
Brushed Stainless

**Cat. No. PMR490PS**  
Polished Stainless

### REGULAR POST MOUNT



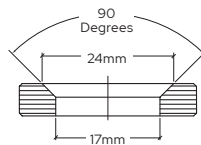
## CRL Rigid Head Combination Glass Attachment

- For use with 10 mm to 12 mm tempered glass
- 316 stainless steel

**Cat. No. RRF10BS**  
Brushed Stainless

**Cat. No. RRF10PS**  
Polished Stainless

### REGULAR



Flush mount glass fabrication \*



Cap mount glass fabrication



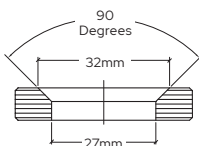
## CRL Swivel Head Combination Glass Attachment

- For use with 10 mm to 12 mm tempered glass
- 316 stainless steel

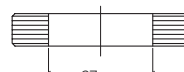
**Cat. No. RSF10BS**  
Brushed Stainless

**Cat. No. RSF10PS**  
Polished Stainless

### REGULAR



Flush mount glass fabrication \*



Cap mount glass fabrication



**316 Grade Stainless Steel**

# Spider Fixings - Heavy Duty Fittings - up to 27 mm Glass

## CRL Left Hand Single Arm Heavy-Duty Wall/Fin Mount Fitting

- For use with glass up to 27 mm
- Complete with hardware to mount to wall or structural fin
- 316 stainless steel

**Cat. No. FMH1LHBS**

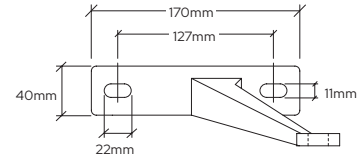
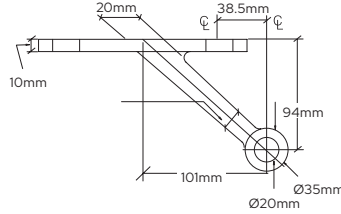
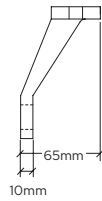
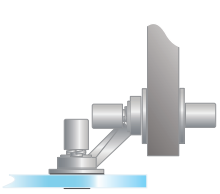
Brushed Stainless

**Cat. No. FMH1LHPS**

Polished Stainless



### HEAVY DUTY FIN MOUNT



## CRL Right Hand Single Arm Heavy-Duty Wall/Fin Mount Fitting

- For use with glass up to 27 mm
- Complete with hardware to mount to wall or structural fin
- 316 stainless steel

**Cat. No. FMH1RHBS**

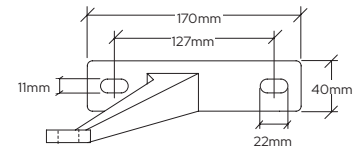
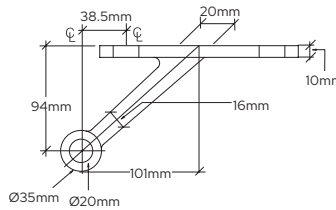
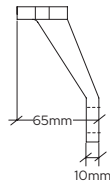
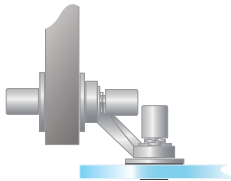
Brushed Stainless

**Cat. No. FMH1RHPS**

Polished Stainless



### HEAVY DUTY FIN MOUNT



## CRL Single Arm Heavy-Duty Wall/Fin Mount Fitting

- For use with glass up to 27 mm thick to attach a single glass panel to a wall or structural fin
- Complete with two threaded studs and two matching cap nuts with washers
- Brushed or polished stainless steel finishes
- 316 stainless steel

**Cat. No. FMH1BS**

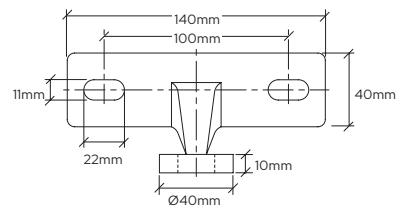
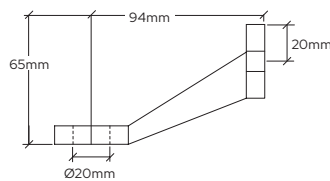
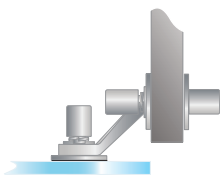
Brushed Stainless

**Cat. No. FMH1PS**

Polished Stainless



### HEAVY DUTY FIN MOUNT



**316 Grade Stainless Steel**

Glass attachments must be ordered separately





# Spider Fixings - Heavy Duty Fittings - up to 27 mm Glass



## CRL Double Arm Heavy-Duty Wall/Fin Mount Fitting

- For use with glass up to 27 mm thick to attach two inline glass panels to a structural fin
- Complete with two threaded studs and two matching cap nuts with washers
- Brushed or polished stainless steel finishes
- 316 stainless steel

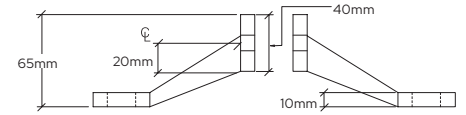
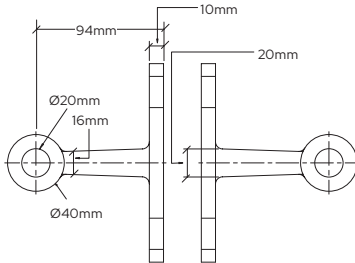
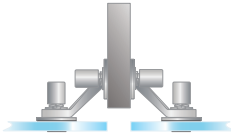
**Cat. No. FMH2BS**

Brushed Stainless

**Cat. No. FMH2PS**

Polished Stainless

### HEAVY DUTY FIN MOUNT



## CRL Double Arm "V" Heavy-Duty Wall/Fin Mount Fitting

- For use with glass up to 27 mm
- Complete with hardware to mount to wall or structural fin
- 316 stainless steel

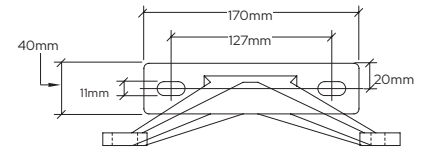
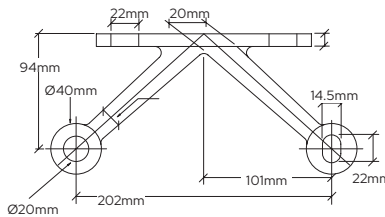
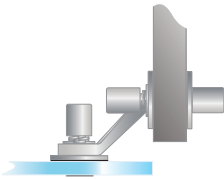
**Cat. No. FMH2VBS**

Brushed Stainless

**Cat. No. FMH2VPS**

Polished Stainless

### HEAVY DUTY FIN MOUNT



## CRL Four Arm "V" Heavy-Duty Wall/Fin Mount Fitting

- For use with glass up to 27 mm thick to attach two inline glass panels to a structural center fin
- Complete with two threaded studs and four matching cap nuts with washers
- Brushed or polished stainless steel finishes
- 316 stainless steel

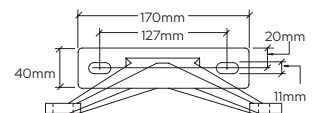
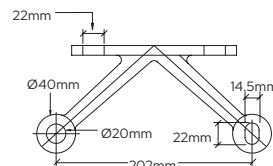
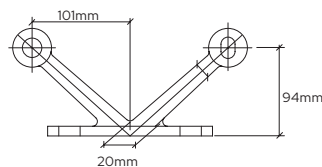
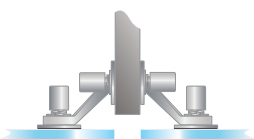
**Cat. No. FMH4BS**

Brushed Stainless

**Cat. No. FMH4PS**

Polished Stainless

### HEAVY DUTY FIN MOUNT



**316 Grade Stainless Steel**

# Spider Fixings - Heavy Duty Fittings - up to 27 mm Glass



## CRL Single Arm Heavy-Duty Post Mount Fitting

- For use with glass up to 27 mm thick to attach a single glass panel to a structural end post
- Complete with hardware to mount to post or column
- Brushed or polished stainless steel finishes
- 316 stainless steel

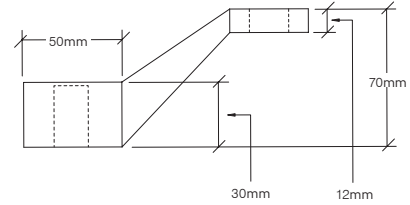
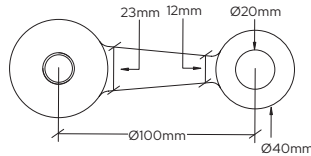
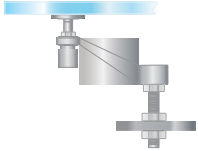
**Cat. No. PMH1BS**

Brushed Stainless

**Cat. No. PMH1PS**

Polished Stainless

### HEAVY DUTY POST MOUNT



## CRL Single Long Arm Heavy-Duty Post Mount Fitting

- For use with glass up to 27 mm
- Complete with hardware to mount to post or column
- 316 stainless steel

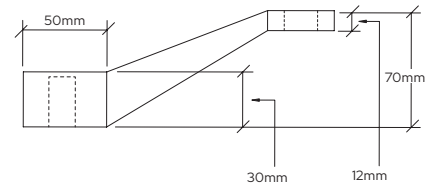
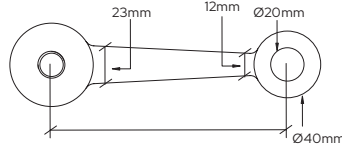
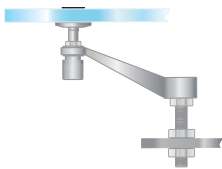
**Cat. No. PMH1LBS**

Brushed Stainless

**Cat. No. PMH1LPS**

Polished Stainless

### HEAVY DUTY POST MOUNT



## CRL Double Arm Heavy-Duty Post Mount Fitting

- For use with glass up to 27 mm thick to attach two inline glass panels to a structural center post
- Complete with hardware to mount to post or column
- Brushed or polished stainless steel finishes
- 316 stainless steel

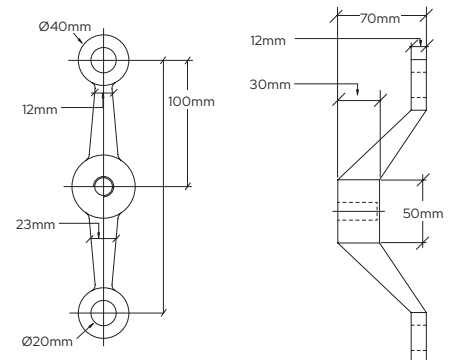
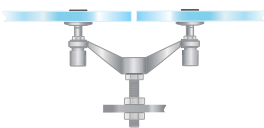
**Cat. No. PMH2BS**

Brushed Stainless

**Cat. No. PMH2PS**

Polished Stainless

### HEAVY DUTY POST MOUNT



**316 Grade Stainless Steel**



Glass attachments must be ordered separately



# Spider Fixings - Heavy Duty Fittings - up to 27 mm Glass



## CRL Double Arm "V" 90 Degree Heavy-Duty Post Mount Fitting

- For use with glass up to 27 mm
- Complete with hardware to mount to post or column
- 316 stainless steel

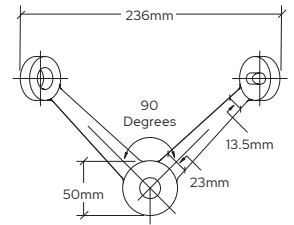
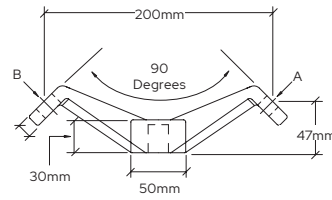
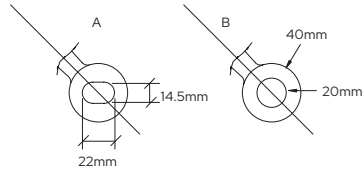
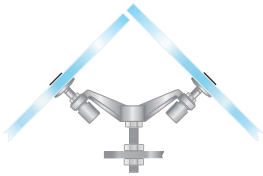
**Cat. No. PMH2V90BS**

Brushed Stainless

**Cat. No. PMH2V90PS**

Polished Stainless

### HEAVY DUTY POST MOUNT



## CRL Three Arm Heavy-Duty Post Mount Fitting

- For use with glass up to 27 mm
- Complete with hardware to mount to post or column
- 316 stainless steel

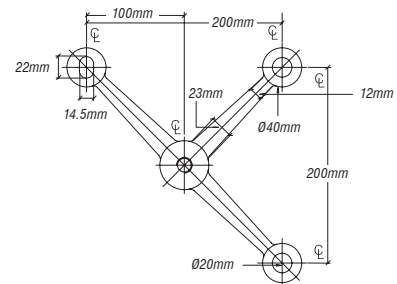
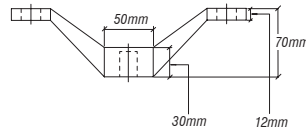
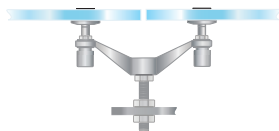
**Cat. No. PMH3BS**

Brushed Stainless

**Cat. No. PMH3PS**

Polished Stainless

### HEAVY DUTY POST MOUNT



**316 Grade Stainless Steel**

# Spider Fixings - Heavy Duty Fittings - up to 27 mm Glass



## CRL Four Arm Heavy-Duty Post Mount Fitting

- For use with glass up to 27 mm thick to attach two inline glass panels to a structural center post
- Complete with hardware to mount to post or column
- Brushed or polished stainless steel finishes
- 316 stainless steel

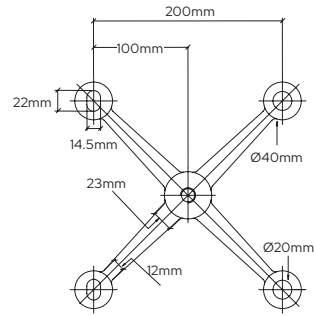
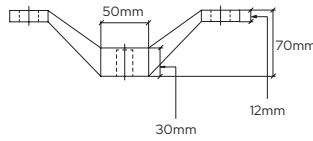
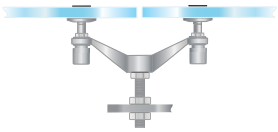
**Cat. No. PMH4BS**

Brushed Stainless

**Cat. No. PMH4PS**

Polished Stainless

**HEAVY DUTY POST MOUNT**



## CRL 4-Way Arm 90 Degree Heavy-Duty Post Mount Fitting

- For use with glass up to 27 mm
- Complete with hardware to mount to post or column
- 316 stainless steel

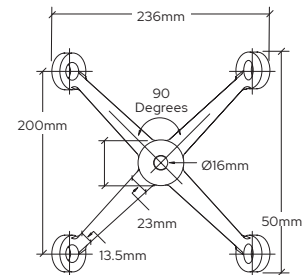
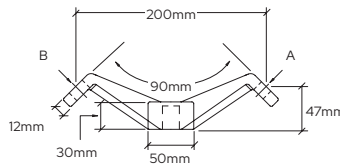
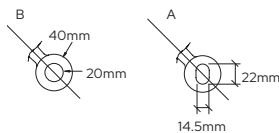
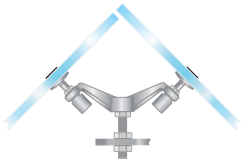
**Cat. No. PMH49OBS**

Brushed Stainless

**Cat. No. PMH49OPS**

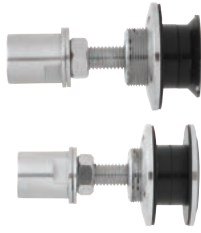
Polished Stainless

**HEAVY DUTY POST MOUNT**



**316 Grade Stainless Steel**

# Spider Fixings



## CRL Rigid Head Combination Glass Attachment

- One fitting for either flush or surface mount installations
- For use with 12 mm to 27 mm toughened or laminated glass
- Typically used only for interior applications
- Can be used with all Heavy-Duty Spider Fittings
- 316 stainless steel

**Cat. No. HRF14BS**

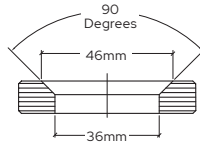
Brushed Stainless

**Cat. No. HRF14PS**

Polished Stainless



### HEAVY DUTY



Flush mount glass fabrication \*



Cap mount glass fabrication



## CRL Swivel Head Combination Glass Attachment

- One fitting for either flush or surface mount installations
- Head can swivel up to 6 degrees in any direction on its ball and socket joint
- For use with 12 mm to 27 mm toughened or laminated glass
- Can be used with all Heavy-Duty Spider Fittings
- 316 stainless steel

**Cat. No. HSF14BS**

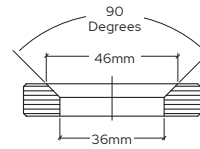
Brushed Stainless

**Cat. No. HSF14PS**

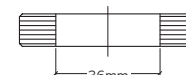
Polished Stainless



### HEAVY DUTY



Flush mount glass fabrication \*



Cap mount glass fabrication



## CRL Brushed Stainless Swivel Heavy Duty Insulating Glass Fastener

- Designed for the "all glass" look
- For use with 32 mm insulated glass unit
- Tilts up to 6 degrees in any direction on its wall and socket joint. This allows for any stress applied to the glass to be more evenly distributed across the entire panel of glass rather than concentrating at the hole
- 316 stainless steel

**Cat. No. HS1GF14BS**

Brushed Stainless

**Cat. No. HS1GF14PS**

Polished Stainless



### HEAVY DUTY



## CRL Brushed Stainless Heavy-Duty Exterior Swivel Fastener

- Designed for the "all glass" look
- For use with 12 mm to 22 mm tempered glass
- 316 stainless steel

**Cat. No. HSFEX14BS**

Brushed Stainless



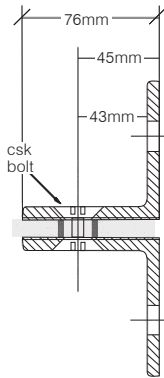
### HEAVY DUTY

**316 Grade Stainless Steel**



## CRL Fin Top/Bottom Shoe Fittings for 19 mm Glass

- Fin Top/Bottom Shoe Fittings are used to connect the glass fins to the structure of the floor or ceiling
- 316 stainless steel



**Cat. No. FTF12BS**  
For Fin Size 305 mm  
Brushed Stainless

**Cat. No. FTF12PS**  
For Fin Size 305 mm  
Polished Stainless

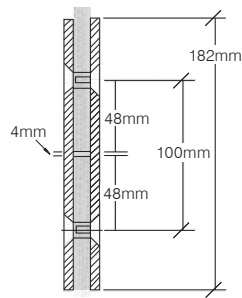
**Cat. No. FTF16BS**  
For Fin Size 406 mm  
Brushed Stainless

**Cat. No. FTF24BS**  
For Fin Size 610 mm  
Brushed Stainless



## CRL Fin Splice Fittings for 19 mm Glass

- Fin Splice Fittings are used to stack multiple pieces of glass to construct extra tall fins used to stabilize the glass facade.
- 316 stainless steel



**Cat. No. FSF12BS**  
For Fin Size 305 mm  
Brushed Stainless

**Cat. No. FSF16BS**  
For Fin Size 406 mm  
Brushed Stainless



## CRL Splice Fitting for Curtainwall Fin

- Use to stabilise glass facade
- For use on 19 mm tempered glass
- Made of 316 alloy stainless steel
- Tested to meet ASTM E283, E331, E330, AAMA 501

**Cat. No. FSFHDBS**  
316 Stainless Steel



## CRL 90 Degree Corner Bracket

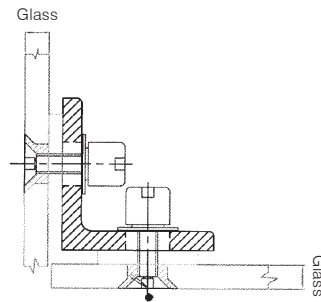
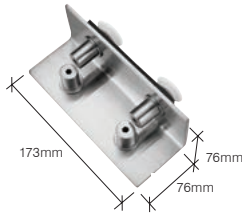
- Used to secure glass at 90 degree corners
- Supplied with four rigid countersunk glass connecting screws
- 316 stainless steel

**Cat. No. CBP90BS**

Brushed Stainless

**Cat. No. CBP90PS**

Polished Stainless



## CRL 135 Degree Corner Bracket

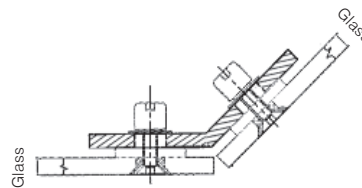
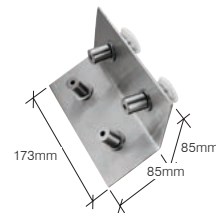
- Used to secure glass at 135 degree corners
- Supplied with four rigid countersunk glass connecting screws
- 316 stainless steel

**Cat. No. CBP135BS**

Brushed Stainless

**Cat. No. CBP135PS**

Polished Stainless



## CRL 2-Way Glass/1-Way Wall Circular Bracket

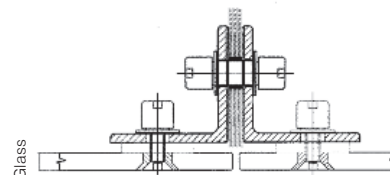
- Used to link two inline panels of glass to a fin support behind
- Used to connect one or two inline panels to a fin support or, when split apart they can be used to connect one panel to a wall
- Supplied with two rigid countersunk glass connecting screws and one fin securing bolt
- 316 stainless steel

**Cat. No. CCB2BS**

Brushed Stainless

**Cat. No. CCB2PS**

Polished Stainless

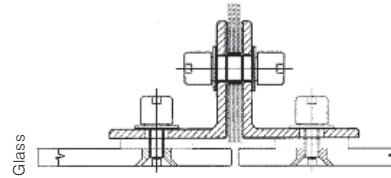
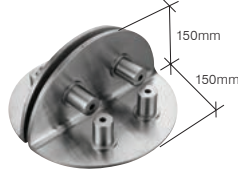




## CRL 4-Way Glass/ 2-Way Wall Circular Bracket

- Used to link two or four inline panels of glass to a fin support behind
- Used to connect two or four inline panels to a fin support or, when split apart they can be used to connect one or two panels to a wall
- Supplied with four rigid countersunk glass connecting screws and two fin securing bolts
- 316 stainless steel

**Cat. No. CCB4BS**  
Brushed Stainless

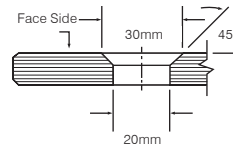
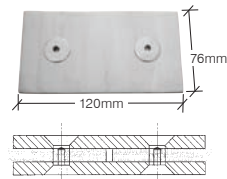


## CRL Link Bracket

- Used to connect two 12 mm inline glass panels together to reduce differential deflection
- Supplied with two glass connecting screws

**Cat. No. CLB1BS**  
Brushed Stainless

**Cat. No. CLB1PS**  
Polished Stainless



## CRL Stainless Steel Sex Bolt

- Countersunk head
- For use with Cat. No. FTF12, FTF16, FTF20, FTF24, FSF12, FSF16, FSF20, FSF24 and CLB1 Fittings and Brackets.
- Sold per package which contains 10 sets

**Cat. No. M8SBSS**  
Brushed Stainless



## CRL Universal Spanner Wrench Kit

- Adjustable universal wrench
- Includes metric and fractional spanner pin sets
- Fits CRL brand Laguna Series brackets and spider fittings to glass
- Quick and efficient method of attaching or loosening spanners

**Cat. No. USW10**





# Online Ordering



## The easiest way to shop at CR Laurence

At [crlaurence.co.uk](http://crlaurence.co.uk) you have 24/7 access to thousands of quality products all just a few clicks away.

With instant access to pricing, stock availability and account information, ordering from CR Laurence has never been easier.

Our home page is regularly updated with the latest offers and newest products so you have the most up to date information at your fingertips.

**It's easy to sign up for access to [crlaurence.co.uk](http://crlaurence.co.uk) but if you do need any assistance please call CRL Customer Services on 00 800 0421 6144.**



Search our product database



Check pricing



Check stock availability

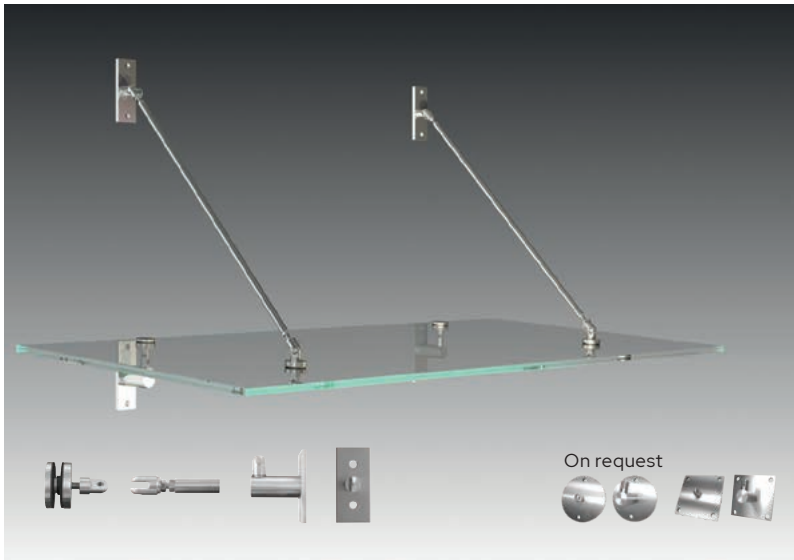


Order 24/7 at [crlaurence.co.uk](http://crlaurence.co.uk)

## CRL Glass Awning Support System



# CRL Glass Awning Support System

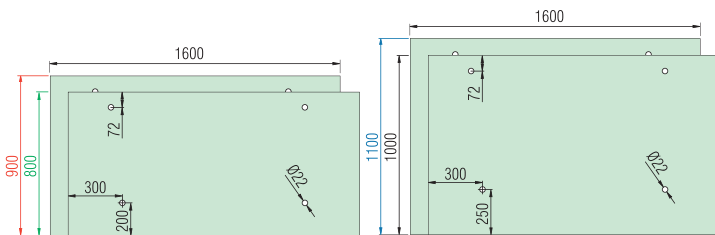


## CRL Glass Awning Support System

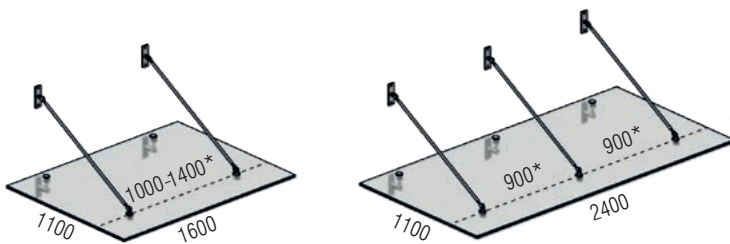
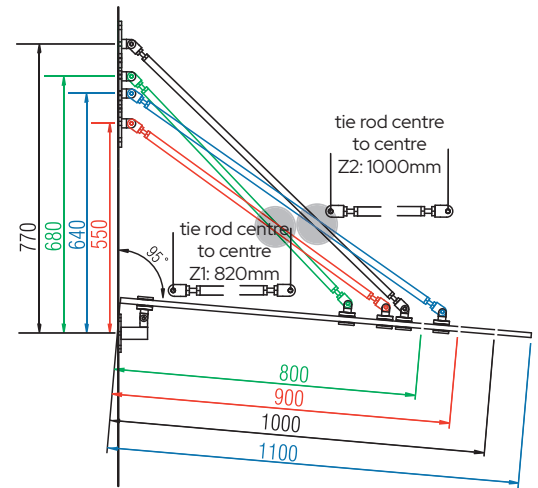
- AbZ Certified
- Sold as set
- AISI 304 Grade Stainless Steel
- Brushed Stainless Steel finish
- Corrosion protection class 2, DIN EN 10088
- Glass thickness range 17.52 mm to 21.52 mm
- Material Grade 316 Stainless Steel available on request

Set consisting of:

- 4 point fittings Ø 45 mm with mounting link
- 2 upper fastening plates
- 2 lower fastening plates
- 2 tie rods with yoke
- without glass



Glass: laminated safety glass consisting of heat strengthened glass with quadruple foil 8/1.52/8mm or 10/1.52/10mm



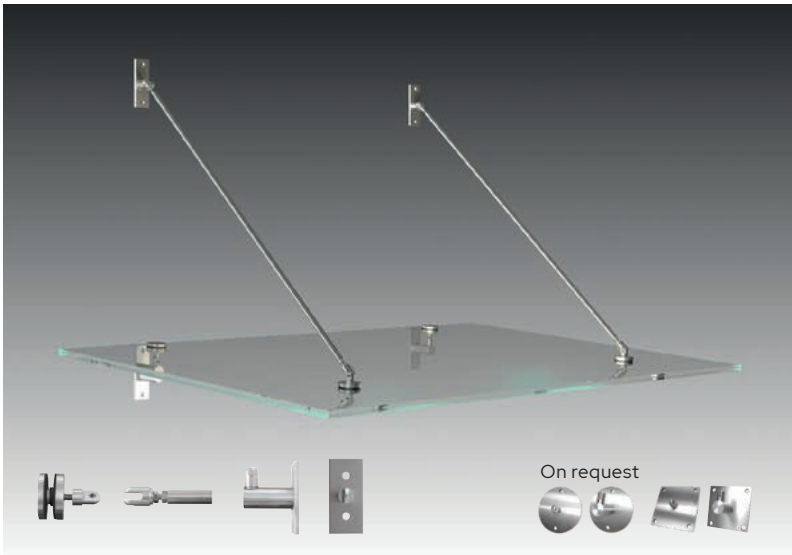
\* max. tie rod distance

Please order for 3ea rod additional CAT.NO. EUGAS9001BS / EUGAS11001BS.

Tie rods	Fittings	Glass thickness	Max. design load
2	4	2 x 8mm	2.16 kN/m <sup>2</sup>
2	4	2 x 10mm	3.43 kN/m <sup>2</sup>
3	6	2 x 8mm	1.84 kN/m <sup>2</sup>
3	6	2 x 10mm	2.95 kN/m <sup>2</sup>

CAT. NO.	FASTENING PLATES	DESCRIPTION	OVERHANG	TIE ROD	CANOPY SLOPE
<b>EUGAS900BS</b>	Rectangular	CRL Awning Kit for 900mm	800 - 900mm	Z1 (820mm)	max. 10°
<b>EUGAS1100BS</b>	Rectangular	CRL Awning Kit for 1100mm	1000 - 1100mm	Z2 (1000mm)	max. 10°
<b>EUGAS9001BS</b>	Rectangular	CRL Awning Half Kit for 900mm	800 - 900mm	Z1 (820mm)	max. 10°
<b>EUGAS11001BS</b>	Rectangular	CRL Awning Half Kit for 1100mm	1000 - 1100mm	Z2 (1000mm)	max. 10°

# CRL Awning Kit for 1300 mm Projection Glass Canopy

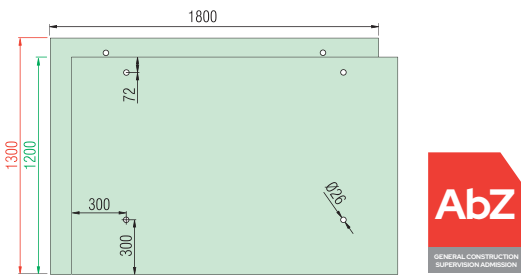


## CRL Glass Awning Support System

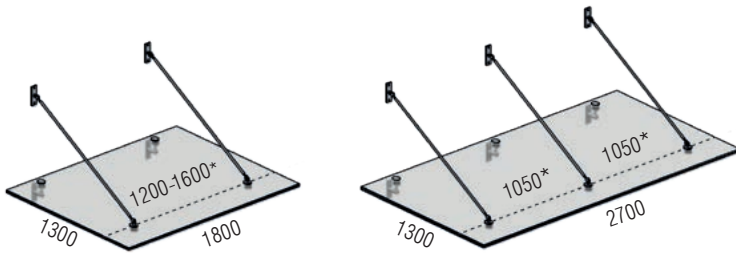
- AbZ Certified
- Sold as set
- AISI 304 Grade Stainless Steel
- Brushed Stainless Steel finish
- Corrosion protection class 2, DIN EN 10088
- Glass thickness range 21.52 mm to 25.52 mm
- Material Grade 316 Stainless Steel available on request

Set consisting of:

- 4 point fittings Ø 60 mm with mounting link
- 2 upper fastening plates
- 2 lower fastening plates
- 2 tie rods with yoke
- Without glass

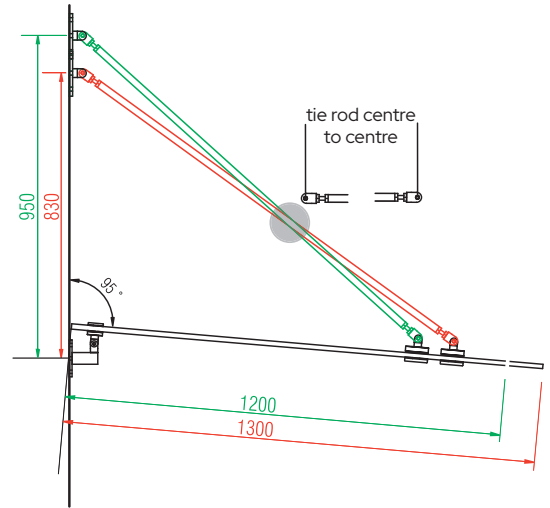


Glass: laminated safety glass consisting of heat strengthened glass with quadruple foil 10/1.52/10mm or 12/1.52/12mm



\* max. tie rod distance

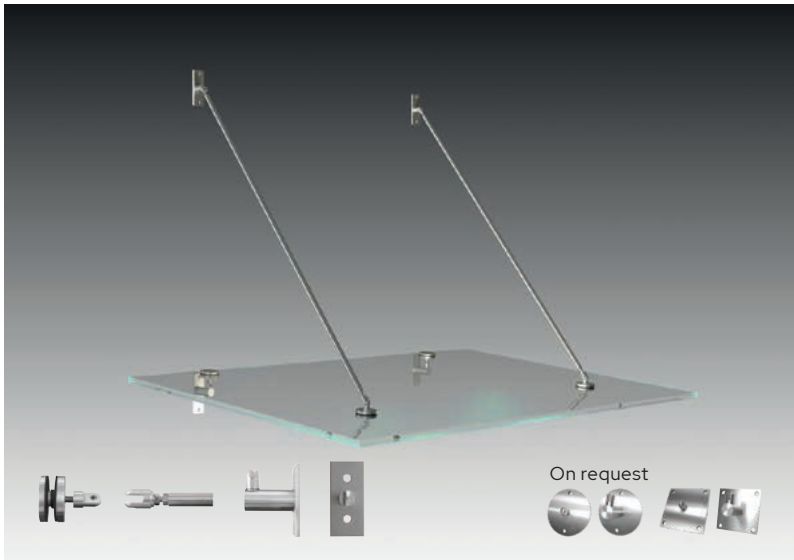
Please order for 3ea rod additional CAT.NO. EUGAS13001BS.



Tie rods	Fittings	Glass thickness	Max. design load
2	4	2 x 10mm	3.01 kN/m <sup>2</sup>
2	4	2 x 12mm	4.43 kN/m <sup>2</sup>
3	6	2 x 10mm	2.55 kN/m <sup>2</sup>
3	6	2 x 12mm	3.89 kN/m <sup>2</sup>

CAT. NO.	FASTENING PLATES	DESCRIPTION	OVERHANG	TIE ROD	CANOPY SLOPE
EUGAS1300BS	Rectangular	CRL Awning Kit for 1300mm	1200 - 1300mm	Z3 (1250mm)	max. 10°
EUGAS13001BS	Rectangular	CRL Awning Half Kit for 1300mm	1200 - 1300mm	Z3 (1250mm)	max. 10°

# CRL Awning Kit for 1600/2000 mm Projection Glass Canopy

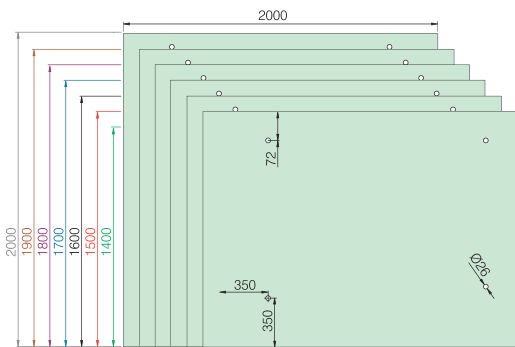


## CRL Glass Awning Support System

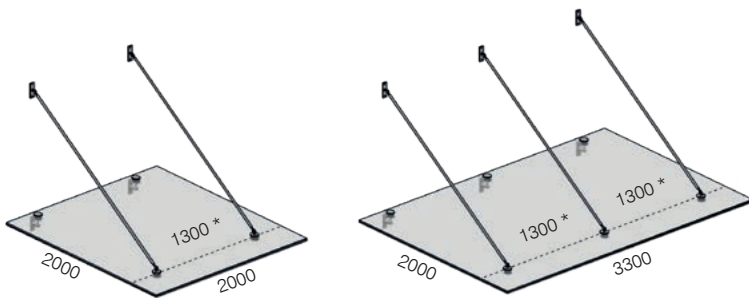
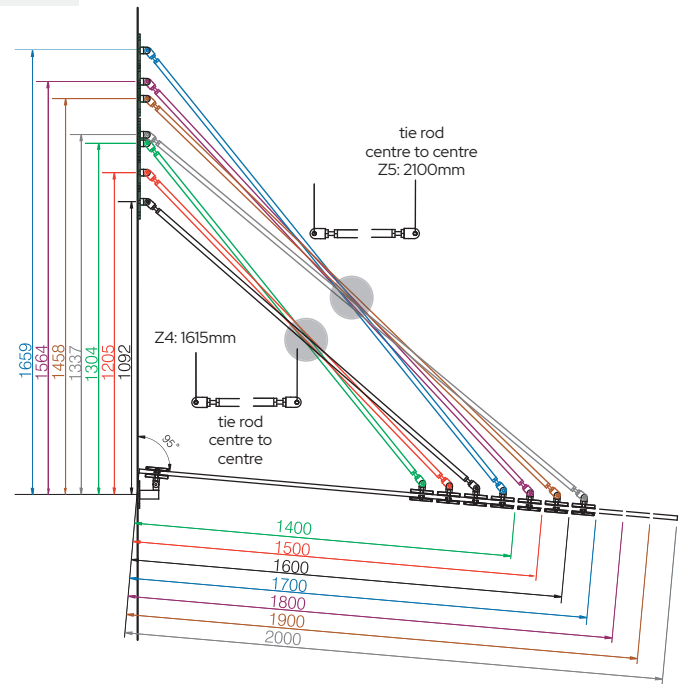
- AbZ Certified
- Sold as set
- AISI 304 Grade Stainless Steel
- Brushed Stainless Steel finish
- Corrosion protection class 2, DIN EN 10088
- Glass thickness range 21.52 mm to 25.52 mm
- Material Grade 316 Stainless Steel available on request

Set consisting of:

- 4 point fittings Ø 80 mm with mounting link
- 2 upper fastening plates
- 2 lower fastening plates
- 2 tie rods with yoke
- Without glass



Glass: laminated safety glass consisting of heat strengthened glass with quadruple foil 10/1.52/10mm or 12/1.52/12mm



\* max. tie rod distance

Please order for 3ea rod additional CAT.NO. EUGAS16001BS / EUGAS20001BS.

Tie rods	Fittings	Glass thickness	Max. design load
2	4	2 x 10mm	2,07 kN/m <sup>2</sup>
2	4	2 x 12mm	3,09 kN/m <sup>2</sup>
3	6	2 x 10mm	1,27 kN/m <sup>2</sup>
3	6	2 x 12mm	1,83 kN/m <sup>2</sup>

CAT. NO.	FASTENING PLATES	DESCRIPTION	OVERHANG	TIE ROD	CANOPY SLOPE
<b>EUGAS1600BS</b>	Rectangular	CRL Awning Kit for 1600mm	1400 - 1600mm	Z4 (1615mm)	max. 10°
<b>EUGAS2000BS</b>	Rectangular	CRL Awning Kit for 2000mm	1700 - 2000mm	Z5 (2100mm)	max. 10°
<b>EUGAS16001BS</b>	Rectangular	CRL Awning Half Kit for 1600mm	1400 - 1600mm	Z4 (1615mm)	max. 10°
<b>EUGAS20001BS</b>	Rectangular	CRL Awning Half Kit for 2000mm	1700 - 2000mm	Z5 (2100mm)	max. 10°

# CRL Glass Awning Support System



## Offer protection from the weather without obstructing the view

The CRL Glass Awning Support System will give any entrance an uncomplicated, graceful look, enhancing the design of any building.

With the use of toughened laminated glass you can add a range of glass colours, textures, and special effects not available with typical monolithic glass. This complements and enhances the design of any building.

The use of eye and fork connections makes the installation of our Awning System quick and easy. The Connecting Rods are designed to make field adjustments on varying job conditions a snap. All components are 316 alloy stainless steel for durability in even the harshest of environments.

- High grade 316 stainless steel for durability in even the harshest of environments
- Complete hardware system for 13.52 mm toughened laminated glass awnings
- Provides protection from the weather without obstructing the view
- Adjustable slope for most weather conditions
- All high grade 316 alloy stainless steel components for panel sizes up to 1219 mm wide and 1829 mm long with two rods and mounting kits
- Easy installation

## System Components

Stainless Steel Mounts (A and B) and Pivots (C) are contained in the GAS190BS Mounting Kit. Order Connecting Rods (D) to suit panel width and application conditions. These are contained in GAS137BS, GAS145BS and GAS154BS.

NOTE: Glass panel not included.



## Specifications

**Material:** All 316 alloy stainless steel construction.

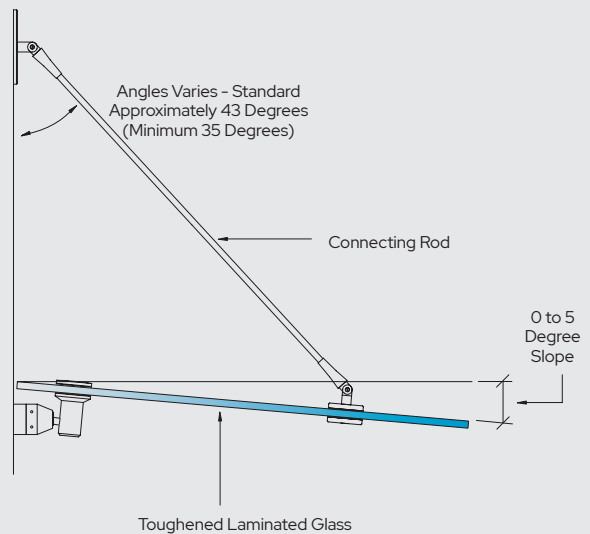
**Typical Panel:** 13.52 mm thick toughened laminated glass comprised of 6mm toughened glass, 1.52 mm interlayer, and 6 mm toughened glass.

**Glass Fabrication Required:**

Two 16 mm and two 27 mm diameter holes per panel.

**Ordering Tip:** Though sold individually, two Connecting Rods and two Mounting Kits are required for each panel.

See [crlaurence.co.uk](http://crlaurence.co.uk) for glass fabrication details



**316 Grade Stainless Steel**

# CRL Langle Mounting Kit



## CRL Langle mounting kit

- Oval top mounting bracket and pivot for edge of glass furthest from building are connected by one of three available rod lengths.
- Bottom Mount and Pivot are connected to each other to support edge of glass nearest the building.
- High grade 316 stainless steel for durability in even the harshest of environments
- Complete hardware system for 13.52 mm toughened laminated glass awnings
- Provides protection from the weather without obstructing the view
- Adjustable slope for most weather conditions
- All high grade 316 alloy stainless steel components for panel sizes up to 1219 mm wide and 1829 mm long with two rods and mounting kits
- Easy installation allows an economical and elegant solution for both commercial and residential applications

Cat. No. GAS190BS

## CRL Connecting Rods

- CRL Langle glass awning system connecting rod for panels

Cat. No. GAS137BS

CRL Langle 940 mm glass awning system connecting rod for 914 mm wide panels

Cat. No. GAS145BS

CRL Langle 1143 mm glass awning system connecting rod for 1067 mm wide panels

Cat. No. GAS154BS

CRL Langle 1372 mm glass awning system connecting rod for 1219 mm wide panels



940mm (±16mm)



1143mm (±16mm)



1371mm (±16mm)

## CRL Double Plate Glass Awning Pivot

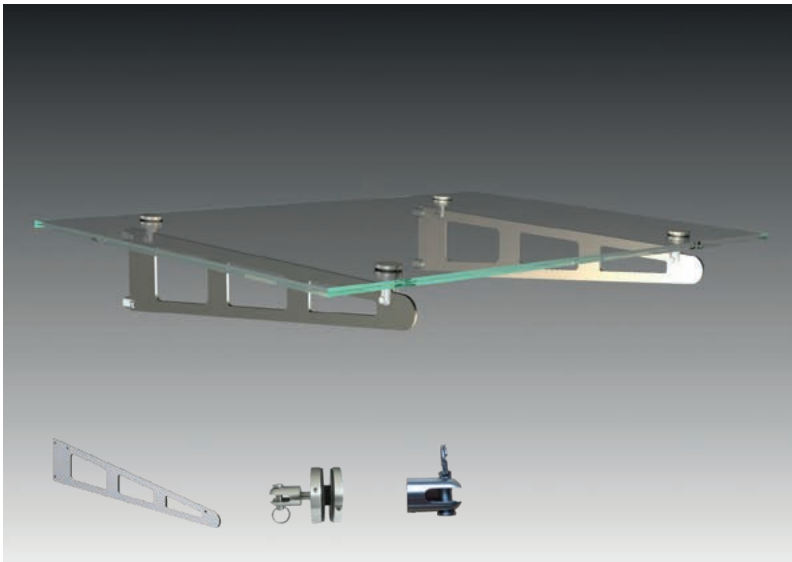
Cat. No. GAS122BS

This CRL Double Plate Glass Awning Pivot is for use with our Glass Awning System Support Rods. The Pivot allows for two awning panels to be attached in-line using only one Tension Rod at the connection point instead of two.

- Fabricated from 316 alloy stainless steel
- Available in brushed or polished stainless
- Complete hardware system for 13.52 mm toughened laminated glass awnings
- Provides protection from the weather without obstructing the view
- Adjustable slope for most weather conditions
- All high grade 316 alloy stainless steel components for panel sizes up to 1219 mm wide and 1829 mm long with two rods and mounting kits
- Easy installation allows an economical and elegant solution for both commercial and residential applications



# CRL Awning Brackets for Glass Canopy

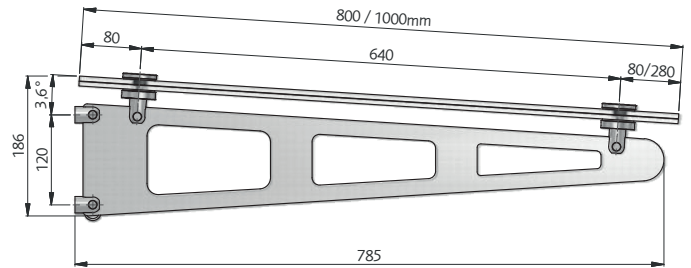
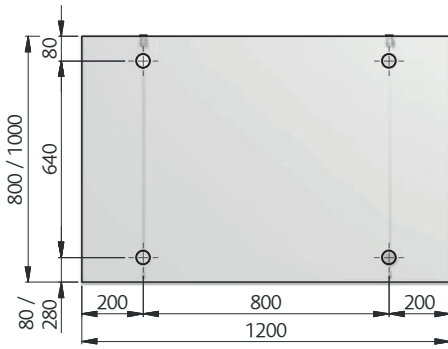


## CRL Awning Bracket Set for Glass Canopy

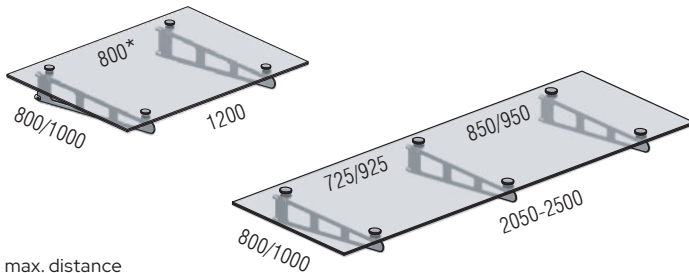
- Proven static available
- Corrosion protection class 2, DIN EN 10088
- Glass thickness range 13.52 mm to 17.52 mm

Set consisting of:

- 2 blades
- 4 point fittings Ø 60 mm with yoke
- Without glass



Glass: laminated safety glass consisting of heat strengthened glass with quadruple foil 6/1.52/6 mm or 8/1.52/8 mm



\* max. distance

Blades	Overhang	Glass thickness	CRL Awning Brackets for 774mm
2	800	2 x 6mm	1.98 kN/m <sup>2</sup>
2	800	2 x 8mm	4.14 kN/m <sup>2</sup>
2	1000	2 x 6mm	1.34 kN/m <sup>2</sup>
2	1000	2 x 8mm	2.70 kN/m <sup>2</sup>
3	800 x 2300	2 x 6mm	1.50 kN/m <sup>2</sup> (850)
3	800 x 2500	2 x 8mm	2.00 kN/m <sup>2</sup> (950)
3	1000 x 2050	2 x 6mm	1.50 kN/m <sup>2</sup> (725)
3	1000 x 2450	2 x 8mm	1.50 kN/m <sup>2</sup> (925)

\*\* max. charact. load

CAT. NO.	DESCRIPTION	OVERHANG	BLADE	OVERHANG	CANOPY SLOPE	MATERIAL
EUGAB1000BS	CRL Awning Brackets for Glass Canopy - Set	Ø 60mm	785mm	800-1000mm	max. 3.6°	304 grade Stainless Steel
EUGAB10001BS	CRL Awning Brackets for Glass Canopy - Single Arm	Ø 60mm	785mm	800-1000mm	max. 3.6°	304 grade Stainless Steel
EUGAB1000BS6	CRL Awning Brackets for Glass Canopy - Set	Ø 60mm	785mm	800-1000mm	max. 3.6°	316 Grade Stainless Steel
EUGAB10001BS6	CRL Awning Bracket for Glass Canopy - Single Arm	Ø 60mm	785mm	800-1000mm	max. 3.6°	316 Grade Stainless Steel



## CRL Awning Single Components



### You may also need...

	CAT. NO.	OPTION	DESCRIPTION
	EUGAS45PF EUGAS60PF EUGAS80PF	Ø 45mm Ø 60mm Ø 80mm	Point fitting with link
	EUGAS820ROD EUGAS1000ROD EUGAS1250ROD EUGAS1615ROD EUGAS2100ROD	Z1 820mm (Small) Z2 1000mm (Small) Z3 1250mm (Medium) Z4 1615mm (Large) Z5 2100mm (Large)	Tie rod with yoke
	EUGASU	Rectangular	Upper fastening plate
	EUGASL	Rectangular	Lower fastening plate
	EUGASRDU	Round	Upper fastening plate
	EUGASRDL	Round	Lower fastening plate
	EUGASSQU	Square	Upper fastening plate
	EUGASSQL	Square	Lower fastening plate
	EUGASWRENCH45 EUGASWRENCH80	Ø 45 - 60mm Ø 80mm	Hook wrench for point fittings
	EUGAS45DPF	Ø 45mm Ø 60mm	Point fitting with spider 200 - glass connector for lower fastening plate and tie rod

## CRL Glass Awning Wall Mounted Brackets



### Glass Awning Support System

These universal wall mounted glass awning brackets have really become popular, not just for their looks but also their versatility.

- Used on flat or curved top segmented glass
- Fabricated from 304 alloy stainless steel
- Available in brushed or polished stainless
- Custom angles or 45 degree corner brackets are available on special order
- Requires 13.52 mm thick toughened laminated glass



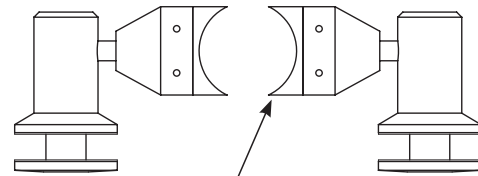
# CRL Glass Awning Wall Mounted Brackets

## CRL Double Arm Fixed Fitting Set

- Fabricated from 316 alloy stainless steel
- Available in brushed or polished stainless

**Cat. No. RB50FBS**  
Brushed Stainless

**Cat. No. RB50FPS**  
Polished Stainless



### Fixed Fitting

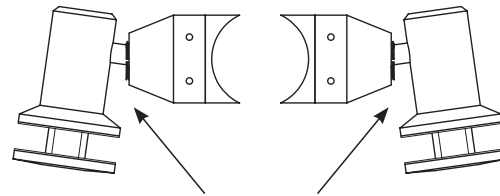
Designed for mounting to 38mm schedule 40 post, column, or flat wall.

## CRL Double Arm Swivel Fitting Set

- Fabricated from 316 alloy stainless steel
- Available in brushed or polished stainless

**Cat. No. RB50SBS**  
Brushed Stainless

**Cat. No. RB50SPS**  
Polished Stainless



### Swivel Fitting

Designed for segment applications. Each Swivel Fitting is adjustable up to 8 degrees.

# Cleaning and Surface Protection

## Benefits of 6K



2 stage process



Non irritant



UV stable for long life



Large coverage



Abrasion resistant



Hydrophobic protection



Permanent bond



STAGE ONE  
PRE-CLEAN

### CRL 6K Hydrophobic Surface Protection System for Glass and Stainless Steel

- Stage one - Pre-clean
- Non-irritant
- UV stable for long life
- Abrasion resistant
- Hydrophobic protection
- Recommended for use with Pre-Clean Cloth (red)

**Cat. No. PC6010** 100 ml  
**Cat. No. PC6025** 250 ml  
**Cat. No. PC6050** 500 ml  
**Cat. No. PC6100** 1 Litre



STAGE TWO  
PROTECT

### CRL 6K Hydrophobic Surface Protection System for Glass and Stainless Steel

- Stage two - Protect
- Non-irritant
- UV stable for long life
- Abrasion resistant
- Hydrophobic protection
- Recommended for use with Protect Cloth (blue)

**Cat. No. 6K6010** 100 ml  
**Cat. No. 6K6025** 250 ml  
**Cat. No. 6K6050** 500 ml  
**Cat. No. 6K6100** 1 Litre



### CRL Pre-Clean Cloth for the 6K Hydrophobic Surface Protection System

- To be used with CRL6K Pre-clean products

**Cat. No. PCCLOTH**  
Red - Pre clean



### CRL Protect Cloth for the 6K Hydrophobic Surface Protection System

- To be used with CRL6K Protect products

**Cat. No. 6KCLOTH**  
Blue - Protect



### CRL 6K Aftercare Glass Cleaner

- Non-silicone based glass cleaner
- Leaves glass clear and smear-free
- Ideal for shower screens

**Cat. No. AC6050**  
500 ml

# Cleaning and Surface Protection



## CRL Cleaner and Degreaser

Cat. No. EUCRL7528

- Contains no ozone depleting chemicals
- Evaporates quickly
- Cleans surfaces for UV adhesives
- Removes all traces of grease and oils and leaves no residue
- Big 660 ml cans



## CRL Refresh - Stainless Steel Refresher/Cleaner

Cat. No. CRLSSR010

100 ml

Cat. No. CRLSSR025

250 ml

- Semi-permanent anti-finger print effect and stain elimination
- Removes grease and finger prints
- Coats the surface to help conceal against further every day marking
- Can be used as a cleaner (for pre-cleaning) and coating (for overlaying stains)
- For structured or brushed stainless steel



## CRL Stainless Steel Cleaner

Cat. No. CRLSSC600

600 ml

- Cleans and polishes stainless steel
- Food Safe – Ideal for use in food preparation areas
- Excellent for restoring shine to railings, shop cabinets, lift doors and stainless steel equipment
- Helps retain surface gloss
- Ideal for plastic and chrome surfaces



## CRL Glass and Mirror Cleaner

Cat. No. EB1701

660 ml can

Cat. No. EB1701T

1 litre spray bottle

- A long time favourite of the glass industry
- Pleasant aroma
- 12 cans per case
- May be purchased with your label on can (Cat. No. 1702L).
- Non-smear fast acting
- Spray on wipe off brilliant finish



## CRL Lint Free Glass Wipes

Cat. No. BX15

1 Box

Cat. No. 1550

6 Boxes

- Strong, four-ply white paper wipes are virtually lint-free
- Reinforced nylon scrim in both directions so they work great wet or dry
- Six of these pop-up boxes are in each case of 1550
- Convenient pop-up dispenser box



### CRL Neutral Cure Low Modulus Silicone - High Grade 100% Silicone Formula

- Low odour, neutral cure formula
- Compatible with insulating glass glazing
- Excellent adhesion to most surfaces
- Low modulus
- High quality formula - low shrinkage
- 300 ml cartridge
- 12 per case

- Cat. No. EURTV408C**  
Clear
- Cat. No. EURTV408W**  
White
- Cat. No. EURTV408BL**  
Black
- Cat. No. EURTV408G**  
Grey
- Cat. No. EURTV408A**  
Anthracite



### CRL EG310ULTRA Complete Adhesive

- MS polymer based
  - Super-fast bonding of mirrors, glass, wood, composite panels, and metal, to a range of substrates
  - Neutral curing and odourless
  - Cures with atmospheric moisture
  - Free of silicone and isocyanides
  - 1cm<sup>2</sup> has a 20 kg holding capacity
  - 290 ml cartridge
- Please refer to instruction guidelines, see [crlaurence.co.uk](http://crlaurence.co.uk)

**Cat. No. EG310ULTRA**  
White Colour



### CRL Standard Smooth Rod Caulking Gun

- Thumb pressure release button
- Perfect for low viscosity materials

**Cat. No. ER3**



### CRL Sealant Finishing Tool

- Lightweight and flexible, simplifies tooling of sealants
- Titanium catalyst material will not stick to silicone or other sealants
- 83 mm x 89 mm x 5 mm

**Cat. No. 55BSS**



### CRL Kwixset® Expanding Cement

- Suitable for exterior and interior applications
- Great for setting core mount stanchions for vertical posts
- Fast setting, will not shrink or crack when used as directed
- CRL recommends consulting with the glass fabricator prior to wet setting laminated tempered glass
- Easy to install

**Cat. No. KWX25**  
11.3 kg

**Cat. No. KWX50**  
22.7 kg



### CRL Chemical Anchor System

- The strongest way to fit standoffs
- Odour free
- Sets harder than concrete
- Suitable for all substrates

**Cat. No. EUCA300**  
Resin

**Cat. No. EUCANOZZLE**  
Nozzle

**Cat. No. EUCAPUMP**  
Pump

**Cat. No. EUCASLEEVE**  
Sleeve

## CRL Accessories



Best seller

### CRL S338 Sure-Grip 203 mm Vacuum Lifter

Cat. No. S338

- Greatest lifting capacity of any 203 mm pump activated vacuum lifter
- One hand pump and attachment for safety when needed
- Superior "press and pump" attachment feature
- Red-line indicator warns user of any vacuum loss
- Built-in vacuum loss indicator
- Soft contoured sure-grip handle for comfort
- Sturdy moulded carrying case
- Superior 68 kg lifting capacity



### CRL Wood's Powr-Grip® 203 mm ABS Handle Vacuum Cup

Cat. No. N4000

- 203 mm diameter pad
- Check valve allows re-pumping without loss of remaining vacuum
- Release valve lever permits quick and complete release
- Red-line indicator warns user of any vacuum loss
- 57 kg lifting capacity



### CRL Wood's Powr-Grip® 203 mm Vacuum Cup

Cat. No. N4950

- 203 mm diameter pad
- Check valve allows re-pumping without loss of remaining vacuum
- Release valve lever permits quick, complete release
- Red-line indicator warns user of any vacuum loss
- 57 kg lifting capacity
- Metal handle



### CRL Aluminium Double Pad Vacuum Lifter

Cat. No. 05062

- 114 mm diameter pads
- Sturdily built traditional design aluminium frame
- Each suction pad operates separately
- 60 kg lifting capacity



### CRL Standard Vinyl Roller Tool

Cat. No. VR04  
279 mm

- Ideal for inserting all types of flat spline and roll-in gaskets
- Made from solid aluminium with a hard coat anodised finish
- Knurl diamond grip and a ball bearing wheel

Cat. No. VR17  
432 mm



### CRL Glasstrax Glass Dolly

Cat. No. GT02

- Self clamping action locks loads up to 50.8 mm thick
- One person can load and manoeuvre
- Safe glass transport with large 272 kg capacity



Included

### CRL All Terrain Dolly

Cat. No. ATD1

- Ideal for moving heavy glass panels around the job site
- Goes where other glass dollies won't
- Built-In 203 mm Wood's™ Powr-Grip® Vacuum Cup
- Includes a set of our RB200 Roller Blocks
- Exclusive to CRL
- Frame in solid aluminium
- 181 kg load capacity

## **C. R. Laurence of Europe**

Call FREE on 00 800 0421 6144

### **Manchester**

Charles Babbage Avenue  
Kingsway Business Park,  
Rochdale, OL16 4NW, England  
Tel: +44 (0)1706 863 600  
Fax: +44 (0)1706 869 860  
[crlaurence.co.uk](http://crlaurence.co.uk)

### **Stuttgart**

Boschstrasse 7  
D-74360 Ilsfeld  
Germany  
Tel: +49 (0) 7062 915 93 15  
Fax: +49 (0) 7062 915 93 16  
[crl.eu](http://crl.eu)